

DISPLAY Elektronik GmbH

DATA SHEET

LCD MODULE

DEM 800480Z3 VMX-PW-N

Product Specification

Version:2

24.03.2021

CONTENTS

1. GENERAL SPECIFICATIONS..... 2

2. EXTERNAL DIMENSIONS 3

3. BLOCK DIAGRAM 4

4. PIN ASSIGNMENT 5

5. OPTICAL CHARACTERISTICS 7

6. ABSOLUTE MAXIMUM RATINGS 10

7. ELECTRICAL CHARACTERISTICS 10

8. TIMING CHARACTERISTICS..... 11

9. RELIABILITY TEST 12

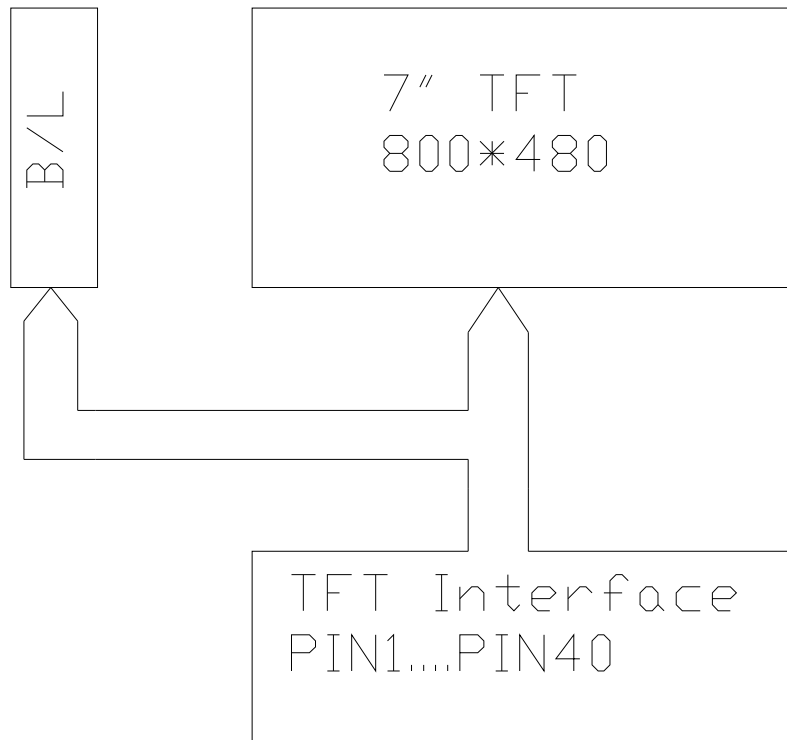
10. LCD MODULES HANDLING PRECAUTIONS..... 13

11. OTHERS 13

1. GENERAL SPECIFICATIONS

ITEM	STANDARD VALUE	UNIT
LCD TYPE	TFT/IPS/ NORMALLY BLACK/TRANSMISSIVE	
MODULE SIZE	165.80 x 109.96 x3.50	mm
ACTIVE AREA	152.40 x 91.44	mm
PIXEL PITCH (W*H)	0.1905 x 0.1905	
NUMBER OF PIXELS	800 x 480	
DRIVER IC	HX8249-A02+HX8678-C01	
INTERFACE TYPE	RGB	
RECOMMEND VIEWING DIRECTION	ALL	O'clock
GRAY SCALE INVERSION DIRECTION	-	O'clock
COLORS	16.7 MILLION	
BACKLIGHT TYPE	27-DIES WHITE LED	
TOUCH PANEL TYPE	WITHOUT	

3. BLOCK DIAGRAM



4. PIN ASSIGNMENT

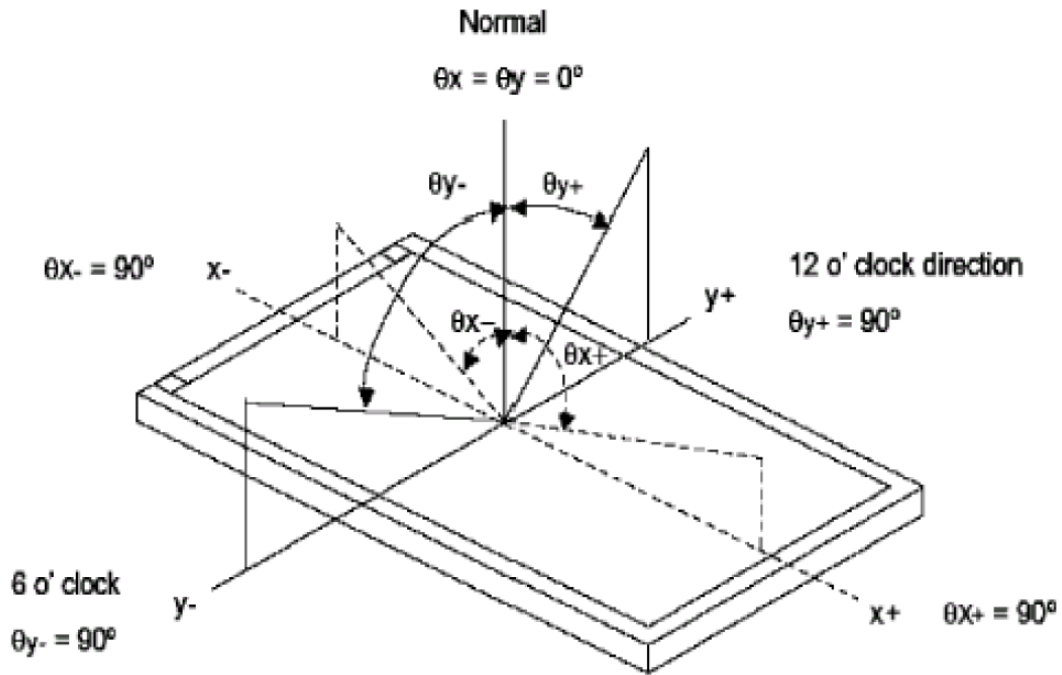
PIN NO.	SYMBOL	DESCRIPTION
1	K	LED Cathode
2	A	LED Anode
3	GND	Power ground
4	VDD	Power supply
5	R0	Red data
6	R1	Red data
7	R2	Red data
8	R3	Red data
9	R4	Red data
10	R5	Red data
11	R6	Red data
12	R7	Red data
13	G0	Green data
14	G1	Green data
15	G2	Green data
16	G3	Green data
17	G4	Green data
18	G5	Green data
19	G6	Green data
20	G7	Green data
21	B0	Blue data
22	B1	Blue data
23	B2	Blue data
24	B3	Blue data
25	B4	Blue data
26	B5	Blue data
27	B6	Blue data
28	B7	Blue data
29	GND	Power ground
30	CLK	Clock signal
31	STBYB	Standby mode, normally pulled high. STBYB = "1", normal operation STBYB = "0", timing controller, source driver will turn off, all output are High-Z

32	HS	Horizontal sync signal; negative polarity
33	VS	Vertical sync signal; negative polarity
34	DEN	Data input enable
35	NC	Not connection
36	GND	Power ground
37	NC	Not connection
38	NC	Not connection
39	NC	Not connection
40	NC	Not connection

5. OPTICAL CHARACTERISTICS

ITEM	SYMBOL	CONDITIONS	SPECIFICATIONS			UNIT	NOTE
			MIN	TYP.	MAX		
Luminance	L		400	500	-	cd/m ²	
Contrast Ratio	CR	$\theta = 0^\circ$	800	1000			
Response Time	Rising	T _R	25°C $\theta = 0^\circ$	25	30	ms	
	Falling	T _F					
CIE COLOUR COORDINATE	RED	XR	CR ≥ 10				
		YR					
	GREEN	XG					
		YG					
	BLUE	XB					
		YB					
	WHITE	XW		-0.015	0.312	0.015	
		YW		-0.015	0.338	+0.015	
VIEWING ANGLE	Hor.	θ_{x+}	CR ≥ 10	78	80	Degree	
		θ_{x-}		78	80		
	Ver.	θ_{y+}		78	80		
		θ_{y-}		78	80		

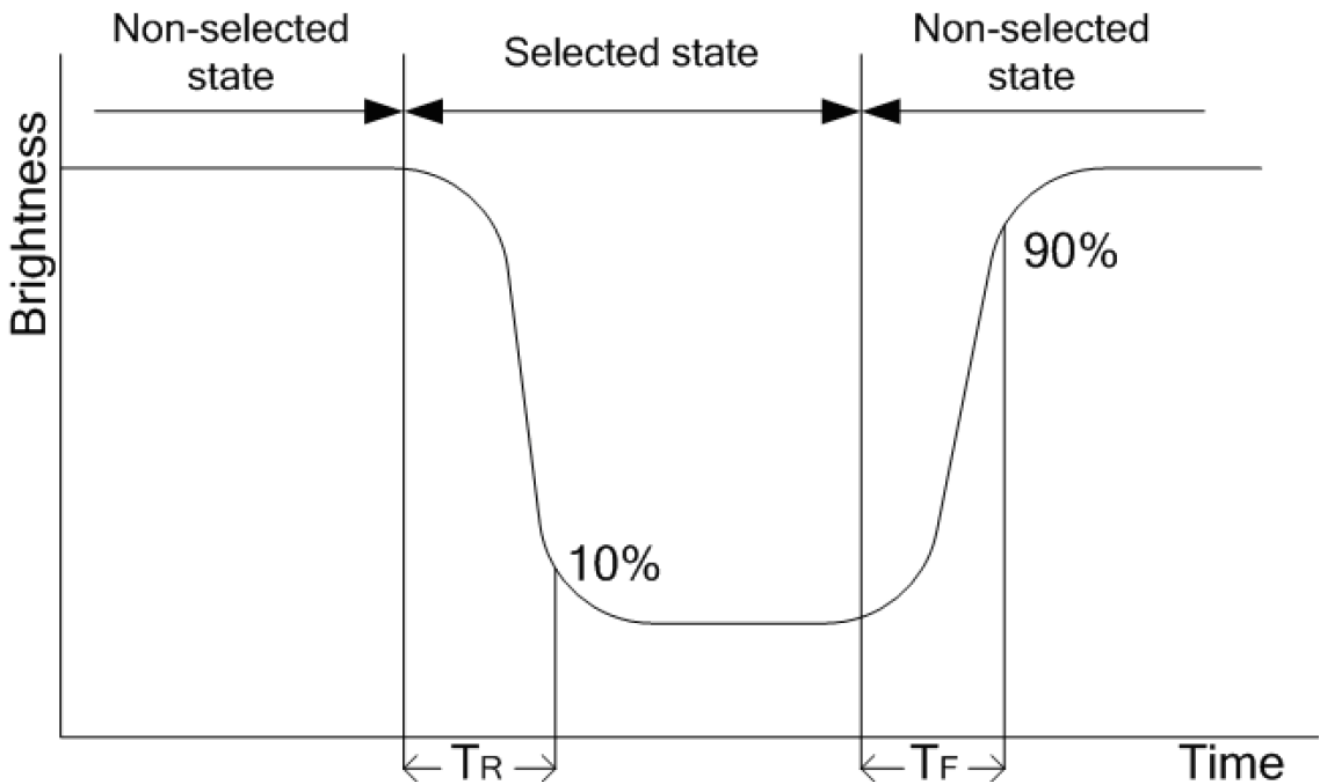
Note 1 : Definition of Viewing Angle θ_x and θ_y :



Note 2: Definition of contrast ratio CR:

$$CR = \frac{\text{Brightness of non-selected dots (white)}}{\text{Brightness of selected dots (black)}}$$

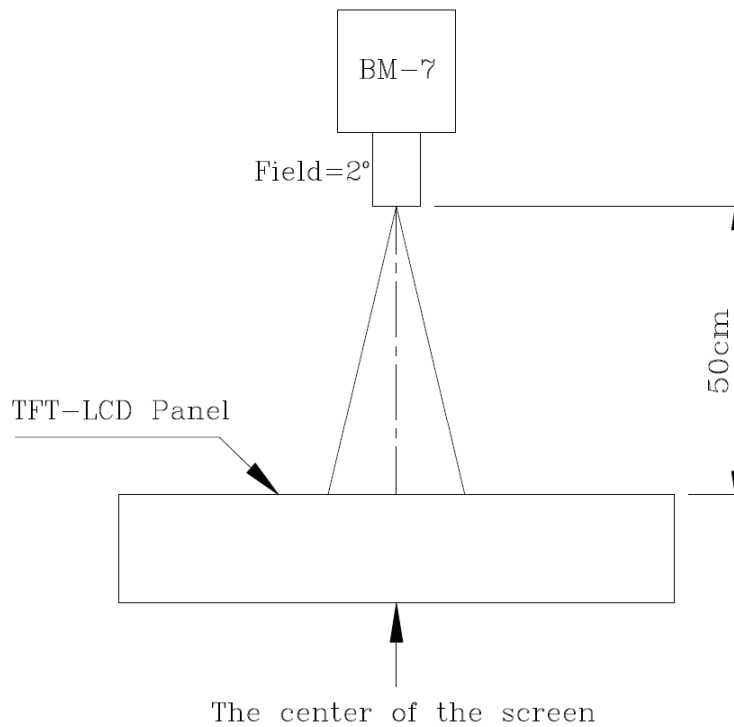
Note 3: Definition of response time (T_R , T_F)



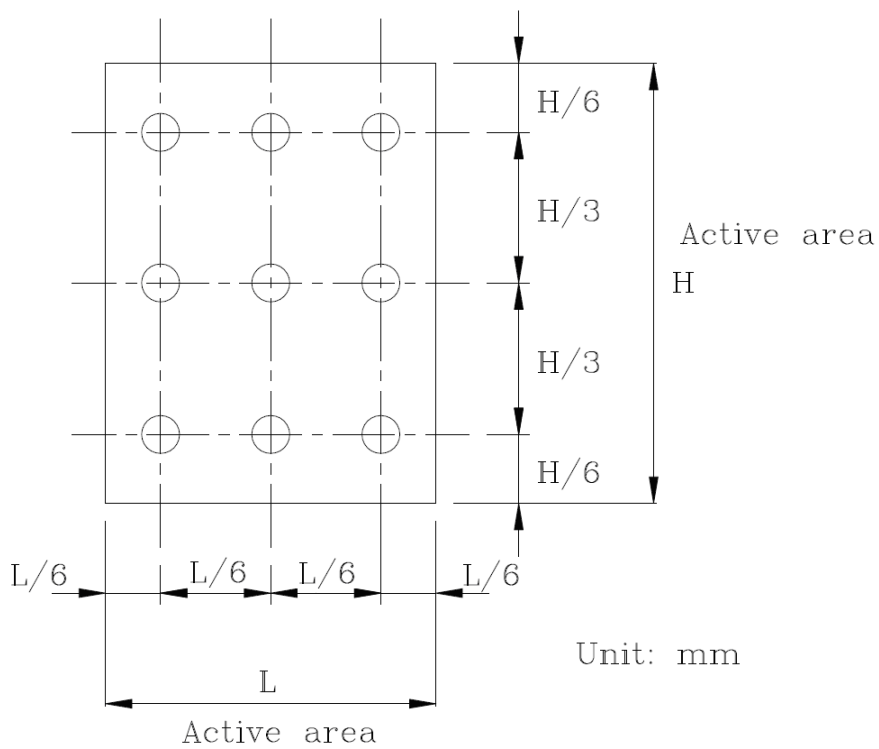
Note 4: Definition of Luminance

① The Brightness Test Equipment Setup

Field=2° (As measuring “black” image, field=2° is the best testing condition)



② The Brightness Test Point Setup



6. ABSOLUTE MAXIMUM RATINGS

PARAMETER	SYMBOL	MIN	MAX	UNIT
Power Supply Voltage	VDD	-0.5	4.0	V
Operating Temperature	Top	-30	+85	°C
Storage Temperature	Tst	-30	+85	°C

7. ELECTRICAL CHARACTERISTICS

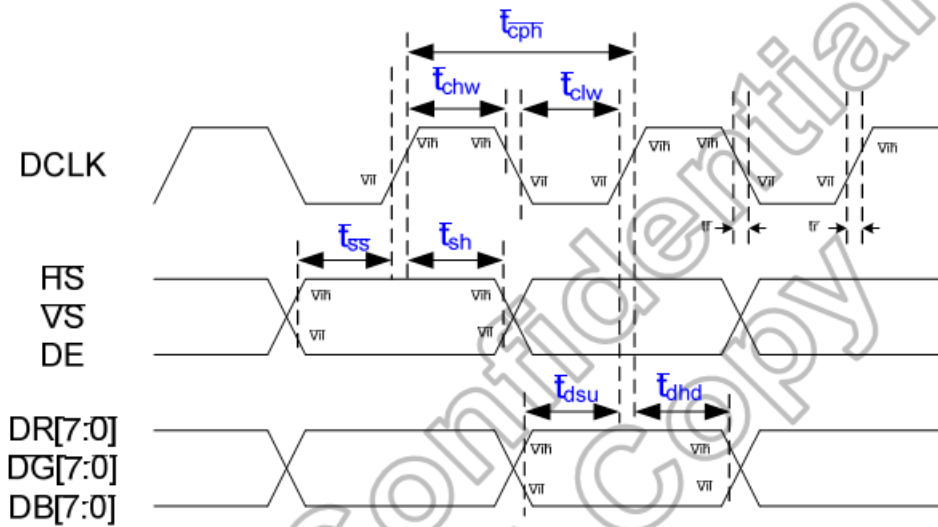
7.1 BLACKLIGHT DRIVING CONDITIONS

ITEM	SYMBOL	SPECIFICATIONS			UNIT	REMARK
		MIN	TYP.	MAX		
Supply Voltage	Vf		9		V	
Supply Current	IL		180		mA	
Power Consumption	P		1.62		W	
LED Lifetime			50,000		H _r	

7.2 ELECTRICAL CHARACTERISTICS

ITEM	SYMBOL	MIN	TYP.	MAX	UNIT
Power Supply	VDD	2.7		3.6	V
Input Voltage	Vil	GND-0.3	-	0.3VDD	V
	Vih	0.7VDD	-	VDD+0.3	V

8. TIMING CHARACTERISTICS



Parameter	Symbol	Spec.			Unit
		Min.	Typ.	Max.	
DCLK period	T_{cph}	16.8	-	-	ns
DCLK clock high width	T_{chw}	6	-	-	ns
DCLK clock low width	T_{cdw}	6	-	-	ns
VS setup time	T_{ss}	5	-	-	ns
VS hold time	T_{sh}	5	-	-	ns
HS setup time	T_{ss}	5	-	-	ns
HS hold time	T_{sh}	5	-	-	ns
DE setup time	T_{ss}	5	-	-	ns
DE hold time	T_{sh}	5	-	-	ns
Data setup time	T_{dsu}	5	-	-	ns
Data hold time	T_{dhd}	5	-	-	ns
Input signal rising time	T_r	-	-	10	ns
Input signal falling time	T_f	-	-	10	ns

9. RELIABILITY TEST

NO.	TEST ITEM	CONDITIONS	
1	HIGH TEMPERATURE STORAGE	TA=85°C	240hrs
2	LOW TEMPERATURE STORAGE	TA=-30°C	240hrs
3	HIGH TEMPERATURE OPERATION	TA=85°C	240hrs
4	LOW TEMPERATURE OPERATION	TA=-30°C	240hrs
5	HIGH TEMPERATURE AND HIGH HUMIDITY OPERATION	TA=+60°C, 90%RH	240hrs

10. LCD MODULES HANDLING PRECAUTIONS

- n** The display panel is made of glass. Do not subject it to a mechanical shock by dropping it from a high place, etc.
- n** If the display panel is damaged and the liquid crystal substance inside it leaks out, do not get any in your mouth. If the substance come into contact with your skin or clothes promptly wash it off using soap and water.
- n** Do not apply excessive force to the display surface or the adjoining areas since this may cause the color tone to vary.
- n** The polarizer covering the display surface of the LCD module is soft and easily scratched. Handle this polarize carefully.
- n** To prevent destruction of the elements by static electricity, be careful to maintain an optimum work environment.
 - Be sure to ground the body when handling the LCD module.
 - Tools required for assembly, such as soldering irons, must be properly grounded.
 - To reduce the amount of static electricity generated, do not conduct assembly and other work under dry conditions.
 - The LCD module is coated with a film to protect the display surface. Exercise care when peeling off this protective film since static electricity may be generated.
- n** Storage precautions
When storing the LCD modules, avoid exposure to direct sunlight or to the light of fluorescent lamps. Keep the modules in bags designed to prevent static electricity charging under low temperature / normal humidity conditions (avoid high temperature / high humidity and low temperatures below 0°C). Whenever possible, the LCD modules should be stored in the same conditions in which they were shipped from our company.

11. OTHERS

- n** Liquid crystals solidify at low temperature (below the storage temperature range) leading to defective orientation of liquid crystal or the generation of air bubbles (black or white). Air bubbles may also be generated if the module is subjected to a strong shock at a low temperature.
- n** If the LCD modules have been operating for a long time showing the same display patterns may remain on the screen as ghost images and a slight contrast irregularity may also appear. Abnormal operating status can be resumed to be normal condition by suspending use for some time. It should be noted that this phenomena does not adversely affect performance reliability.
- n** To minimize the performance degradation of the LCD modules resulting from caused by static electricity, etc. exercise care to avoid holding the following sections when handling the modules:
 - Exposed area of the printed circuit board
 - Terminal electrode sections.