

Display Elektronik GmbH

DATA SHEET

TFT- MODULE

DEM 168384A VRH

2,9" refl. TFT

Product Specification

Ver.: 1

22.02.2024

Revision History

Revision	Date	Originator	Detail	Remarks
0	26.12.2023	LQ	Initial Release	-
1	22.02.2024	LL	Modify Weight Modify Current Consumption All Black	P4 P5

Table of Contents

No.	Item	Page
1.	General Description	4
2.	Module Parameter	4
3.	Absolute Maximum Ratings	4
4.	DC Characteristics	5
5.	Optical Characteristics	6
5.1.	Optical Characteristics	6
5.2.	Definition of Response Time	6
5.3.	Definition of Contrast Ratio	7
5.4.	Definition of Viewing Angles.....	7
5.5.	Definition of Color Appearance	7
5.6.	Definition of Surface Luminance, Uniformity and Transmittance.....	8
6.	Block Diagram and Power Supply	9
7.	Interface Pins Definition	10
8.	AC Characteristics	11
8.1.	4SPI Interface Characteristics	11
8.2.	Reset Timing	12
9.	Quality Assurance	13
9.1.	Purpose	13
9.2.	Standard for Quality Test.....	13
9.3.	Nonconforming Analysis & Disposition	13
9.4.	Agreement Items.....	13
9.5.	Standard of the Product Visual Inspection	13
9.6.	Inspection Specification	14
9.7.	Classification of Defects.....	17
9.8.	Identification/marketing criteria	18
9.9.	Packaging	18
10.	Reliability Specification	19
11.	Precautions and Warranty	20
11.1.	Safety	20
11.2.	Handling	20
11.3.	Storage.....	20
11.4.	Metal Pin (Apply to Products with Metal Pins)	20
11.5.	Operation	21
11.6.	Static Electricity	21
11.7.	Limited Warranty	21
12.	Outline Drawing	22

1. General Description

The specification is a reflective type color active matrix liquid crystal display (LCD) which uses amorphous thin film transistor (TFT) as switching devices. This product is composed of a TFT-LCD panel, driver ICs.

2. Module Parameter

Features	Details	Unit
Display Size(Diagonal)	2.9"	-
Display Mode	Reflective / Normally White	-
Resolution	168 x RGB x 384	Pixels
View Direction	Full View	Best Image
Module Outline	31.10 x 70.95 x 0.85 (Note1)	mm
Active Area	29.10 x 66.85	mm
Pixel Size	0.1732x 0.17408	mm
Polarizer Surface Treatment	Anti-Glare	-
Color	BWR	-
Interface	4-line Serial Interface	-
With or without touch panel	Without	-
Driver IC	ST7306 (Sitronix)	-
Operating Temperature	-20°C ~ +70°C	°C
Storage Temperature	-30°C ~ +80°C	°C
Weight	4	g

Note 1: Exclusive hooks, posts, FFC/FPC tail etc.

3. Absolute Maximum Ratings

VSS=0V, Ta=25°C

Item	Symbol	Min.	Max.	Unit
Supply Voltage	VCI	-0.3	4.0	V
	IOVCC	-0.3	4.0	V
Storage Temperature	T _{STG}	-30	+80	°C
Operating Temperature	T _{OP}	-20	+70	°C

Note 1: If Ta below 50°C, the maximal humidity is 90%RH, if Ta over 50°C, absolute humidity should be less than 60%RH.

Note 2: The response time will be extremely slow when the operating temperature is around -10°C, and the back ground will become darker at high temperature operating.

4. DC Characteristics

Item	Symbol	Min.	Typ.	Max.	Unit
Supply Voltage	V _{CI}	2.55	3.0	3.6	V
	IOVCC	1.65	3.0	3.6	V
Logic Low Input Voltage	V _{IL}	GND	-	0.3*IOVCC	V
Logic High Input Voltage	V _{IH}	0.7*IOVCC	-	IOVCC	V
Logic Low Output Voltage	V _{OL}	GND	-	0.2*IOVCC	V
Logic High Output Voltage	V _{OH}	0.8*IOVCC	-	IOVCC	V
Current Consumption All Black	I _{CI}	-	0.3	-	mA

5. Optical Characteristics

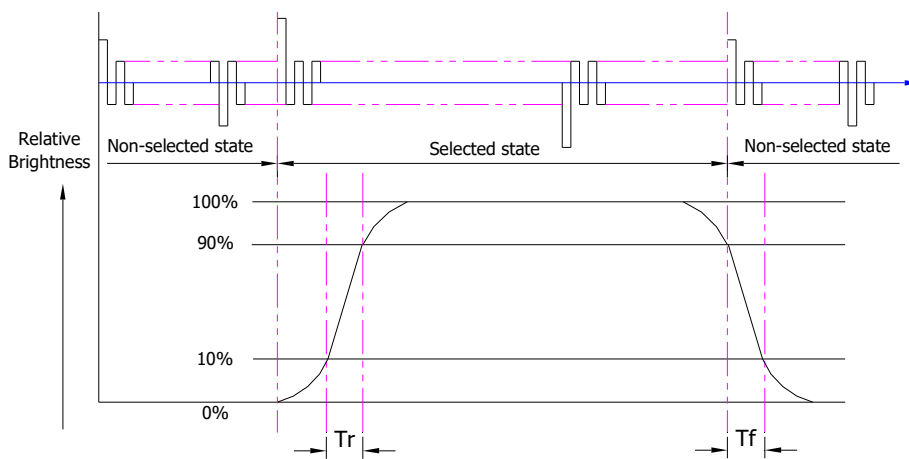
5.1. Optical Characteristics

Ta=25°C, VCI=3.0V

Item	Symbol	Condition	Specification			Unit
			Min.	Typ.	Max.	
Contrast Ratio(See 5.3)	CR	Normally viewing angle $\theta_X = \varphi_Y = 0^\circ$	-	15	-	
Response Time (See 5.2)	T_{R+Tf}		-	5	7	ms
Chromaticity Reflective (See 5.5)	Red	X_R	-	TBD	-	
		Y_R	-	TBD	-	
	Green	X_G	-	TBD	-	
		Y_G	-	TBD	-	
	Blue	X_B	-	TBD	-	
		Y_B	-	TBD	-	
White	X_W	-	TBD	-		
	Y_W	-	TBD	-		
Viewing Angle (See 5.4)	Horizontal	θ_{X+}	-	60	-	Deg.
		θ_{X-}	-	60	-	
	Vertical	φ_{Y+}	-	60	-	
		φ_{Y-}	-	60	-	

5.2. Definition of Response Time

5.2.1. Normally Black Type (Negative)

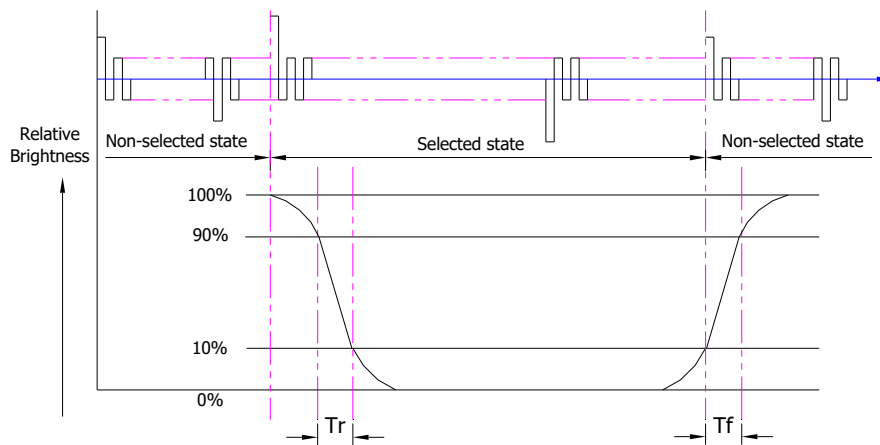


Tr is the time it takes to change form non-selected stage with relative luminance 10% to selected state with relative luminance 90%;

Tf is the time it takes to change from selected state with relative luminance 90% to non-selected state with relative luminance 10%.

Note : Measuring machine: LCD-5100

5.2.2. Normally White Type (Positive)



Tr is the time it takes to change from non-selected stage with relative luminance 90% to selected state with relative luminance 10%;

Tf is the time it takes to change from selected state with relative luminance 10% to non-selected state with relative luminance 90%;

Note: Measuring machine: LCD-5100 or EQUI

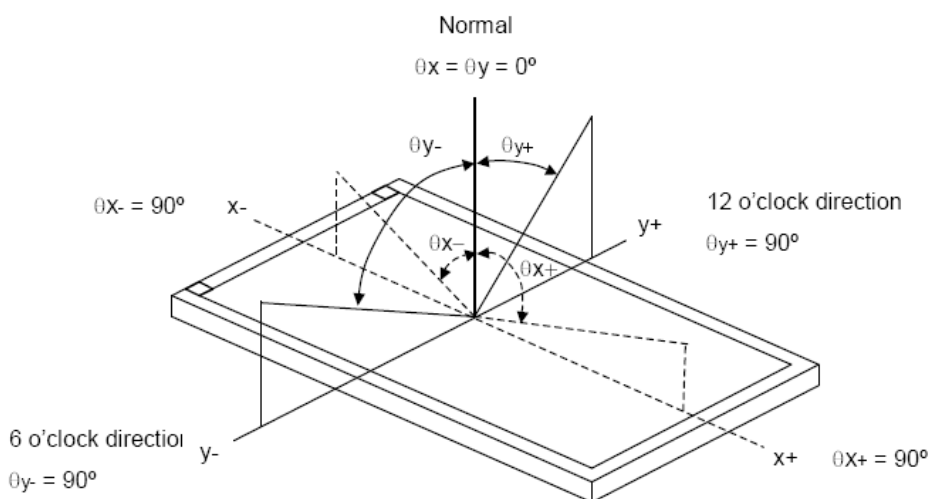
5.3. Definition of Contrast Ratio

Contrast is measured perpendicular to display surface in reflective and transmissive mode. The measurement condition is:

Measuring Equipment	Eldim or Equivalent
Measuring Point Diameter	3mm//1mm
Measuring Point Location	Active Area centre point
Test pattern	A: All Pixels white B: All Pixel black
Contrast setting	Maximum

Definitions: CR (Contrast) = Luminance of White Pixel / Luminance of Black Pixel

5.4. Definition of Viewing Angles

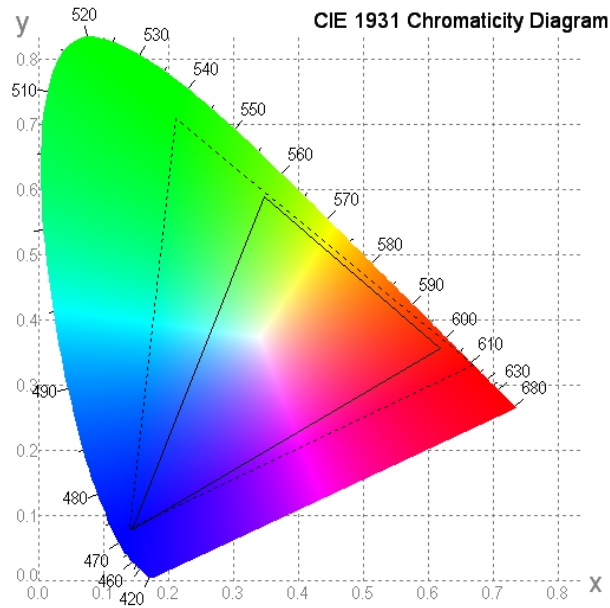


Measuring machine: LCD-5100 or EQUI

5.5. Definition of Color Appearance

R,G,B and W are defined by (x, y) on the IE chromaticity diagram
 NTSC=area of RGB triangle/area of NTSC triangleX100%

Measuring picture: Red, Green, Blue and White (Measuring machine: BM-7)

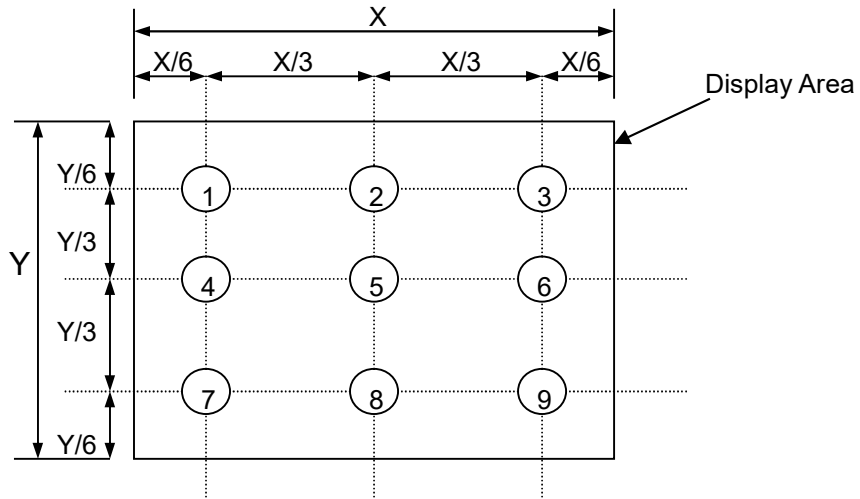


5.6. Definition of Surface Luminance, Uniformity and Transmittance

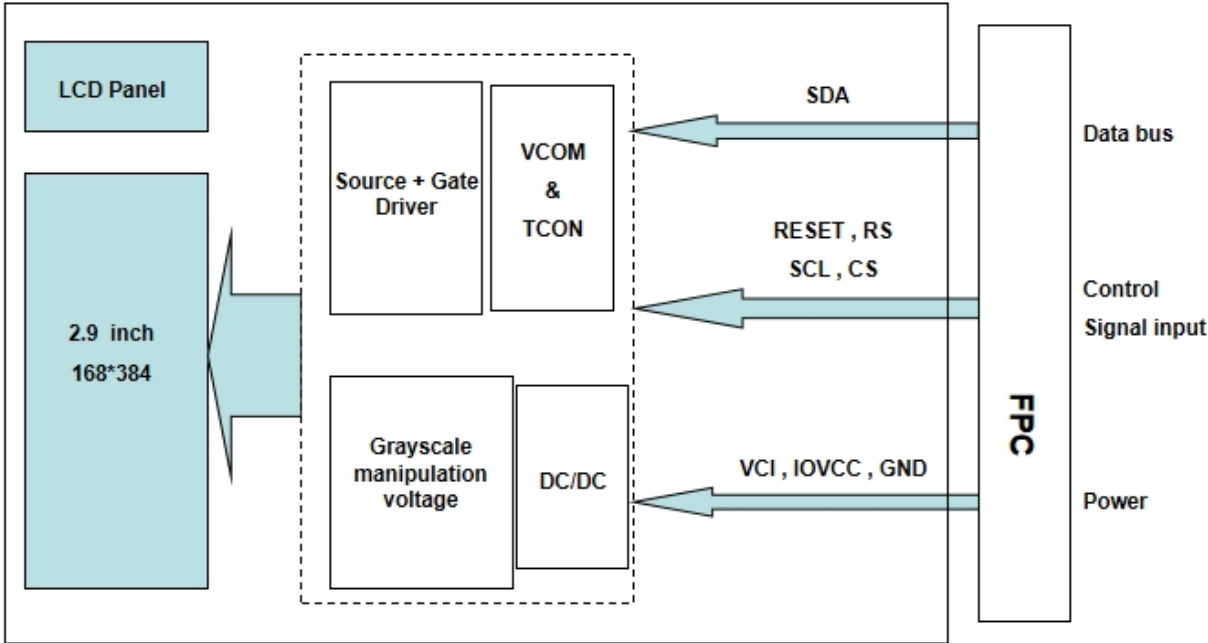
Using the reflective mode measurement approach, measure the white screen luminance of the display panel and backlight.

- 5.6.1. Surface Luminance: $L_V = \text{average}(L_{P1}:L_{P9})$
- 5.6.2. Uniformity = $\text{Minimal}(L_{P1}:L_{P9}) / \text{Maximal}(L_{P1}:L_{P9}) * 100\%$
- 5.6.3. Transmittance = $L_V \text{ on LCD} / L_V \text{ on Backlight} * 100\%$

Note: Measuring machine: BM-7



6. Block Diagram and Power Supply

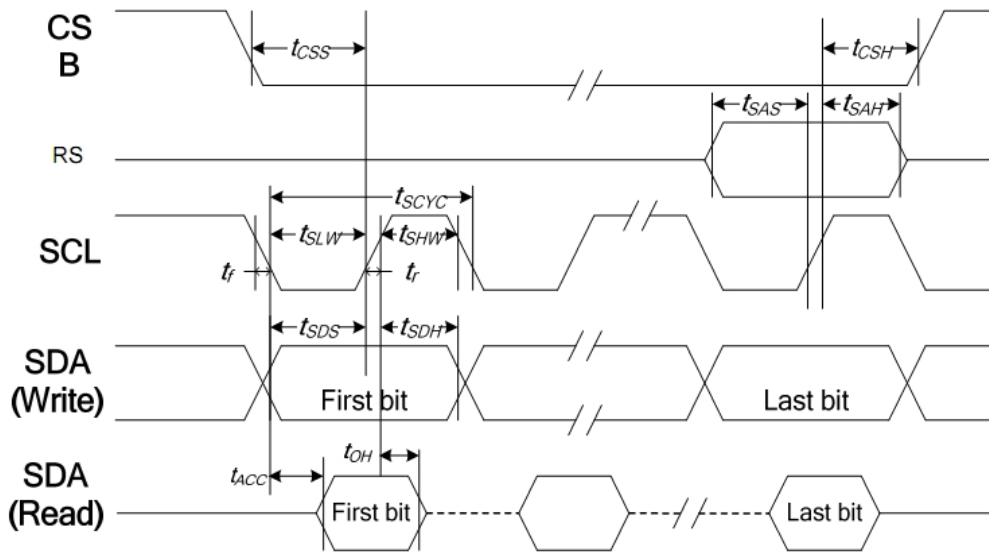


7. Interface Pins Definition

No.	Symbol	Function
1	NC(LED A)	No Connection.
2	NC(LED K)	No Connection.
3	GND	Ground.
4	GND	Ground.
5	VCI	Power Supply(Analog)
6	IOVCC	Power Supply(Digital)
7	GND	Ground.
8	RESET	Reset input pin.When RSTB is "L".
9	VPP	No connection.
10	RS	Data or Command Signal. "L" are control data; "H" are display data;
11	SCL	Serial input clock.
12	SDA	Serial input data.
13	CS	Chip select input pin.
14	GND	Ground.
15	GND	Ground.

8. AC Characteristics

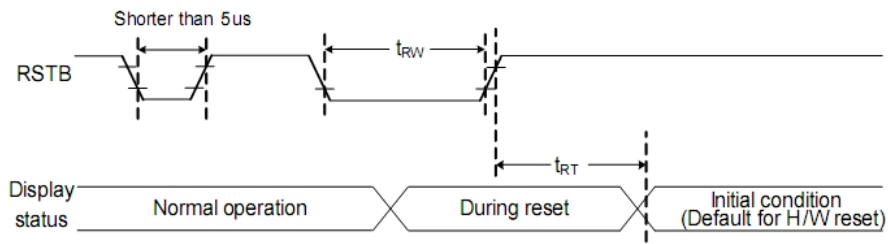
8.1. 4SPI Interface Characteristics



IOVCC= 1.8~3.3V, Ta=25 °C

Item	Signal	Symbol	Condition	Min.	Max.	Unit
Serial clock period (Write)	SCL	tSCYC		30	—	ns
Serial clock period (Read)				150		
SCLK "H" pulse width (Write)		tSHW		15	—	
SCLK "H" pulse width (Read)				60		
SCLK "L" pulse width (Write)		tSLW		15	—	
SCLK "L" pulse width (Read)				60		
Address setup time	RS	tSAS	10	—		
Address hold time		tSAH	10	—		
Data setup time	SDA	tSDS	10	—		
Data hold time	(Write)	tSDH	10	—		
Read data access time	SDA	tACC	For maximum CL=30p	10	50	
Read data output disable time	(Read)	tOH	For minimum CL=8p	15	50	
CSB-SCLK time	CSB	tCSS	10	—		
CSB-SCLK time		tCSH	10	—		

8.2. Reset Timing



IOVCC = 1.8~3.3V, Ta=25 °C

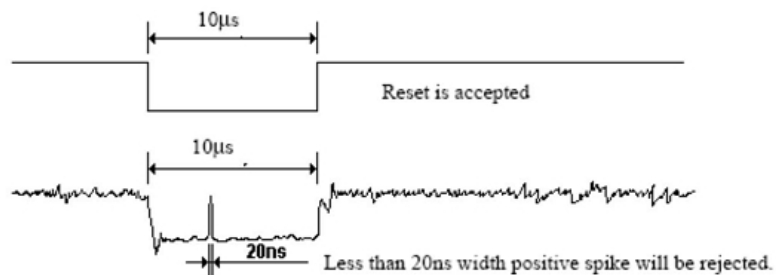
Item	Symbol	Condition	Min.	Max.	Unit
Reset "L" pulse width	tRW		1	—	ms
Reset cancel	tRT	Note1, 5 (sleep-in mode)	—	5	ms
		Note1, 6, 7 (sleep-out mode)	—	120	ms

Notes:

- The reset cancel includes also required time for loading ID bytes, VSource setting and other settings from NVM (or similar device) to registers. This loading is done every time when there is HW reset cancel time (tRT) within 5 ms after a rising edge of RSTB.
- Spike due to an electrostatic discharge on RSTB line does not cause irregular system reset according to the table below:

RSTB Pulse	Action
Shorter than 5us	Reset Rejected
Longer than 9us	Reset
Between 5us and 9us	Reset starts

- During the Resetting period, the display will be blanked (The display is entering blanking sequence, which maximum time is 120 ms, when Reset Starts in Sleep Out –mode. The display remains the blank state in Sleep In –mode.) and then return to Default condition for Hardware Reset.
- Spike Rejection also applies during a valid reset pulse as shown below:



- When Reset applied during Sleep In Mode.
- When Reset applied during Sleep Out Mode.
- It is necessary to wait 5msec after releasing RSTB before sending commands. Also Sleep Out command cannot be sent for 120msec.

9. Quality Assurance

9.1. Purpose

This standard for Quality Assurance assures the quality of LCD module products supplied to customer.

9.2. Standard for Quality Test

9.2.1. Sampling Plan:

GB2828.1-2012

Single sampling, general inspection level II

9.2.2. Sampling Criteria:

Visual inspection: AQL 1.5

Electrical functional: AQL 0.65.

9.2.3. Reliability Test:

Detailed requirement refer to Reliability Test Specification.

9.3. Nonconforming Analysis & Disposition

9.3.1. Nonconforming analysis:

9.3.1.1. Customer should provide overall information of non-conforming sample for their complaints.

9.3.1.2. After receipt of detailed information from customer, the analysis of nonconforming parts usually should be finished in one week.

9.3.1.3. If cannot finish the analysis on time, customer will be notified with the progress status.

9.3.2. Disposition of nonconforming:

9.3.2.1. Non-conforming product over PPM level will be replaced.

9.3.2.2. The cause of non-conformance will be analyzed. Corrective action will be discussed and implemented.

9.4. Agreement Items

Shall negotiate with customer if the following situation occurs:

9.4.1. There is any discrepancy in standard of quality assurance.

9.4.2. Additional requirement to be added in product specification.

9.4.3. Any other special problem.

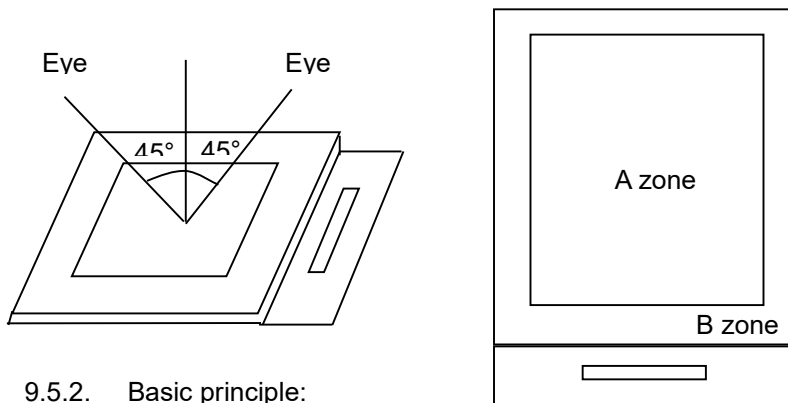
9.5. Standard of the Product Visual Inspection

9.5.1. Appearance inspection:

9.5.1.1. The inspection must be under illumination about 1000 – 1500 lx, and the distance of view must be at 30cm ± 2cm.

9.5.1.2. The viewing angle should be 45° from the vertical line without reflection light or follows customer's viewing angle specifications.

9.5.1.3. Definition of area: A Zone: Active Area, B Zone: Viewing Area,



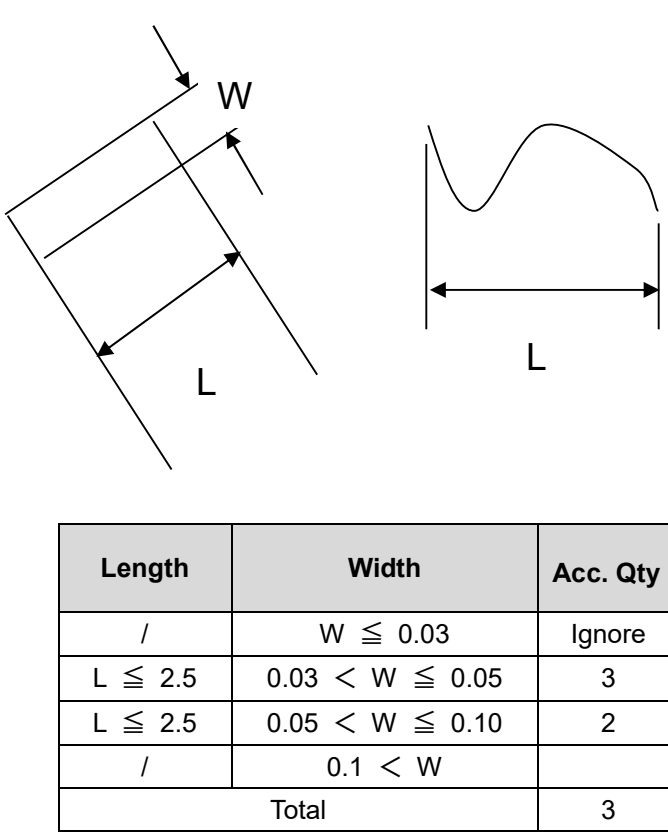
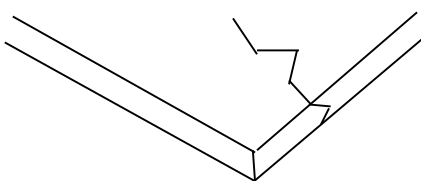
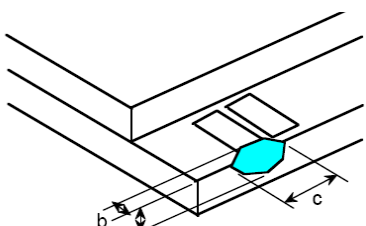
9.5.2. Basic principle:

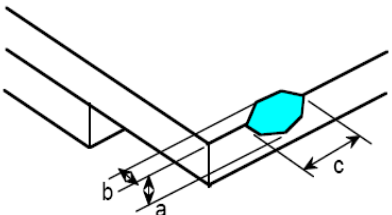
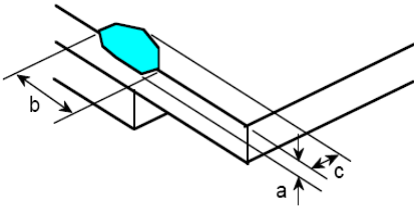
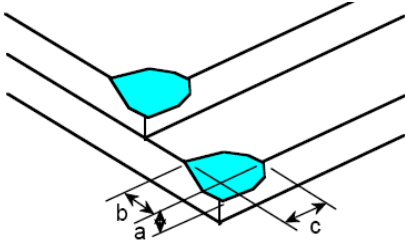
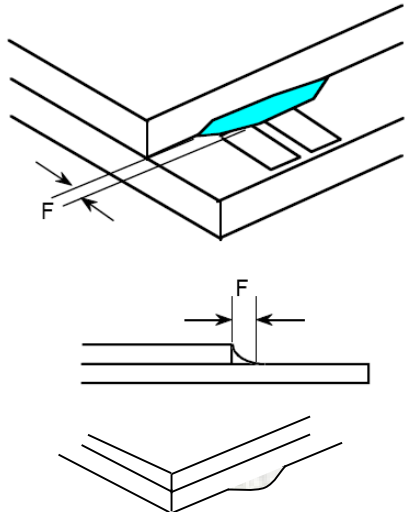
9.5.2.1. A set of sample to indicate the limit of acceptable quality level must be discussed by both us and customer when there is any dispute happened.

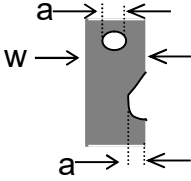
9.5.2.2. New item must be added on time when it is necessary.

9.6. Inspection Specification

No.	Item	Criteria (Unit: mm)																		
01	Black / White spot Foreign material (Round type) Pinholes Stain Particles inside cell. (Minor defect)	 $\phi = (a + b) / 2$ Distance between 2 defects should more than 3mm apart. <table border="1" style="float: right;"> <thead> <tr> <th>Size \ Area</th> <th>Acc. Qty</th> </tr> </thead> <tbody> <tr> <td>$\phi \leq 0.10$</td> <td>Ignore</td> </tr> <tr> <td>$0.10 < \phi \leq 0.15$</td> <td>2</td> </tr> <tr> <td>$0.15 < \phi \leq 0.25$</td> <td>1</td> </tr> <tr> <td>$0.25 < \phi$</td> <td>0</td> </tr> <tr> <td>Total</td> <td>2 no include $\phi \leq 0.10$</td> </tr> </tbody> </table>	Size \ Area	Acc. Qty	$\phi \leq 0.10$	Ignore	$0.10 < \phi \leq 0.15$	2	$0.15 < \phi \leq 0.25$	1	$0.25 < \phi$	0	Total	2 no include $\phi \leq 0.10$						
Size \ Area	Acc. Qty																			
$\phi \leq 0.10$	Ignore																			
$0.10 < \phi \leq 0.15$	2																			
$0.15 < \phi \leq 0.25$	1																			
$0.25 < \phi$	0																			
Total	2 no include $\phi \leq 0.10$																			
02	Electrical Defect (Minor defect)	<table border="1"> <thead> <tr> <th></th> <th>Display Area</th> <th>Total</th> <th rowspan="3">Note1</th> </tr> </thead> <tbody> <tr> <td>Bright dot</td> <td>0</td> <td>0</td> </tr> <tr> <td>Dark dot</td> <td>$N \leq 2$</td> <td>$N \leq 2$</td> </tr> <tr> <td>Total dot</td> <td>$N \leq 2$</td> <td>$N \leq 2$</td> <td></td> </tr> <tr> <td>Mura</td> <td colspan="2">Not visible through 5% ND filters.</td> <td>Note2</td> </tr> </tbody> </table> <p>Remark: 1. Bright dot caused by scratch and foreign object accords to item 1.</p>		Display Area	Total	Note1	Bright dot	0	0	Dark dot	$N \leq 2$	$N \leq 2$	Total dot	$N \leq 2$	$N \leq 2$		Mura	Not visible through 5% ND filters.		Note2
	Display Area	Total	Note1																	
Bright dot	0	0																		
Dark dot	$N \leq 2$	$N \leq 2$																		
Total dot	$N \leq 2$	$N \leq 2$																		
Mura	Not visible through 5% ND filters.		Note2																	

<p>03</p>	<p>Black and White line Scratch Foreign material (Line type) (Minor defect)</p>	 <p>Distance between 2 defects should more than 3mm apart. Scratches not viewable through the back of the display are acceptable.</p>								
<p>04</p>	<p>Glass Crack (Minor defect)</p>	 <p>Crack is potential to enlarge, any type is not allowed.</p>								
<p>05</p>	<p>Glass Chipping Pad Area: (Minor defect)</p> 	<table border="1"> <thead> <tr> <th>Length and Width</th> <th>Acc. Qty</th> </tr> </thead> <tbody> <tr> <td>$c > 3.0, b < 1.0$</td> <td>1</td> </tr> <tr> <td>$c < 3.0, b < 1.0$</td> <td>3</td> </tr> <tr> <td colspan="2" style="text-align: center;">$a < \text{Glass Thickness}$</td> </tr> </tbody> </table>	Length and Width	Acc. Qty	$c > 3.0, b < 1.0$	1	$c < 3.0, b < 1.0$	3	$a < \text{Glass Thickness}$	
Length and Width	Acc. Qty									
$c > 3.0, b < 1.0$	1									
$c < 3.0, b < 1.0$	3									
$a < \text{Glass Thickness}$										

<p>06</p>	<p>Glass Chipping Rear of Pad Area: (Minor defect)</p> 	<table border="1"> <thead> <tr> <th>Length and Width</th> <th>Acc. Qty</th> </tr> </thead> <tbody> <tr> <td>$c > 3.0, b < 1.0$</td> <td>1</td> </tr> <tr> <td>$c < 3.0, b < 1.0$</td> <td>2</td> </tr> <tr> <td>$c < 3.0, b < 0.5$</td> <td>4</td> </tr> <tr> <td colspan="2">a < Glass Thickness</td> </tr> </tbody> </table>	Length and Width	Acc. Qty	$c > 3.0, b < 1.0$	1	$c < 3.0, b < 1.0$	2	$c < 3.0, b < 0.5$	4	a < Glass Thickness	
Length and Width	Acc. Qty											
$c > 3.0, b < 1.0$	1											
$c < 3.0, b < 1.0$	2											
$c < 3.0, b < 0.5$	4											
a < Glass Thickness												
<p>07</p>	<p>Glass Chipping Except Pad Area: (Minor defect)</p> 	<table border="1"> <thead> <tr> <th>Length and Width</th> <th>Acc. Qty</th> </tr> </thead> <tbody> <tr> <td>$c > 3.0, b < 1.0$</td> <td>1</td> </tr> <tr> <td>$c < 3.0, b < 1.0$</td> <td>2</td> </tr> <tr> <td>$c < 3.0, b < 0.5$</td> <td>4</td> </tr> <tr> <td colspan="2">a < Glass Thickness</td> </tr> </tbody> </table>	Length and Width	Acc. Qty	$c > 3.0, b < 1.0$	1	$c < 3.0, b < 1.0$	2	$c < 3.0, b < 0.5$	4	a < Glass Thickness	
Length and Width	Acc. Qty											
$c > 3.0, b < 1.0$	1											
$c < 3.0, b < 1.0$	2											
$c < 3.0, b < 0.5$	4											
a < Glass Thickness												
<p>08</p>	<p>Glass Corner Chipping: (Minor defect)</p> 	<table border="1"> <thead> <tr> <th>Length and Width</th> <th>Acc. Qty</th> </tr> </thead> <tbody> <tr> <td>$c < 3.0, b < 3.0$</td> <td>Ignore</td> </tr> <tr> <td colspan="2">a < Glass Thickness</td> </tr> </tbody> </table>	Length and Width	Acc. Qty	$c < 3.0, b < 3.0$	Ignore	a < Glass Thickness					
Length and Width	Acc. Qty											
$c < 3.0, b < 3.0$	Ignore											
a < Glass Thickness												
<p>09</p>	<p>Glass Burr: (Minor defect)</p> 	<table border="1"> <thead> <tr> <th>Length</th> <th>Acc. Qty</th> </tr> </thead> <tbody> <tr> <td>$F < 1.0$</td> <td>Ignore</td> </tr> </tbody> </table> <p>Glass burr don't affect assemble and module dimension.</p>	Length	Acc. Qty	$F < 1.0$	Ignore						
Length	Acc. Qty											
$F < 1.0$	Ignore											

10	<p>FPC Defect: (Minor defect)</p> 	<p>10.1 Dent, pinhole width $a < w/3$. (w: circuitry width.) 10.2 Open circuit is unacceptable. 10.3 No oxidation, contamination and distortion.</p>										
11	<p>Bubble on Polarizer (Minor defect)</p>	<table border="1"> <thead> <tr> <th>Diameter</th> <th>Acc. Qty</th> </tr> </thead> <tbody> <tr> <td>$\varphi \leq 0.20$</td> <td>Ignore</td> </tr> <tr> <td>$0.20 < \varphi \leq 0.30$</td> <td>4</td> </tr> <tr> <td>$0.30 < \varphi \leq 0.50$</td> <td>1</td> </tr> <tr> <td>$0.50 < \varphi$</td> <td>None</td> </tr> </tbody> </table>	Diameter	Acc. Qty	$\varphi \leq 0.20$	Ignore	$0.20 < \varphi \leq 0.30$	4	$0.30 < \varphi \leq 0.50$	1	$0.50 < \varphi$	None
Diameter	Acc. Qty											
$\varphi \leq 0.20$	Ignore											
$0.20 < \varphi \leq 0.30$	4											
$0.30 < \varphi \leq 0.50$	1											
$0.50 < \varphi$	None											
12	<p>Dent on Polarizer (Minor defect)</p>	<table border="1"> <thead> <tr> <th>Diameter</th> <th>Acc. Qty</th> </tr> </thead> <tbody> <tr> <td>$\varphi \leq 0.20$</td> <td>Ignore</td> </tr> <tr> <td>$0.20 < \varphi \leq 0.30$</td> <td>4</td> </tr> <tr> <td>$0.30 < \varphi \leq 0.50$</td> <td>1</td> </tr> <tr> <td>$0.50 < \varphi$</td> <td>None</td> </tr> </tbody> </table>	Diameter	Acc. Qty	$\varphi \leq 0.20$	Ignore	$0.20 < \varphi \leq 0.30$	4	$0.30 < \varphi \leq 0.50$	1	$0.50 < \varphi$	None
Diameter	Acc. Qty											
$\varphi \leq 0.20$	Ignore											
$0.20 < \varphi \leq 0.30$	4											
$0.30 < \varphi \leq 0.50$	1											
$0.50 < \varphi$	None											
13	<p>Bezel</p>	<p>13.1 No rust, distortion on the Bezel. 13.2 No visible fingerprints, stains or other contamination.</p>										
14	<p>PCB</p>	<p>14.1 No distortion or contamination on PCB terminals. 14.2 All components on PCB must same as documented on the BOM/component layout. 14.3 Follow IPC-A-600F.</p>										
15	<p>Soldering</p>	<p>Follow IPC-A-610C standard</p>										
16	<p>Electrical Defect (Major defect)</p>	<p>The below defects must be rejected. 16.1 Missing vertical / horizontal segment, 16.2 Abnormal Display. 16.3 No function or no display. 16.4 Current exceeds product specifications. 16.5 LCD viewing angle defect. 16.6 No Backlight. 16.7 Dark Backlight. 16.8 Touch Panel no function.</p>										

Remark: LCD Panel Broken shall be rejected. Defect out of LCD viewing area is acceptable.

9.7. Classification of Defects

- 9.7.1. Visual defects (Except no / wrong label) are treated as minor defect and electrical defect is major.
- 9.7.2. Two minor defects are equal to one major in lot sampling inspection.

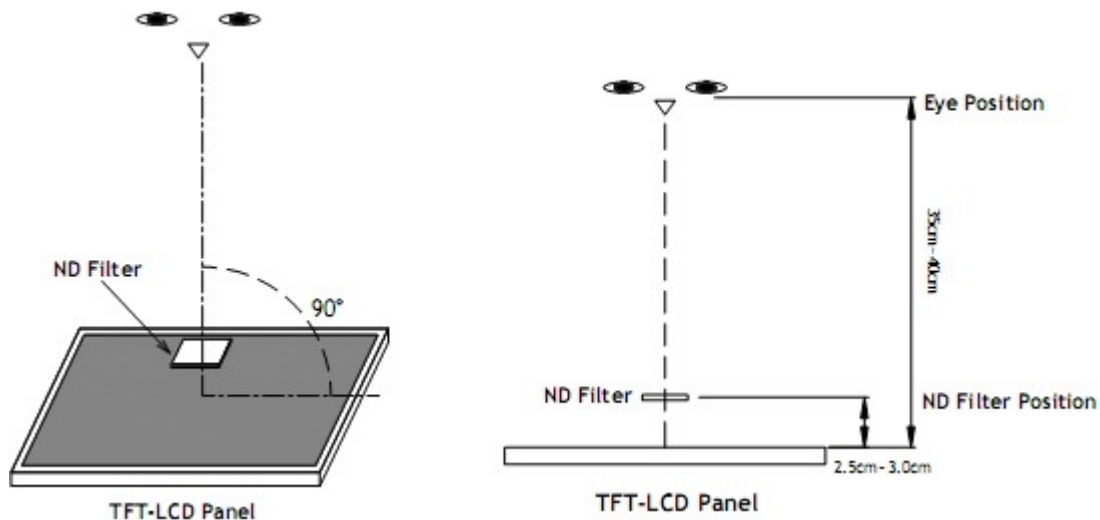
9.8. Identification/marketing criteria

Any unit with illegible / wrong /double or no marking/ label shall be rejected.

9.9. Packaging

- 9.9.1. There should be no damage of the outside carton box, each packaging box should have one identical label.
- 9.9.2. Modules inside package box should have compliant mark.
- 9.9.3. All direct package materials shall offer ESD protection.

Note1: Bright dot is defined as the defective area of the dot is larger than 50% of one sub-pixel area.



Bright dot: The bright dot size defect at black display pattern. It can be recognized by 2% transparency of filter when the distance between eyes and panel is $350\text{mm} \pm 50\text{mm}$.

Dark dot: Cyan, Magenta or Yellow dot size defect at white display pattern. It can be recognized by 5% transparency of filter when the distance between eyes and panel is $350\text{mm} \pm 50\text{mm}$.

Note2: Mura on display which appears darker / brighter against background brightness on parts of display area.

10. Reliability Specification

No	Item	Condition	Quantity	Criteria
1	High Temperature Operating	+70°C, 96Hrs	2	GB/T2423.2-2008
2	Low Temperature Operating	-20°C, 96Hrs	2	GB/T2423.1-2008
3	High Humidity Storage	+50°C, 90%RH, 96Hrs	2	GB/T2423.3-2016
4	High Temperature Storage	+80°C, 96Hrs	2	GB/T2423.2-2008
5	Low Temperature Storage	-30°C, 96Hrs	2	GB/T2423.1-2008
6	Thermal Cycling Test	-20°C, 60min~+70°C, 60min, 20 cycles.	2	GB/T2423.22-2012
7	Packing vibration	Frequency range:10Hz~50Hz Acceleration of gravity:5G X, Y, Z 30 min for each direction.	-	GB/T5170.14-2009
8	Electrical Static Discharge	Air: ±4kV 150pF/330 Ω 5 times Contact: ±2kV 150pF/330 Ω 5 times	2	GB/T17626.2-2018
9	Drop Test (Packaged)	Height:80 cm,1 corner, 3 edges, 6 surfaces.	-	GB/T2423.8-1995

Note1. No deflection cosmetic and operational function allowable.

Note2. Total current Consumption should be below double of initial value.

11. Precautions and Warranty

11.1.Safety

- 11.1.1. The liquid crystal in the LCD is poisonous. Do not put it in your mouth. If the liquid crystal touches your skin or clothes, wash it off immediately using soap and water.
- 11.1.2. Since the liquid crystal cells are made of glass, do not apply strong impact on them. Handle with care.

11.2.Handling

- 11.2.1. Reverse and use within ratings in order to keep performance and prevent damage.
- 11.2.2. Do not wipe the polarizer with dry cloth, as it might cause scratch. If the surface of the LCD needs to be cleaned, wipe it swiftly with cotton or other soft cloth soaked with petroleum IPA, do not use other chemicals.

11.3.Storage

- 11.3.1. Do not store the LCD module beyond the specified temperature ranges.
- 11.3.2. Strong light exposure causes degradation of polarizer and color filter.

11.4.Metal Pin (Apply to Products with Metal Pins)

11.4.1. Pins of LCD and Backlight

11.4.1.1. Solder tip can touch and press on the tip of Pin LEAD during the soldering

11.4.1.2. Recommended Soldering Conditions

Solder Type: Sn96.3~94-Ag3.3~4.3-Cu0.4~1.1

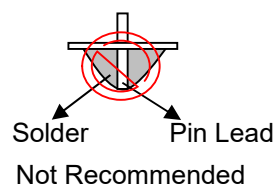
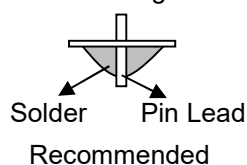
Maximum Solder Temperature: 370°C

Maximum Solder Time: 3s at the maximum temperature

Recommended Soldering Temp: 350±20°C

Typical Soldering Time: ≤3s

11.4.1.3. Solder Wetting



11.4.2. Pins of EL

11.4.2.1. Solder tip can touch and press on the tip of EL leads during soldering.

11.4.2.2. No Solder Paste on the soldering pad on the motherboard is recommended.

11.4.2.3. Recommended Soldering Conditions

Solder type: Nippon Alimit Leadfree SR-34, size 0.5mm

Recommended Solder Temperature: 270~290°C

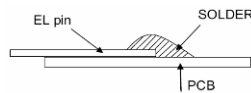
Typical Soldering Time: ≤2s

Minimum solder distance from EL lamp (body):2.0mm

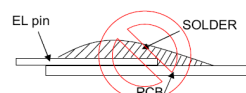
11.4.2.4. No horizontal press on the EL leads during soldering.

11.4.2.5. 180° bend EL leads three times is not allowed.

11.4.2.6. Solder Wetting

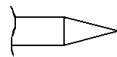


Recommended

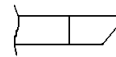


Not Recommended

11.4.2.7. The type of the solder iron:

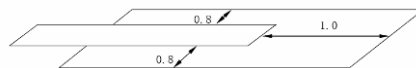


Recommended



Not Recommended

11.4.2.8. Solder Pad



11.5.Operation

- 11.5.1. Do not drive LCD with DC voltage
- 11.5.2. Response time will increase below lower temperature
- 11.5.3. Display may change color with different temperature
- 11.5.4. Mechanical disturbance during operation, such as pressing on the display area, may cause the segments to appear “fractured”.
- 11.5.5. Do not connect or disconnect the LCM to or from the system when power is on.
- 11.5.6. Never use the LCM under abnormal condition of high temperature and high humidity.
- 11.5.7. Module has high frequency circuits. Sufficient suppression to the electromagnetic interface shall be done by system manufacturers. Grounding and shielding methods may be important to minimize the interference.
- 11.5.8. *Do not display the fixed pattern for long time (we suggest the time not longer than one hour) because it will develop image sticking due to the TFT structure.*

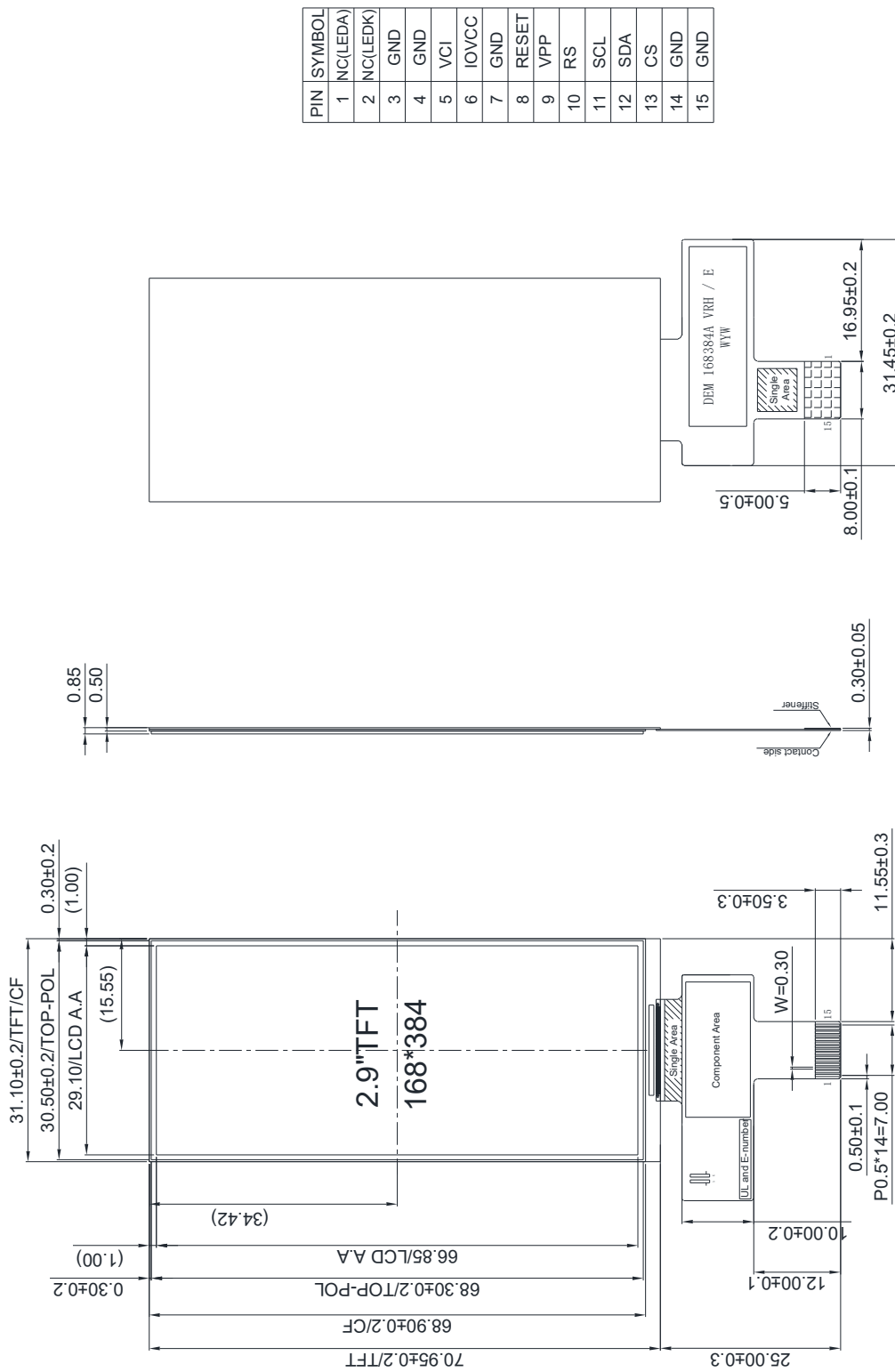
11.6.Static Electricity

- 11.6.1. CMOS LSIs are equipped in this unit, so care must be taken to avoid the electro-static charge, by ground human body, etc.
- 11.6.2. The normal static prevention measures should be observed for work clothes and benches.
- 11.6.3. The module should be kept into anti-static bags or other containers resistant to static for storage.

11.7.Limited Warranty

- 11.7.1. Our warranty liability is limited to repair and/or replacement. We will not be responsible for any consequential loss.
- 11.7.2. If possible, we suggest customer to use up all modules in six months. If the module storage time over twelve months, we suggest that recheck it before the module be used
- 11.7.3. . After the product shipped, any product quality issues must be feedback within three months, otherwise, we will not be responsible for the subsequent or consequential events.

12. Outline Drawing



- NOTES:
1. Display size: 2.9" TFT
 2. Display mode: Reflective/Normally White/Anti-glare
 3. Operation temperature: -20°C ~ +70°C
 4. Storage temperature: -30°C ~ +80°C
 5. Driver IC: ST7306
 6. Power supply voltage: 2.8V
 7. ROHS must be complied
- *Unspecification tolerance are ±0.2mm