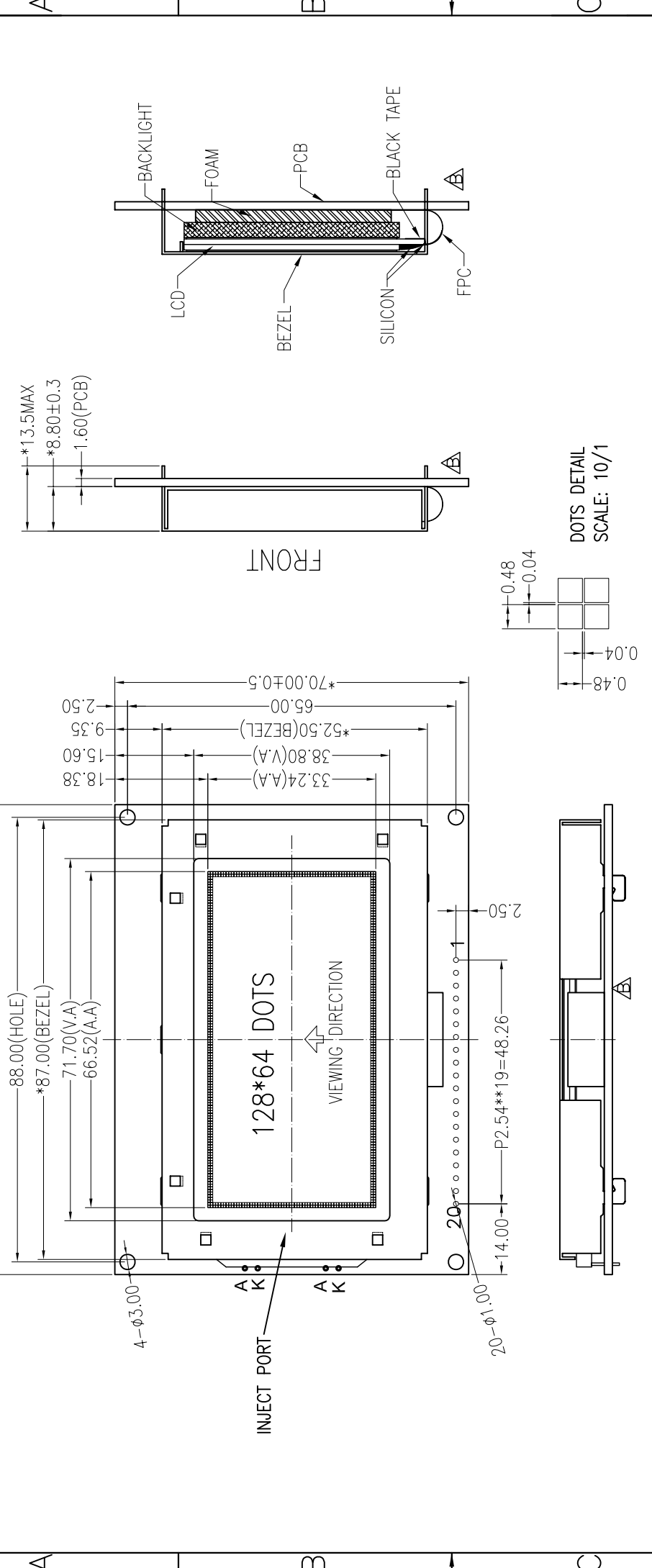


1	2	3	4	5	6
REV		DESCRIPTION		DATE	
A	First issue		16-MAY-2008		
B	Remove PIN HEADER		05-FEB-2009		



PIN	1	2	3	4	5	6	7	8	9	10
CONNECTION	GND	VDD	NC	RS	NC	NC	CLK	SID	/RES	NC
PIN	11	12	13	14	15	16	17	18	19	20
CONNECTION	NC	NC	NC	NC	/CS	NC	NC	NC	LEDK	LEDA

Specification:

- Driving: Duty:1/65, Bias:1/9, VLCD:9.0V, VDD:5.0V, MCU:3.3V
- Viewing Direction: 6 O'clock
- Display mode: FSTN/Positive/Transflective
- Operating temp.: -20°C to +70°C
Storage temp.: -30°C to +80°C
- IC: ST7565R (or compatible)
- Backlight: EDGE WHITE (If=30mA, Vf=2.9~3.3V, 2Dies)
- Dimensions with mark "*" are important, with mark "(" are referenced
- All the raw materials are RoHS compliant
- Part Number "DEM 128064E" printed on the PCB

SCALE: DO NOT SCALE THIS DRAWING.		SHEET: 1	OF 1
GENERAL TOL: ±0.3		UNIT	mm
APPROVALS		DATE	
APP: MH	05-02-2009		
CHK: MHO	05-02-2009		
DWN: MH	05-02-2009		

DISPLAY Elektronik GmbH

PART NO: DEM 128064E FGH-PW

PROJECTION:

MODULE NUMBER: COM32

SEG1 SEG128

COM31 COM0 COM63 COM32

COM&SEG layout