

Display Elektronik GmbH

DATA SHEET

TFT- MODULE

DEM 1024600F TMH-PW-N

10,1" TFT

Product Specification

Ver.: 0

21.10.2015

Revise Records

Rev.	Date	Contents	Written	Approved
0	21.10.2015	Preliminary Specification	JY	MH

Special Notes

Note1.	
Note2.	
Note3.	
Note4.	
Note5.	

Contents

1. General Description and Features	4
1.1 Features	4
1.2 LCD Module	4
2. Mechanical Information	4
3. Electrical Specifications	5
3.1 Absolute Max. Ratings	5
3.2 Electrical Absolute Rating	6
4 Electrical Characteristics.....	7
4.1 TFT-LCD Module (DC Characteristics)	7
4.2 Backlight Unit	8
5 Input Terminal Pin Assignment.....	8
5.1 Pin Assignment (LCD)	8
5.2 Pin Assignment (LED)	11
6 Optical Characteristics	12
7 Interface Timing.....	15
8 Reliability Condition for LCD.....	18
9 DIMENSIONAL OUTLINE	19

1. General Description and Features

This TFT is a 10.1" color TFT-LCD (Thin Film Transistor Liquid Crystal Display) module composed of LCD panel, driver IC, Control Circuit and LED backlight. By applying 1024x600 images are displayed on the 10.1" diagonal screen. Display 16.2Million colors by R.G.B signal input.

1.1 Features

- 1024 x 600 pixels resolution.
- Display in 16.2M colors.
- LVDS Interface
- Brightness: typ. 500cd/m2

1.2 LCD Module

Item	Specification	Unit
Screen Size	10.1 Inches	Diagonal
Display Resolution	1024 x RGB x 600	Dot
Active Area	222.72 x 125.28	mm
Outline Dimension	143.00 x 235.00 x 4.50	mm
Display Mode	Normally White	--
Pixel Arrangement	RGB-Vertical Stripe	--
Display Color	16.2 Million	--
Surface Treatment	Anti-Glare	--
Viewing Direction	6 o'clock	--
Input Interface	LVDS	--

2. Mechanical Information

Item	Min.	Typ.	Max.	Unit	Note	
Module Size	Horizontal (H)	--	234.70	--	mm	--
	Vertical (V)	--	142.70	--	mm	(1)
	Thickness (T)	--	4.20	--	mm	(2)
Weight	--	~285	--	g	--	

Note (1) Not include FPC.

Refer to the Outline Dimension for further information.

3. Electrical Specifications**3.1 Absolute Max. Ratings**

3.1.1 Absolute Ratings of Environment

If the operating condition exceeds the following absolute maximum ratings, the TFT LCD module may be damaged permanently.

($T_a=25\pm 2^\circ\text{C}$, $V_{SS}=\text{GND}=0$)

Item	Symbol	Min.	Max.	Unit	Note
Storage Temperature	T_{STG}	-30	80	°C	(1)
Operating Temperature	T_{OPR}	-20	70	°C	(1,2,3)

Note (1) 95 % RH Max. ($40^\circ\text{C} \geq T_a$). Maximum wet-bulb temperature at 39°C or less.
($T_a > 40^\circ\text{C}$) No condensation.

Note (2) In case of below 0°C , the response time of liquid crystal (LC) becomes slower and the color of panel becomes darker than normal one. Level of retardation depends on temperature, because of LC's character

Note (3) Only operation is guaranteed at operating temperature. Contrast, response time, another display quality are evaluated at $+25^\circ\text{C}$.

3.2 Electrical Absolute Rating

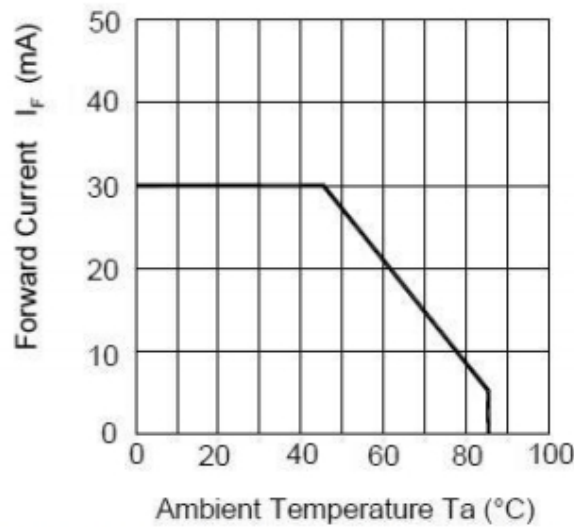
The following are maximum values which, if exceeded, may cause faulty operation or damage to the unit.

Item	Symbol	Min.	Max.	Unit	Note
Digital Supply Voltage	DVDD DVDD_LVDS	-0.3	3.96	V	
Analog Supply Voltage	AVDD	-0.5	14.85	V	
Gate On Voltage	VGH	-0.3	40	V	
Gate Off Voltage	VGL	-20	0.3	V	
Gate On-Gate Off Voltage	VGH-VGL	12	40	V	
Signal Input Voltage	NIND0 ~ NIND3 PIND0 ~ PIND3 NINC,PINC	-0.5	5	V	
Forward Current (per LED)	I _f	-	30	mA	
Reverse Voltage (per LED)	V _R	-	5	V	
Pulse forward current (per LED)	I _{fp}	-	100	mA	Note 1、2
Operating temperature	T _{opa}	-20	70	°C	Note 3
Storage temperature	T _{stg}	-30	80	°C	Note 3

Note1 : I_{fp} Conditions : Pulse Width ≤10msec ; Duty ≤1/10

Note2 : perating must under the condition as below drawing.

(Ambient Temperature /Allowable Forward Current) Each LED .



Note3 : If users use the product out off the environmental operation range (temperature and humidity) , it will have visual quality concerns.

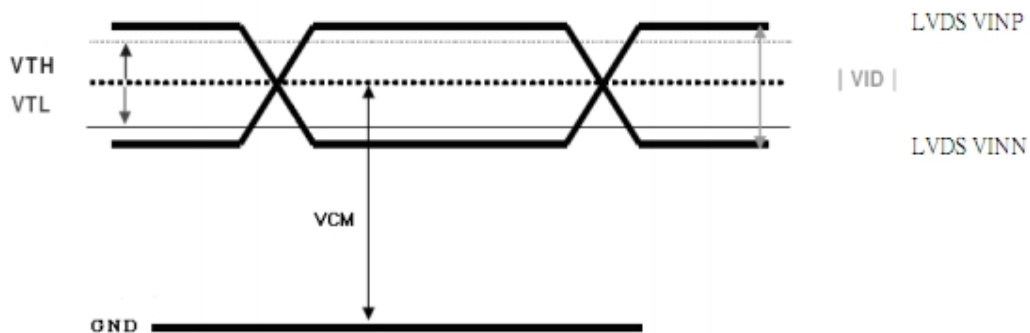
4 Electrical Characteristics

4.1 TFT-LCD Module (DC Characteristics)

Ta=25°C

ITEM	SYMBOL	MIN	TYP	MAX	UNIT	NOTE
Digital Power Supply Voltage For LCD	DVDD VDD_LVDS	3	3.3	3.6	V	
Logic Input Voltage (LVDS:IN+,IN-)	VCM	$\frac{ VID }{2}$	-	$2.4 - \frac{ VID }{2}$	V	Note1
	VID	200	-	600	mV	Note1
	VTH	-	-	100	mV	VCM=1.2V Note1
	VTL	-100	-	-	mV	
Analog Power Supply Voltage	AVDD	9.4	9.6	9.8	V	
Gate On Power Supply Voltage	VGH	17	18	19	V	
Gate Off Power Supply Voltage	VGL	-6.6	-6	-5.4	V	
Common Power Supply Voltage	VCOM	3.8	4.0	4.2	V	Note2
Gamma Voltage	V1	-	9.450	-	V	
	V2	-	8.762	-	V	
	V3	-	7.559	-	V	
	V4	-	7.146	-	V	
	V5	-	6.859	-	V	
	V6	-	6.336	-	V	
	V7	-	5.524	-	V	
	V8	-	4.947	-	V	
	V9	-	4.045	-	V	
	V10	-	3.295	-	V	
	V11	-	2.882	-	V	
	V12	-	2.406	-	V	
	V13	-	0.983	-	V	
	V14	-	0.205	-	V	

[Note1] LVDS signal



[Note2] Please adjust VCOM to make the flicker level be minimum.

4.2 Backlight Unit

(Ta=25±2°C)

Item	Symbol	Value			Unit	Condition
		Min.	Typ.	Max.		
LED Voltage	VL	17.4	19.2	21.6	V	
LED Current	IL	-	140	-	mA	
Power Consumption	P _{BL}	-	2680	-	mW	
LED Lifetime	-	20.000	-	-	Hrs	

5 Input Terminal Pin Assignment

5.1 Pin Assignment (LCD)

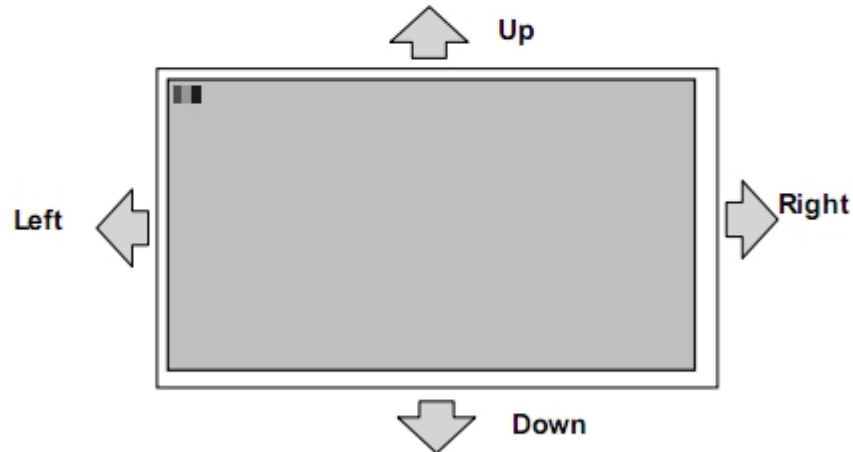
Pin NO.	Symbol	Description	Note
1	AGND	Analog ground	
2	AVDD	Analog power	
3	DVDD	Digital power	
4	GND	Digital ground	
5	VCOM	Common voltage	
6	DVDD	Digital power	
7	GND	Digital ground	
8	V14	Gamma correction voltage reference	
9	V13	Gamma correction voltage reference	
10	V12	Gamma correction voltage reference	
11	V11	Gamma correction voltage reference	
12	V10	Gamma correction voltage reference	
13	V9	Gamma correction voltage reference	
14	V8	Gamma correction voltage reference	
15	GND	Digital ground	
16	DVDD LVDS	LVDS power	
17	GND	Digital ground	
18	PIND3	Positive LVDS differential data input	
19	NIND3	Negative LVDS differential data input	
20	GND	Digital ground	
21	PINC	Positive LVDS differential clock input	
22	NINC	Negative LVDS differential clock input	
23	GND	Digital ground	
24	PIND2	Positive LVDS differential data input	
25	NIND2	Negative LVDS differential data input	
26	GND	Digital ground	
27	PIND1	Positive LVDS differential data input	

28	NIND1	Negative LVDS differential data input	
29	GND	Digital ground	
30	PIND0	Positive LVDS differential data input	
31	NIND0	Negative LVDS differential data input	
32	GND	Digital ground	
33	GND_LVDS	LVDS ground	
34	GRB	Global reset pin. Active low to enter reset state. Suggest to connecting with an RC reset circuit for stability. Normally pull high. (R=10K Ω , C=0.1 μ F)	
35	STBYB	Standby mode, normally pull high STBYB=" 1" , normal operation STBYB=" 0" ,timing control, source driver will turn off, all output are high-Z	
36	SHLR	Left or right display control	Note 1
37	DVDD	Digital power	
38	UPDN	Up / down display control	Note 1
39	AGND	Analog ground	
40	AVDD	Analog power	
41	VCOM	Common voltage	
42	DITH	Dithering function enable control. Normally pull low DITHER = "1" , Enable internal dithering function DITHER = "0" , Disable internal dithering function	
43	GND	Digital ground	
44	DVDD	Digital Power	
45	GND	Digital ground	
46	V7	Gamma correction voltage reference	
47	V6	Gamma correction voltage reference	
48	V5	Gamma correction voltage reference	
49	V4	Gamma correction voltage reference	
50	V3	Gamma correction voltage reference	
51	V2	Gamma correction voltage reference	
52	V1	Gamma correction voltage reference	
53	GND	Digital ground	
54	DVDD	Digital power	
55	SELB	6bit/8bit mode select, SELB = "0", LVDS input data is 8bits SELB = "1", LVDS input data is 6bits	Note 2
56	VGH	Positive power for TFT	
57	DVDD	Digital power for Gate IC	
58	VGL	Negative power for TFT	
59	GND	Digital ground for Gate IC	
60	NC	Not connect	

Remarks : Mating connector : 089K60-000100-G2-R (STARCONN)

Note 1 : UPDN and SHLR control function

UPDN	SHLR	FUNCTION
0	1	Normal display
0	0	Inverse Left and Right
1	1	Inverse Up and Down
1	0	Inverse Left and Right Inverse Up and Down



Note 2 : if LVDS input data is 6bits,SELB must must be set to High
if LVDS input data is 8bit , SELB must be set to Low
DITH and SELB control function

DITH	SELB	FUNCTION
0	1	Colors (262K)
0	0	Colors (262K)
1	1	Colors (262K)
1	0	Colors (16.2M)

5.2 Pin Assignment (LED)

PIN NO	SYMBOL	FUNCTION
1	A	Anode
2	K	Cathode

Note :

Maker:JST

Input connector : SHR-02V-S AWG#28 1.0A

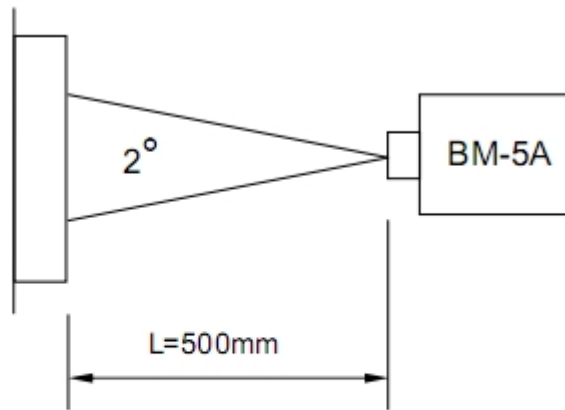
Outlet connector: SSH-003T-P0.2-H

6 Optical Characteristics

Ta = 25°C, VCC=3.3V

ITEM	SYMBOL	CONDITIONS	MIN	TYP	MAX	UNIT	NOTE	
Constrast Ratio	CR	Point-5	500	600	--	--	1, 2, 3	
Luminance(CEN)	Lw	Point-5	400	500	--	cd/m ²	1, 3	
Luminance Uniformity	ΔL		70	80	--	%	1, 3	
Response Time (White - Black)	Tr +Tf	Point-5	--	25	40	ms	1, 3, 5	
NTSC		-	Point-5	45	50	--	%	1, 4
Viewing Angle	Vertical	Upper(θ)	CR ≥ 10 Point-5	60	70	--	°	1, 4
		Down(θ)		40	50	--		1, 4
	Horizontal	Left(ϕ)		60	70	--		1, 4
		Right(ϕ)		60	70	--	°	1, 4
Color Coordinate	White	Wx	Point-5	0.273	0.313	0.353	--	1, 3
		Wy		0.289	0.329	0.369		
	Red	Rx		0.550	0.590	0.630		
		Ry		0.300	0.340	0.380		
	Green	Gx		0.301	0.341	0.381		
		Gy		0.554	0.594	0.634		
	Blue	Bx		0.117	0.157	0.197		
		By		0.075	0.115	0.155		

Note1: Measure condition : 25°C ±2°C , 60±10%RH , under10 Lux in the dark room.BM-5A (TOPCON) , viewing angle2° , IL=140 mA (Backlight current) , measurement after lighting on 10 mins.



Note2: Definition of contrast ratio :

$$\text{Contrast Ratio (CR)} = (\text{White}) \text{ Luminance of ON} + (\text{Black}) \text{ Luminance of OFF}$$

Note3: Definition of luminance : Measure white luminance on the point 5 as figure.6-1

Definition of Luminance Uniformity: Measure white luminance on the point1~9 as figure.6-1

$$\Delta L = [L(\text{MIN})/L(\text{MAX})] \times 100$$

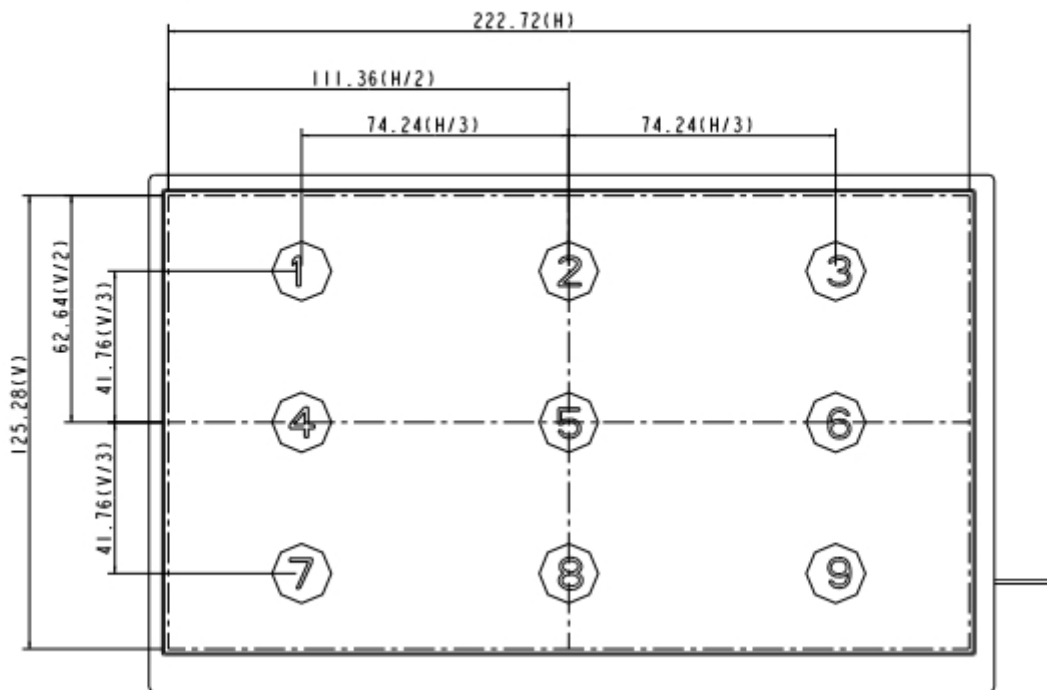


Fig.7-1 Measuring point

Note 4: Definition of Viewing Angle(θ, ψ),refer to Fig.7-2 as below :

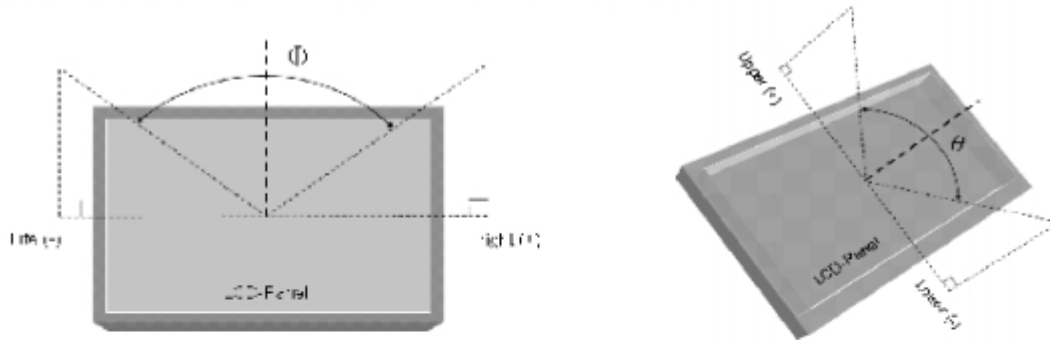


Fig.7-2 Definition of Viewing Angle

Note5: Definition of Response Time.(White-Black)

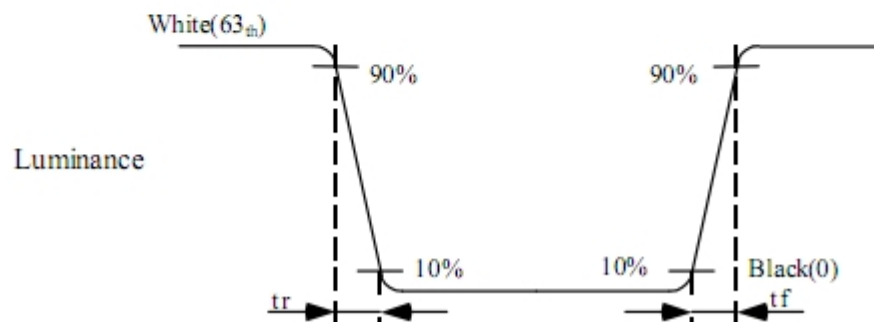
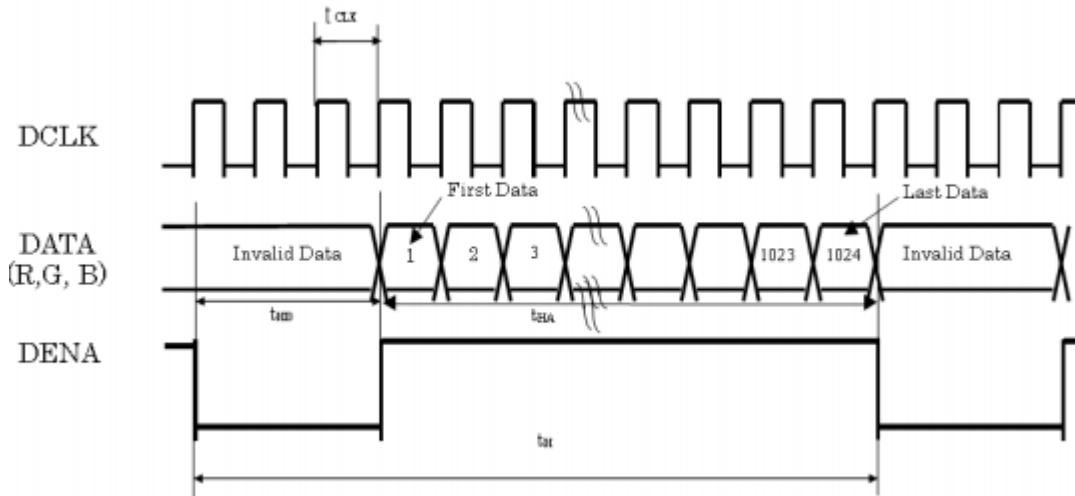


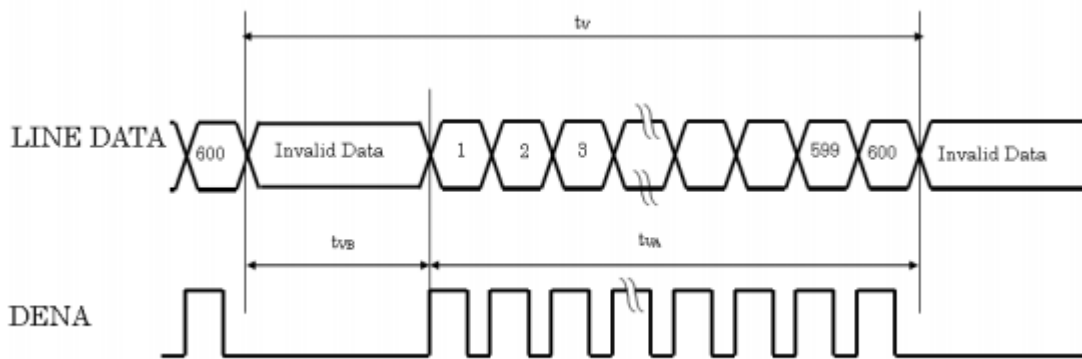
Fig.7-3 Definition of Response Time(White-Black)

7 Interface Timing

7.1 Horizontal Timing Sequence

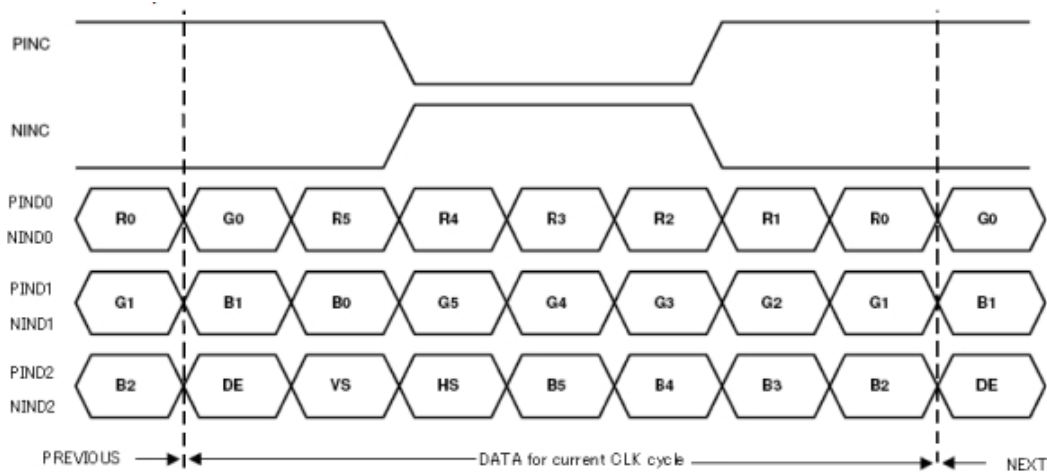


7.2 Vertical Timing Sequence

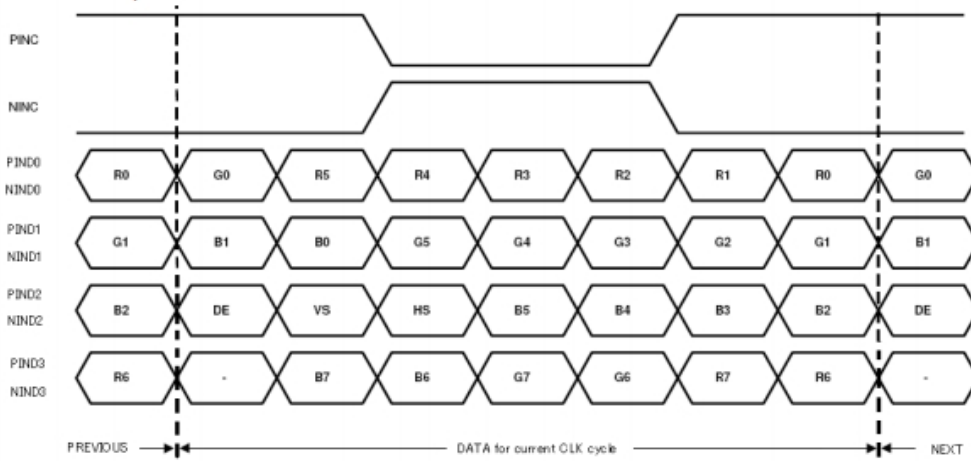


7.3 LVDS Input Data mapping

6 bit LVDS input

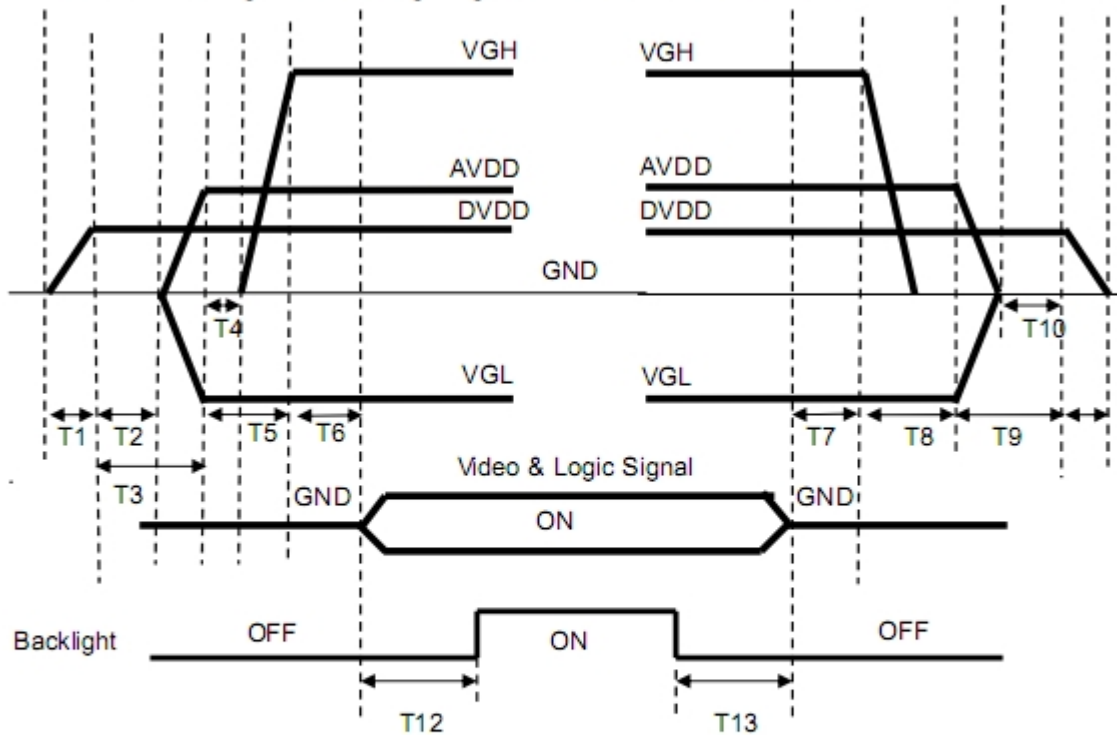


8 bit LVDS input



7.4 Power On/Off Sequence

Power On : DVDD→AVDD/VGL →VGH →Video & Logic Signal→Backlight
 Power Off : Backlight→Video & Logic Signal→VGH→AVDD/VGL→DVDD



$0 < T1 \leq 10\text{ms}$
 $T2 > 0\text{ms}$
 $T3 > 20\text{ms}$
 $T4 > 0\text{ms}$
 $T5 > 10\text{ms}$
 $0 < T6 \leq 10\text{ms}$
 $T12 \geq 200\text{ms}$

$T7 > 0\text{ms}$
 $T8 > 0\text{ms}$
 $T9 > 0\text{ms}$
 $T10 > 0\text{ms}$
 $0 < T11 \leq 10\text{ms}$
 $T13 \geq 200\text{ms}$

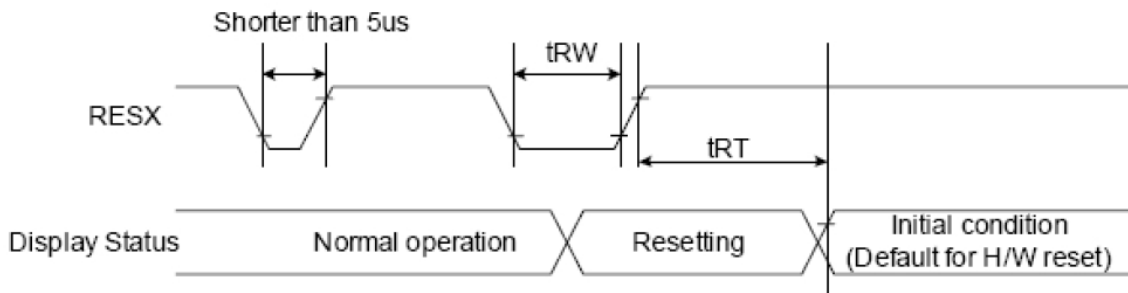
7.5 RESET TIMING

Parameter	Symbol	MIN	TYP	MAX	Unit	Remark
RESET	tRW	10	-	-	us	-
		-	-	5	ms	note 1
		-	-	120	ms	note 2

Tab.5-4 Reset input timing

Note1: When Reset applied during Sleep In Mode.

Note2: When Reset applied during Sleep Out Mode.



8 Reliability Condition for LCD

8.1. Temperature and humidity

TEST ITEMS	CONDITIONS	NOTE
High Temperature Operation	70°C ;240hrs	
High Temperature Storage	80°C ; 240hrs	
High Temperature High Humidity Operation	60°C ; 90%RH ;240hrs	No condensation
Low Temperature Operation	-20°C ; 240hrs	Backlight unit always turn on
Low Temperature Storage	-30°C ; 240hrs	
Thermal Shock	-30°C(0.5hr) ~ 80°C(0.5hr) ; 200 Cycles	
Image Sticking	25 °C ± 2 °C ; 4hrs	Note 1

Note 1. :

Condition of Image Sticking test : 25 °C ± 2 °C

Operation with test pattern sustained for 4hrs, then change to gray pattern immediately.
After 5 mins, the mura must be disappeared completely .

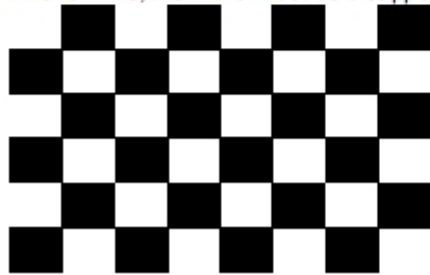


Image Sticking -pattern



Mid-Gray pattern

8.2. Shock and Vibration

TEST ITEMS	CONDITIONS
Shock (Non-operation)	<ul style="list-style-type: none"> ● Shock level: 980m/s²(equal to 100G). ● Waveform: half sinusoidal wave,6ms. ● Number of shocks: ±X,±Y,±Z axes for a total of six shock inputs.
Vibration (Non-operation)	<ul style="list-style-type: none"> ● Frequency range:8~33.3Hz ● Stoke : 1.3 mm ● Vibration: sinusoidal wave, perpendicular axis(both x, z axis: 2hrs ,y axis: 4hrs). ● Sweep: 2.9G,33.3 Hz -400 Hz ● Cycle time: 15 min

8.3 Electrostatic Discharge

TEST ITEM	CONDITIONS	Note
ESD	150pF · 330Ω · ±8kV&±15kV air& contact test	1
	200pF · 0Ω · ±200V contact test	2

Note: Measure

1: LCD glass and metal bezel

2: IF connector pins

8.4. Judgment standard

The Judgment of the above test should be made as follow:

Pass:Normal display image with no obvious non-uniformity and no line defect.Partial transformation of the module parts should be ignored.

Fail: No display image, function NG, or line defects.

9 DIMENSIONAL OUTLINE

