

**DISPLAY Elektronik GmbH**

**DATA SHEET**

**LCD MODULE**

**DEM 128064A FGH-PW  
(A-TOUCH)**

*Product Specification*

*Version: 3*

**30.09.2008**

# GENERAL SPECIFICATION

---

## MODULE NO. : DEM 128064A FGH-PW (A-TOUCH)

VERSION NO.	CHANGE DESCRIPTION	DATE
0	ORIGINAL VERSION	08.04.2008
1	CHANGE MECHANICAL DRAWING	04.06.2008
2	UPDATE MECHANICAL DRAWING	18.06.2008
3	UPDATE PCB DESCRIPTION	25.09.2008

PREPARED BY: XYP

DATE: 25.09.2008

APPROVED BY: MH

DATE: 30.09.2008

# CONTENTS

1. FUNCTIONS & FEATURES .....	2
2. MECHANICAL SPECIFICATIONS .....	2
3. EXTERNAL DIMENSIONS .....	3
4. TOUCH PANEL DRAWING.....	3
5. BLOCK DIAGRAM.....	4
6. PIN ASSIGNMENT .....	5
7 PCB DRAWING AND DESCRIPTION .....	5
8. BACKLIGHT ELECTRICAL/OPTICAL CHARACTERISTICS .....	7
9. APPLICATION CIRCUIT .....	8
10. MAXIMUM ABSOLUTE POWER RATINGS ( TA=25°C).....	8
11. ELECTRICAL CHARACTERISTICS .....	9
12. DISPLAY CONTROL INSTRUCTION.....	11
13. LCD MODULES HANDLING PRECAUTIONS.....	14
14. OTHERS .....	14

**1. FUNCTIONS & FEATURES**

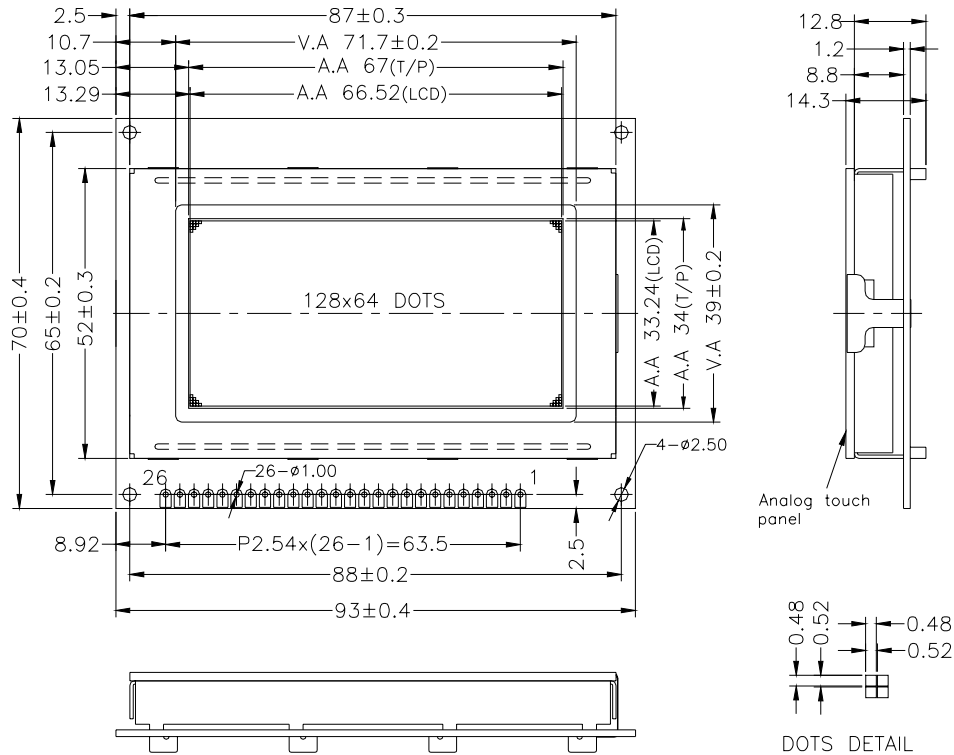
Module	LCD Type
DEM 128064A FGH-PW (A-TOUCH)	FSTN Transflective Positive Mode

- Viewing Direction : 6 O'clock
- Driving Scheme : 1/64 Duty Cycle, 1/9 Bias
- Power Supply Voltage : 5.0 V (typ.)
- V<sub>LCD</sub> Adjustable For Best Contrast : 12.9 V (typ.)
- Display Contents : 128 x 64 Dots
- Operating Temperature : - 20°C to + 70°C
- Storage Temperature : - 25°C to + 75°C
- Interface RAM : 512 bytes (4096 bits)
- Interface : 8 bit parallel display data from MPU
- Touch-Panel : Analog-4-Wire-Resistive-Touch-Panel on board

**2. MECHANICAL SPECIFICATIONS**

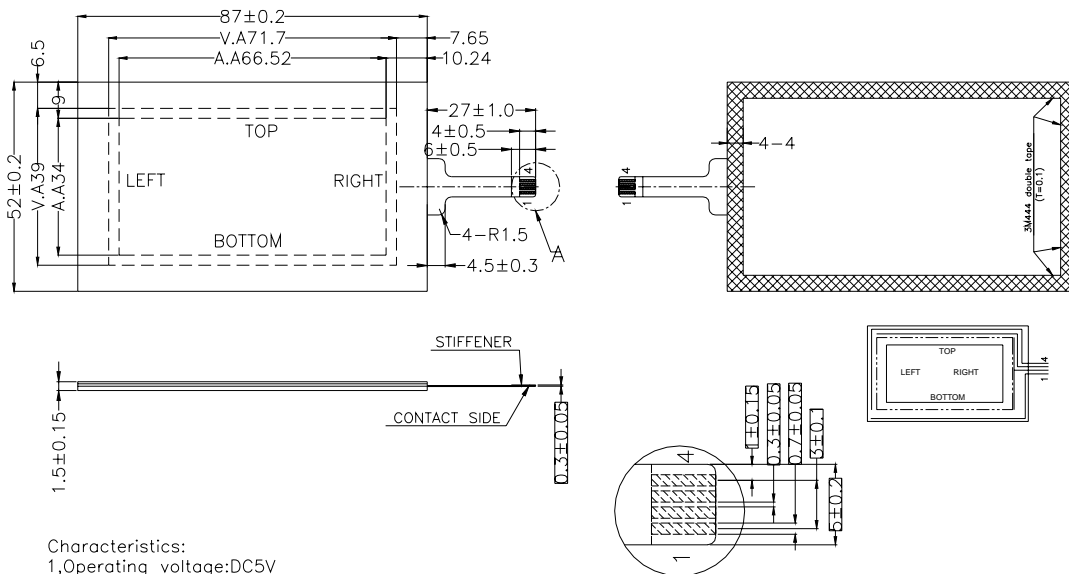
- Module Size : 93.00 x 70.00 x 14.30 mm
- Viewing Area : 71.70 x 39.00 mm
- Active Area : 66.52 x 33.24 mm
- Dot Size : 0.48 x 0.48 mm
- Dot Pitch : 0.52 x 0.52 mm
- Dot gap : 0.04 mm

**3. EXTERNAL DIMENSIONS**



REMARKS:  
 1, UNMARKED TOLERANCE IS ±0.3  
 2, THE MATERIAL COMPLY WITH RoHS

**4. TOUCH PANEL DRAWING**

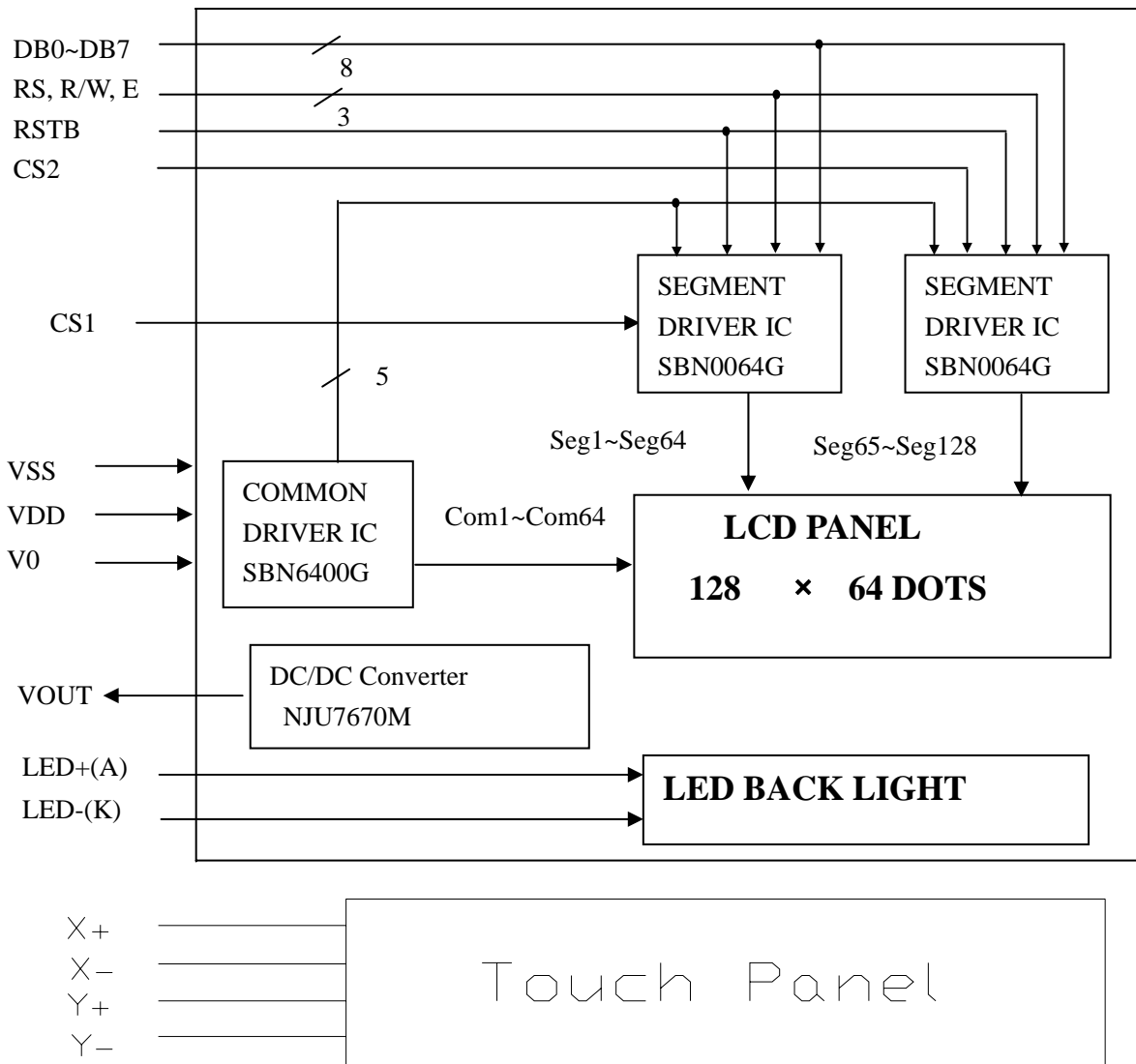


Characteristics:  
 1, Operating voltage: DC5V  
 2, Operating pressure: 30~70g  
 3, Linearity: ±1.5% or less  
 4, Operating temperature: -20°C~+70°C  
 5, Storage temperature: -25°C~+75°C  
 6, Humidity: <90%RH  
 7, Transmittance: 75% or more  
 8, Connector: FPC  
 9, Film Type: Anti\_Glare  
 10, Lifetime: 1000000 times  
 11, Response time: <10ms

TOUCH PANEL	
No	SYMBOL
1	BOTTOM
2	RIGHT
3	TOP
4	LEFT

Remarks:  
 1, Unmarked tolerance is ±0.3,  
 2, The material comply with RoHS.

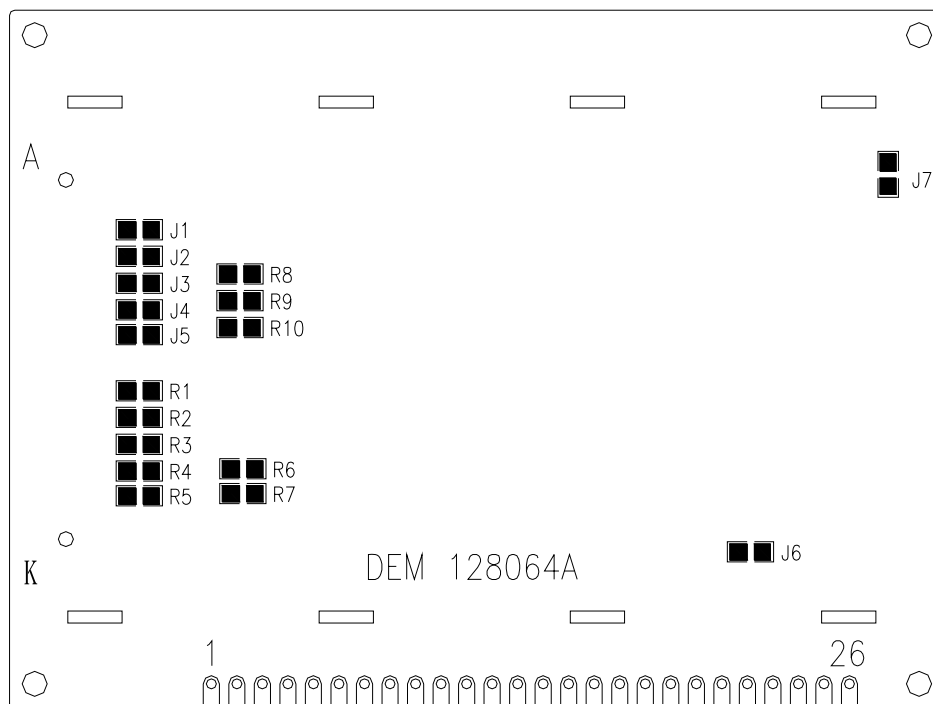
**5. BLOCK DIAGRAM**



**6. PIN ASSIGNMENT**

Pin No.	Symbol	Function
1	Y-	Y- Position input.
2	X-	X- Position input.
3	Y+	Y+ Position input
4	X+	X+ Position input.
5	VSS	Ground
6	VDD	Power supply voltage for logic,+ 5.0V.
7	V0	Input voltage for LCD
8	RS	Register select RS = 0...Instruction register      RS = 1...Data register
9	R/W	Read /Write R/W = 1...Read      R/W = 0...Write
10	E	Chip enable signal
11	DB0	Data bit 0
12	DB1	Data bit 1
13	DB2	Data bit 2
14	DB3	Data bit 3
15	DB4	Data bit 4
16	DB5	Data bit 5
17	DB6	Data bit 6
18	DB7	Data bit 7
19	CS1	Chip select signal for SBN0064G(1)
20	CS2	Chip select signal for SBN0064G(2)
21	RSTB	Reset signal
22	VOOUT	Output voltage for LCD,-9.5V
23	LED+(A)	Please also refer to 6. PCB drawing and description.
24	LED-(K)	
25	NC	No connection
26	NC	No connection

**7. PCB DRAWING AND DESCRIPTION**



**DESCRIPTION:**

**7-0-1. The polarity of the pin 23 and the pin 24:**

J2, J4	J1, J3	LED Polarity	
		23 Pin	24 Pin
Each open	Each close	Anode	Cathode
Each close	Each open	Cathode	Anode

Note: In module application, J1=J3=0 ohm, J2=J4=open.

**7-0-2. The LED resistor should be bridged when the J5 is solder-Bridge.**

Note: In module application, J5=open.

**7-0-3. The R8, R9 and R10 are the LED resistor.**

Note: In module application, R8=R9=33 ohm, R10= open.

**7-0-4. The metal-bezel should be on ground when the J7 is solder-Bridge.**

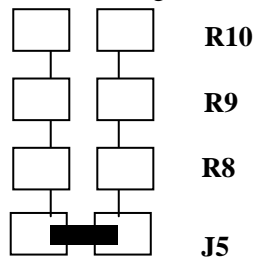
Note: In module application, J7=0 ohm.

**7-0-5. The mounting holes should be on ground when the J6 is solder-bridge.**

Note: In module application, J6=0 ohm.

**7. 1 Example application**

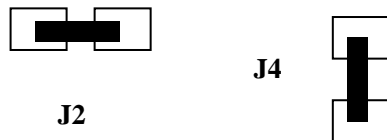
7-1-1. The LED resistor should be bridged as following.



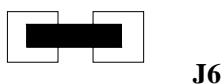
7-1-2. The 23 pin is the anode and the 24 pin is the cathode as following.



7-1-3. The 23 pin is the cathode and the 24 pin is the anode as following.



7-1-4. The bezel should be on ground as following



7-1-5. The mounting hole should be on ground as following:

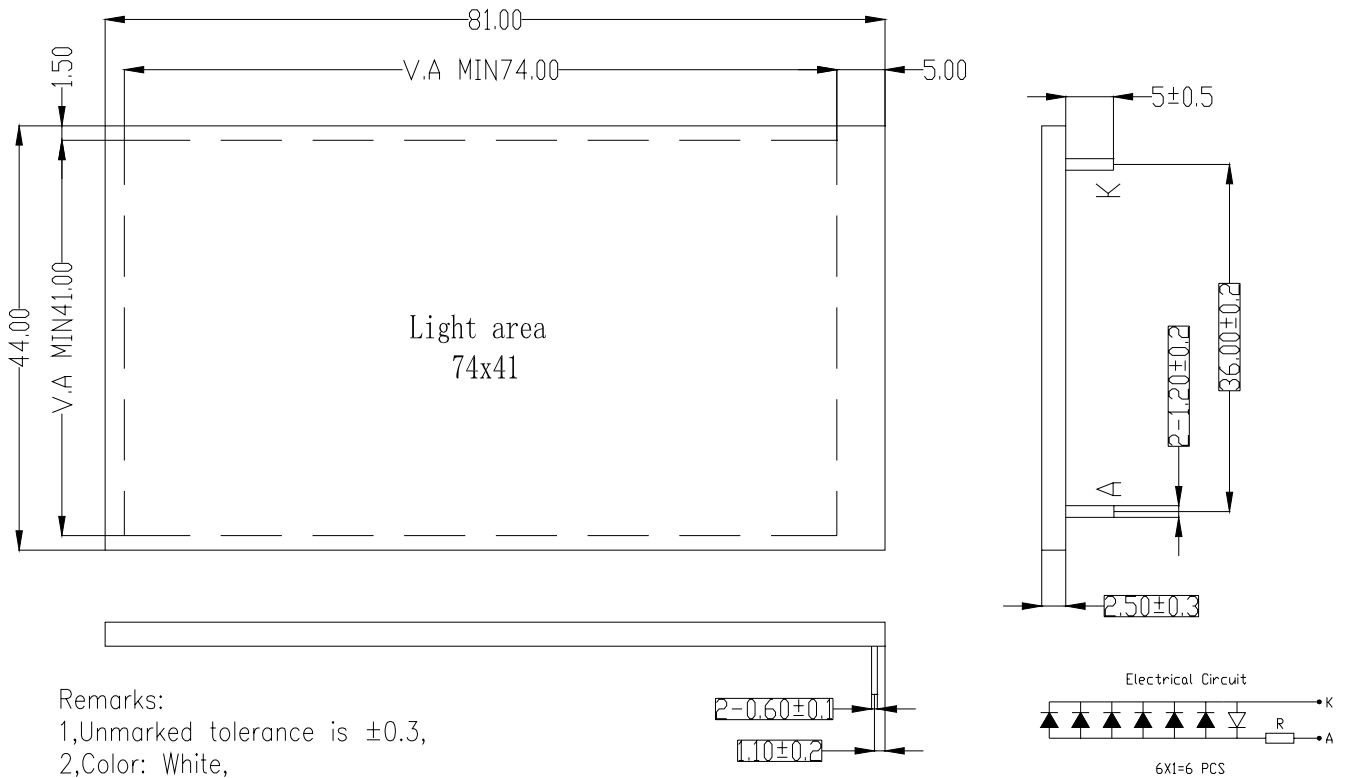




**8. BACKLIGHT ELECTRICAL/OPTICAL CHARACTERISTICS**

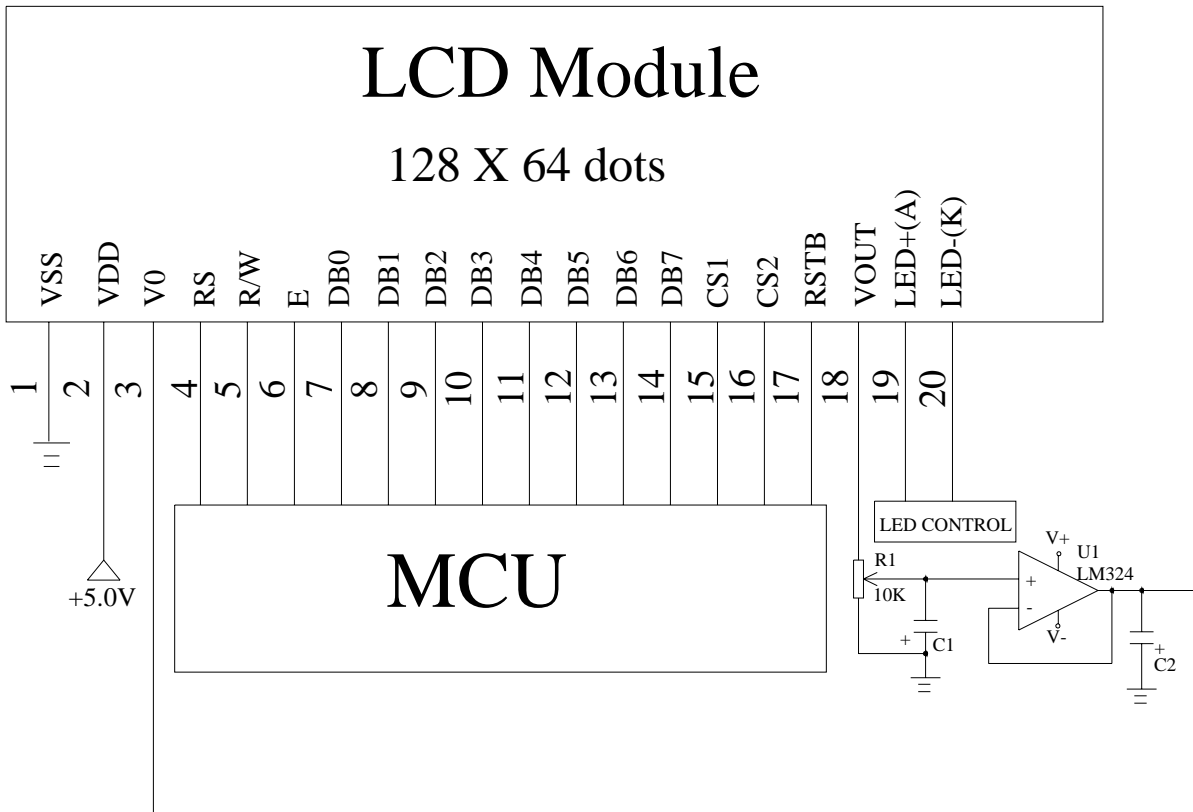
Electronics/Optical Specifications:

	SYMBOL	MIN.	TYP.	MAX.	UNIT	CONDITIONS
Forward Voltage	V <sub>f</sub>		4.0		V	
Forward Current	I <sub>f</sub>		90	120	mA	V <sub>f</sub> = 4.0 V
Power Dissipation	P <sub>d</sub>		0.36		W	V <sub>f</sub> = 4.0 V
Reverse Voltage	V <sub>r</sub>			5.0	V	
Reverse Current	I <sub>r</sub>			0.4	mA	
Luminous Intensity	L <sub>v</sub>	150	250		cd/m <sup>2</sup>	V <sub>f</sub> = 4.0 V
Luminous Uniformity	ΔL <sub>v</sub>	70			%	V <sub>f</sub> = 4.0 V
Emission Wavelength	X	0.27		0.32		I <sub>f</sub> =20mA T <sub>a</sub> =25° Each chip
	Y	0.27		0.32		



- Remarks:
- 1, Unmarked tolerance is ±0.3,
  - 2, Color: White,
  - 3, The material comply with RoHs.

9. APPLICATION CIRCUIT



- NOTE:** 1. R1 is the contrast resistor.  
 2. VOUT=-9.5V  
 3. Adjust R1, it will be best contrast when V0 is -7.9V.

10. MAXIMUM ABSOLUTE POWER RATINGS ( Ta=25°C)

Item	Symbol	Standard value	Unit
Supply voltage for logic	V <sub>DD</sub>	-0.3~+7.0	V
Supply voltage	V <sub>EE</sub>	VDD-16 (MIN.)	V
Driver supply voltage	V <sub>0</sub> -V <sub>5</sub>	13 (MAX.)	V
Operating temperature	T <sub>opr</sub>	-20~+70	°C
Storage temperature	T <sub>stg</sub>	-25~+75	°C

11. ELECTRICAL CHARACTERISTICS

11-1 DC Characteristics ( $V_{DD}=5V, V_{SS}=0V, T_a=25^{\circ}C$ )

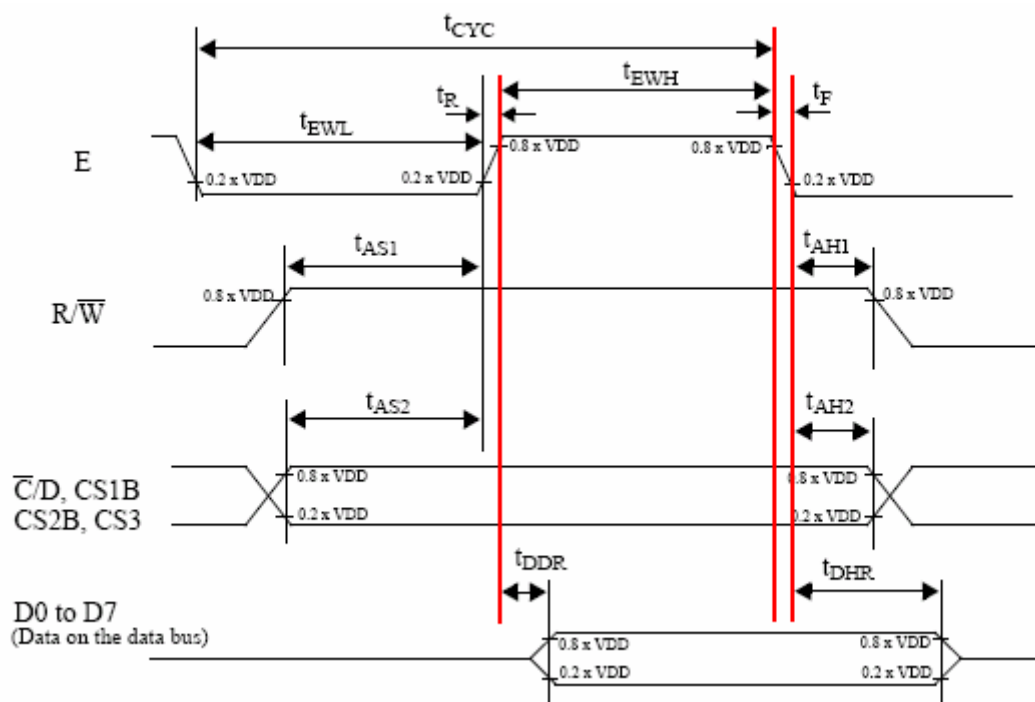
Item	Symbol	Standard Value			Test Condition	Unit
		MIN	TYP	MAX		
Supply current for logic	$V_{DD}$	4.7	5.0	5.3	-----	V
Supply current for logic	$I_{DD}$	----	TBD	----	-----	mA
Supply current for LCD	$V_{LCD}$	12.7	12.9	13.0	25°C	

11-2 AC Characteristics

11-2-1. AC timing for writing to the SBN0064G

( $V_{DD} = 5 V ; V_{SS} = 0 V ; T_{amb} = 25^{\circ}C.$ )

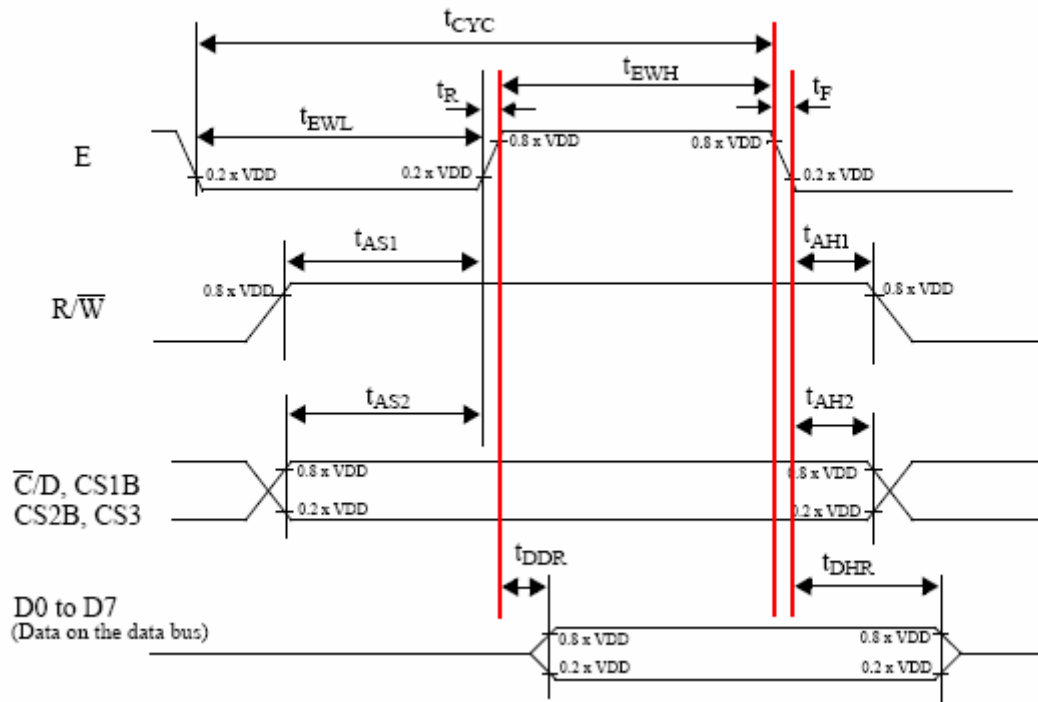
symbol	parameter	min.	max.	test conditions	unit
$t_{CYC}$	Enable (E) cycle time	1000			ns
$t_{EWL}$	Enable (E) LOW width	450			
$t_{EWH}$	Enable (E) HIGH width	450			
$t_R$	Enable (R) rise time		20		
$t_F$	Enable (F) fall time		20		
$t_{AS1}$	Write set-up time	140			
$t_{AH1}$	Write hold time	10			
$t_{AS2}$	C/D, CS1B, CS2B, CS3 set-up time	140			
$t_{AH2}$	C/D, CS1B, CS2B, CS3 hold time	10			
$t_{DSW}$	Data setup time (on the data bus)	200		The loading on the data bus is shown in Fig. 18.	
$t_{DHW}$	Data hold time (on the data bus)	10			



11-2-2. AC timing for reading from the SBN0064G

(VDD = 5 V; VSS = 0 V; Tamb = 25°C.)

symbol	parameter	min.	max.	test conditions	unit
t <sub>CYC</sub>	Enable (E) cycle time	1000			ns
t <sub>EWL</sub>	Enable (E) LOW width	450			
t <sub>EWH</sub>	Enable (E) HIGH width	450			
t <sub>R</sub>	Enable (R) rise time		20		
t <sub>F</sub>	Enable (F) fall time		20		
t <sub>AS1</sub>	READ set-up time	140			
t <sub>AH1</sub>	READ hold time	20			
t <sub>AS2</sub>	C/D, CS1B, CS2B, CS3 set-up time	140			
t <sub>AH2</sub>	C/D, CS1B, CS2B, CS3 hold time	10			
t <sub>DDR</sub>	Data delay time (on the data bus)	320		The loading on the data bus is shown in Fig. 18.	
t <sub>DHR</sub>	Data hold time (on the data bus)	20			



**12. DISPLAY CONTROL INSTRUCTION**

**Registers and their states after hardware RESET**

The SBN0064G has 5 registers. Four of them must be programmed by the host microcontroller after hardware reset. The Status Register can be read by the host microcontroller to check the current status of the SBN0064G.

The registers and their states after RESET is given in Table 5.

**Table 5** Registers and their states after RESET

Register Name	Description	States after RESET
Display ON/OFF Register	The Display ON/OFF Register is a 1-bit register. After RESET, its value is LOW and, therefore, the LCD display is turned OFF.	0
Display Start Line Register	The Display Start Line Register is a 6-bit register. After RESET, its value is 00 0000 and, therefore, Row 0 of the Display Data Memory is mapped to COM0 of LCD panel.	00 0000
Page Address Register	The Page Address Register is a 3-bit register. It point to a page of the Display Data Memory.	xxx
Column Address Register	The Column Address Register is a 6-bit register.	xx xxxx
Status Register	The Status Register shows the current state of the SBN0064G. It is a 3-bit register, with each bit showing the status of a programmed function.	0010 0000

**12-1. Display ON/OFF and the Display ON/OFF Register**

**Table 6** Setting of the control bus for programming the Display ON/OFF Register

C/D	R/W
0	0

**Table 7** Setting of the data bus for programming the Display ON/OFF Register

D7(MSB)	D6	D5	D4	D3	D2	D1	D0(LSB)
0	0	1	1	1	1	1	D0

When D0=1, the code is 3F(Hex) and the display is turned ON. When D0=0, the code is 3E(Hex) and the display is turned OFF.

**12-2. Display Start Line and the Display Start Line Register**

**Table 8** The setting of the control bus for programming the Display Start Line Register

C/D	R/W
0	0

**Table 9** The setting of the data bus for programming the Display Start Line Register

D7(MSB)	D6	D5	D4	D3	D2	D1	D0(LSB)
1	1	A5	A4	A3	A2	A1	A0

A5 ~ A0 are Display Start Line address bits and can be programmed with a value in the range from 0 to 63. Therefore, the code can be from 1100 0000 (C0 Hex) to 1111 1111 (FF Hex).

**12-3. Display Data Memory Page and the Page Address Register**

**Table 10** The setting of the control bus for programming the Page Address Register

C/D	R/W
0	0

**Table 11** The setting of the data bus for programming the Page Address Register

D7(MSB)	D6	D5	D4	D3	D2	D1	D0(LSB)
1	0	1	1	1	A2	A1	A0

A2, A1 and A0 are page address bits and can be programmed with a value in the range from 0 to 7. A2 A1 A0=000 selects Page 0; A2 A1 A0=001 selects Page 1; A2 A1 A0=010 selects Page 2, and A2 A1 A0=011 selects Page 3...etc. Therefore, the code can be from 1011 1000 (B8 Hex) to 1011 1111 (BF Hex).

**12-4. Column address and the Column Address Register**

**Table 12** The setting of the control bus for programming the Column Address Register

C/D	R/W
0	0

**Table 13** The setting of the data bus for programming the Column Address Register

D7(MSB)	D6	D5	D4	D3	D2	D1	D0(LSB)
0	1	A5	A4	A3	A2	A1	A0

A5~A0 are column address bits and can be programmed with a value in the range from 0 to 63. Therefore, the code can be from 0100 0000 (40 Hex) to 0111 1111 (7F Hex).

**12-5. Status Read and Status Register**

**Table 14** The setting of the control bus for reading the Status Register

C/D	R/W
0	1

**Table 15** The Status Register bit allocation

D7(MSB)	D6	D5	D4	D3	D2	D1	D0(LSB)
BUSY	0	ON/OFF	RESET	0	0	0	0

**Table 16** The Status Register bit description

Bit	Description
BUSY	BUSY=1 indicates that the SBN0064G is currently busy and can not accept new code or data. The SBN0064G is executing an internal operation.  BUSY=0 indicates that the SBN0064G is not busy and is ready to accept new code or data.
ON/OFF	The ON/OFF bit indicates the current of status of display.  If ON/OFF=0, the display has been turned ON.  If ON/OFF=1, the display has been turned OFF.  Note that the polarity of this bit is inverse to that of the Display ON/OFF Register.
RESET	RESET=1 indicates that the SBN0064G is currently in the process of being reset.  RESET=0 indicates that the SBN0064G is currently in normal operation.

**12-6. READ OR WRITE OPERATION TO THE DISPLAY DATA MEMORY****Table 17** READ/WRITE operation

Operation	DATA								Description
	D7	D6	D5	D4	D3	D2	D1	D0	
Write Display Data	Data to be written into the Display Data Memory.								Write a byte of data to the Display Data Memory. The data to be written is put on the data bus by the host microcontroller.
Read Display Data	Data read from the Display Data Memory output latch.								Read a byte of data from the Display Data Memory. The data read from the internal 8-bit output latch (refer to Fig. 12) appears on the data bus. A dummy read is needed to get correct value.

**Table 18** The setting of the control bus for Write Display Data operation

C/D	R/W
1	0

**Table 19** The setting of the control bus for Read Display Data command

C/D	R/W
1	1

**13. LCD MODULES HANDLING PRECAUTIONS**

- Please remove the protection foil of polarizer before using.
- The display panel is made of glass. Do not subject it to a mechanical shock by dropping it from a high place, etc.
- If the display panel is damaged and the liquid crystal substance inside it leaks out, do not get any in your mouth. If the substance comes into contact with your skin or clothes promptly wash it off using soap and water.
- Do not apply excessive force to the display surface or the adjoining areas since this may cause the color tone to vary.
- The polarizer covering the display surface of the LCD module is soft and easily scratched. Handle this polarizer carefully.
- To prevent destruction of the elements by static electricity, be careful to maintain an optimum work environment.
  - Be sure to ground the body when handling the LCD module.
  - Tools required for assembly, such as soldering irons, must be properly grounded.
  - To reduce the amount of static electricity generated, do not conduct assembly and other work under dry conditions.
  - The LCD module is coated with a film to protect the display surface. Exercise care when peeling off this protective film since static electricity may be generated.
- Storage precautions  
When storing the LCD modules, avoid exposure to direct sunlight or to the light of fluorescent lamps. Keep the modules in bags designed to prevent static electricity charging under low temperature / normal humidity conditions (avoid high temperature / high humidity and low temperatures below 0°C). Whenever possible, the LCD modules should be stored in the same conditions in which they were shipped from our company.

**14. OTHERS**

- Liquid crystals solidify at low temperature (below the storage temperature range) leading to defective orientation of liquid crystal or the generation of air bubbles (black or white). Air bubbles may also be generated if the module is subjected to a strong shock at a low temperature.
- If the LCD modules have been operating for a long time showing the same display, patterns may remain on the screen as ghost images and a slight contrast irregularity may also appear. Abnormal operating status can be resumed to be normal condition by suspending use for some time. It should be noted that this phenomena does not adversely affect performance reliability.
- To minimize the performance degradation of the LCD modules resulting from caused by static electricity, etc. exercise care to avoid holding the following sections when handling the modules:
  - Exposed area of the printed circuit board
  - Terminal electrode sections