

Display Elektronik GmbH

DATA SHEET

LED-DISPLAYS

Product Catalogue

12/2019

Ver. 1

CONTENTS

- PART NUMBERING SYSTEM	PAGE 01
- RELIABILITY TESTS	PAGE 04
- DISPLAY USING INSTRUCTIONS	PAGE 05
- ABSOLUTE MAXIMUM RATINGS	PAGE 06
- TYPICAL ELECTRICAL DATA	PAGE 07
- SINGLE DIGIT LED DISPLAYS	PAGE 08
- DUAL DIGIT LED DISPLAYS	PAGE 35
- THREE DIGIT LED DISPLAYS	PAGE 48
- FOUR DIGIT LED DISPLAYS	PAGE 53
- DOT MATRIX LED DISPLAYS	PAGE 63
- LED BACKLIGHTS	PAGE 76
- CUSTOMIZED LED DISPLAYS	PAGE 76

DISPLAY (Including 7-Segment Display, Alphanumeric Display, Clock Display)

DEL X X X - XX X XX - X X X

Version 1,2,3...9

Surface Ink Color:
0-White 1-Black 2-Gray 3-Red

Polarity
A-Common Anode C-Common Cathode
U-Universal

Dice Code:
UB-InGaN/SiC Blue TB-InGaN/Al2O3 Blue
PG-InGaN/SiC Pure Green GU-Gap/Gap Yellow Green
UG-AlGaInP/GaAs Yellow Green HY-GaAsP/GaP Yellow
UY-AlGaInP/GaAs Yellow YO-AlGaInP/GaAs
HO-GaAsP/GaP Orange UR-AlGaInP/GaAs Red
SR-AlGaAs/GaAs Red
D1-HO+GU D2-SR+GU D3-SD+GU

Segment Type
0-Water Clear 1-White 2-Red 3-Orange
4-Yellow 5-Green T-Tape for Air Gap

Digit Height (inch)
30-0.3" 56-0.56" A0-1.0" A2-1.2"
B0-2.0" C0-3.0" D0-4.0" E0-5.0"

Digit Count Statement
1-Single Digit (8, 18, ☒,1 ☒)
2-Dual Digit (88, 188, ☒ ☒£1 ☒ ☒)
3-Triad Digit (888,1888, ☒ ☒ ☒ ,1 ☒ ☒ ☒)

9-Nine Digit (888..... ☒ ☒)

D- 7-Segment Display (8)
E- 18, 188, 1888.....
X-Alphanumeric Display (☒, ☒ ☒, ☒ ☒ ☒)
Y- 1 ☒,1 ☒ ☒ 1 ☒ ☒ ☒
B-Bonding Type Product

For Example: DEL BD2-561UR-A21

Description: Display, 2-Digit, Grey Surface, White Diffused Segments, Digit Height 0.56"
AlGaInP/GaAs Red,Common-Anode

DOT MATRIX

DEL X X X - XX XX XX - X X X X

Version 1,2,3...

Surface Ink Color:
0-White 1-Black 2-Gray 3-Red

Dot Color
0-Water Clear 1-White 2-Red 3-Orange T-Tape

Polarity (Row)
A-Common Anode C-Common Cathode
U-Universal

Dice Code
UB-InGaN/SiC Blue TB-InGaN/Al2O3 Blue
PG-InGaN/SiC Pure Green GU-Gap/Gap Yellow Green
UG-AlGaInP/GaAs Yellow Green HY-GaAsP/GaP Yellow
UY-AlGaInP/GaAs Yellow YO-AlGaInP/GaAs
HO-GaAsP/GaP Orange UR-AlGaInP/GaAs Red
SR-AlGaAs/GaAs Red
D1-HO+GU,D2-SD+UG,D3-SR+GU
F1-HO+GU+UB F2-HO+PG+UB F3-UR+GU+UB
F4-SR+GU+UB

Reflector Height (Inch)
08-0.8" 24-2.4"

Type of Dot Matrix (Length by Height)
57-5x7 88-8x8 80-8x10 AA-11x11 FF-16x16

Dot Size (mm)
4-3.75mm 5-5mm 0-10mm A-11mm
E-15mm S-Square Dot

M-Dot Matrix

B-Bonding Type S-Surface Mounting Type
P-PCB Assembly Type

For Example: DEL BM5-8824SR-A111

Description: Dot Matrix, 5mm Dot, 8x8, Height 2.4", Single-Color, Black Surface, White
Diffused Dot, Common-Anode

BACKLIGHT

DE LP-XXXXX-XXXXXXXXXX-XX

- Version 01,02,...99
- Emitting Color
 - UB-InGaN/SiC Blue TB-InGaN/Al2O3 Blue
 - PG-InGaN/SiC Pure Green GU-Gap/Gap Yellow Green
 - UG-AlGaInP/GaAs Yellow Green HY-GaAsP/GaP Yellow
 - UY-AlGaInP/GaAs Yellow YO-AlGaInP/GaAs
 - HO-GaAsP/GaP Orange UR-AlGaInP/GaAs Red
 - SR-AlGaAs/GaAs Red
- Dimension of Width
 - 008-7.5~8.4mm 015-15mm 108-108mm
- Dimension of Length
 - 009-8.5~9.4mm 016-16mm 209-209mm
- Number of Chips
 - 008-8pcs 018-18pcs 180-180pcs
- BL- Back Light

For Example: DE LP-BL003-097063CW-01
Back-Light, Cool White 3PCS LED, 97mmx63mm

RELIABILITY TESTS

CLASSIFICATION	TEST ITEM	DESCRIPTION AND TEST CONDITION	REFERENCE STANDARD	
ENDURANCE TEST	OPERATION LIFE	To evaluate resistance of the device when it operated at electrical stress		
		Ta=25°C +/- 2°C	MIL-STD-750:1036	
		If=12mA~25mA per segment or	MIL-STD-883:1005	
		Ip=80mA/ duty=1/8, PW=1.25mS	JIS C7021:B-1	
		Ip=160mA/duty=1/16, PW=1mS		
			Test time=1000HRS(-24HRS,+72HRS)	
	HIGH TEMPERATURE HIGH HUMIDITY STORAGE	To evaluate resistance of the device when it store for a long term at high temperature and high humidity	MIL-STD-202:103B	
		Ta=65°C +/- 5°C RH=90~95%	JIS C7021:B-11	
			Test time=240HRS +/- 2HRS	
	HIGH TEMPERATURE HIGH HUMIDITY REVERSE BIAS	To evaluate resistance of leakage current against long term thermal, humidity and electrical stress		
Ta=65°C +/- 5° RH=90~95% VR=5V				
		Test time=500HRS(-24HRS,+48HRS)		
HIGH TEMPERATURE STORAGE	To evaluate device's durability for long term storage in high temperature	MIL-STD-883:1008		
	Ta=85°C +/- 5°C (COB:Ta=65°C +/- 5°C)	JIS C7021:B-10		
		Test time=1000HRS(-24HRS,+72HRS)		
LOW TEMPERATURE STORAGE	To evaluate device's durability for long term storage in low temperature	JIS C7021:B-12		
	Ta=-35°C +/- 5°C			
		Test time=1000HRS(-24HRS,+72HRS)		
ENVIRONMENTAL TEST	TEMPERATURE CYCLING	To evaluate resistance of device under thermal stress, expansion and contraction	MIL-STD-202:107D	
		+85°C ~ +25°C ~ -35°C ~ +25°C	MIL-STD-750:1051	
		30min 5min 30min 5min	MIL-STD-883:1010	
		10cycles(COB: Thot=65°C, Tcold=-25°C)	JIS C7021:A-4	
	THERMAL SHOCK	To evaluate device's structural and mechanical resistance when suddenly exposed at serious changes	MIL-STD-202:107D	
		85°C +/-5°C ~ -35°C +/- 5°C	MIL-STD-750:1051	
		10min 10min	MIL-STD-883:1011	
		10cycles(COB: Thot=65°C, Tcold=-25°C)		
	SOLDER RESISTANCE	To evaluate resistance of thermal stress caused by soldering	MIL-STD-202:210A	
		T.sol=260°C +/-5°C	MIL-STD-750:2031	
		Dwell time=10sec +/-1sec	JIS C7021:A-1	
	SOLDERABILITY	To evaluate solder ability on leads of device	MIL-STD-202:208D	
		T.sol=230°C +/- 5°C	MIL-STD-750:2026	
		Dwell time=5sec +/- 1sec	MIL-STD-883:2003	
		JIS C7021:A-2		

CLEANING

If cleaning is necessary, please wipe the pin out with alcohol, Freon TE or Chorosen at normal temperature for less than 1 minute, or wipe the surface with alcohol. Other chemical solutions may harm the surface of display.

SOLDERING

- a: Hand Soldering--- 295°C +/-5°C in 3 seconds
- b: Dip Soldering--- 260°C +/-5°C in 5 seconds
- c: Automatic Soldering--- Pre-heating 70°C ~ 80°C in 30 seconds, soldering 245°C +/-5°C in 5 seconds.

DRIVING CIRCUIT

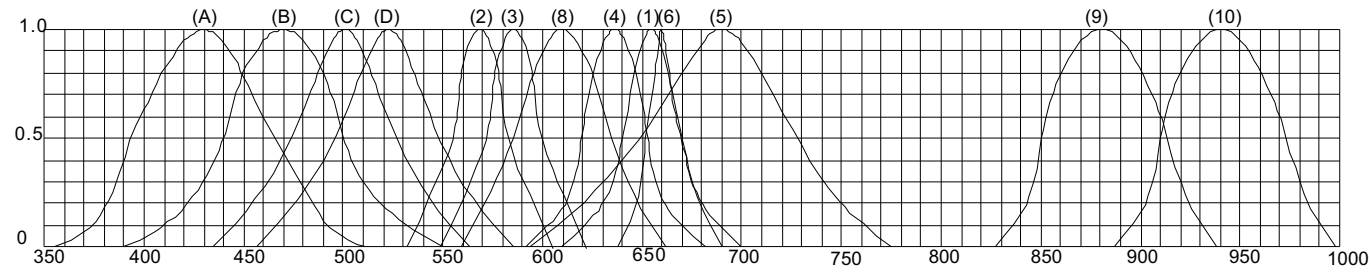
- a: Recommended Forward Current: 5mA ~ 20mA
- b: Need put resistors in application circuit . Resistor values can be determined by supplying voltage.
- c: Circuit must be designed so that overvoltage or overcurrent is not applied LED during on/off switching. Transient or pulse will damage the junction of LED die.
- d: When using the pulse drive, care must be taken to keep the average current within the rated figures.

BRIGHTNESS

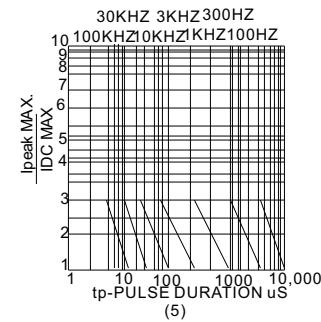
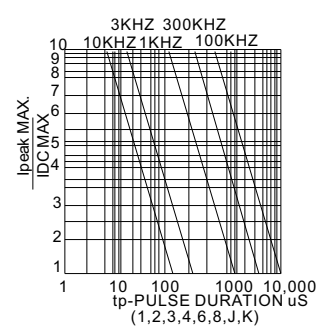
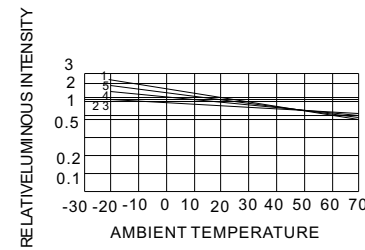
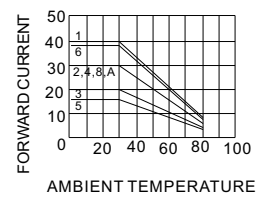
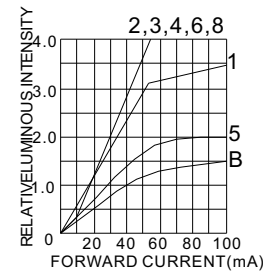
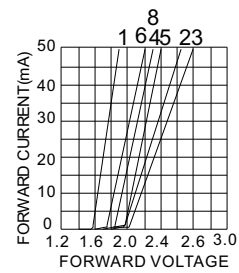
- a: For the obtaining even brightness. Each segment should be at the same current, so the best circuit is to supply constant current for each segment.
- b: To increase brightness, increase current. But do not over the maximum rating.

Test Condition For Each Parameter and Absolute Maximum Ratings				
Parameter	Symbol	Test Condition	Rating	Unit
Reverse Voltage	VR	⊙	⊙	V
Reverse Current	IR	VR=5.0V	<100uA	uA
Forward Voltage	VF	IF=20mA	⊙	V
Luminous Intensity	IV	IF=10mA	⊙	mcd
Spectral Line Half-Width	iλ	IF=20mA	⊙	nm
Power Dissipation	PD	IF=20mA	⊙	mW
Peak Forward Current (Duty 1/10 1KHZ)	IF(PEAK)	IF(PEAK)=100mA	⊙	mA
Operating Temperature Range	Topr	⊙	-40 ~ +80	°C
Storage Temperature Range	Tstg	⊙	-40 ~ +100	°C

TYPICAL ELECTRICAL OPTICAL



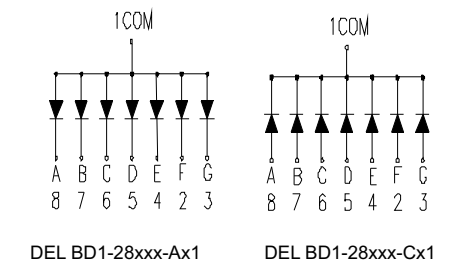
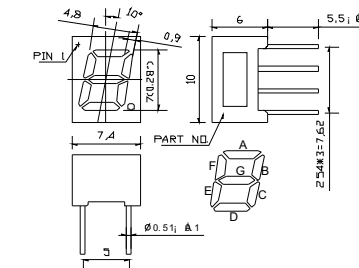
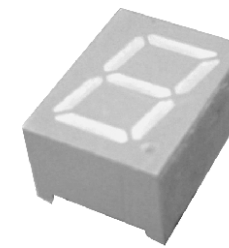
- (1)-GaAsP/GaAs 655nm/Red
- (2)-Gap 568nm/Yellow Green
- (3)-GaAsP/GaP 585nm/Yellow
- (4)-GaAsP/GaP 635nm/Orange&Hi-Eff Red
- (5)-GaP 700/Bright Red
- (6)-GaAlAs/GaAs 660nm/Super Red
- (8)-GaAsP/GaP 610nm/Super Red
- (9)-GaAlAs 880nm
- (10)-GaAs/GaAs&GaAlAs/GaAs 940nm
- (A)-GaN/SiC 430nm/Blue
- (B)-InGaN/SiC 470nm/Blue
- (C)-InGaN/SiC 502nm/Ultra Green
- (D)-InGaAl/SiC 523nm/Ultra Green



SINGLE DIGIT LED DISPLAYS

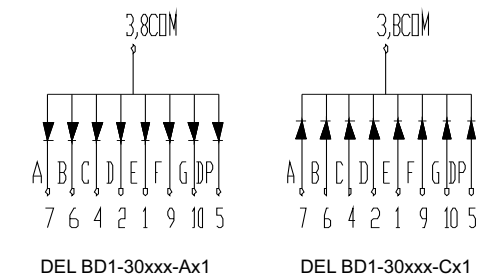
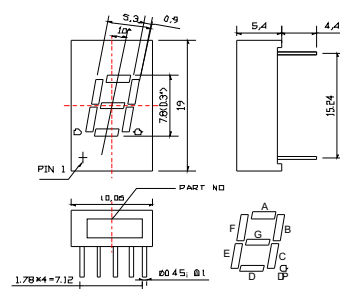
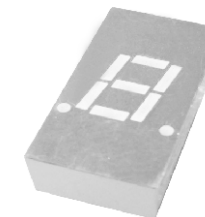
Digit Size	Part No.		Chip		Electro-optical Data (At 10mA)	
	Common Anode	Common Cathode	Material/Emitted Color	Wave Length λd(nm)	VF (V) Typ.	Iv.Typ. Per. Seg. (mcd)
0.28"	DEL BD1-281UB-A11	DEL BD1-281UB-C11	InGaN/SiC Blue Chip	465	3.2	12
	DEL BD1-281PG-A11	DEL BD1-281PG-C11	InGaN/SiC Pure Green Chip	525	3.2	18
	DEL BD1-281GU-A11	DEL BD1-281GU-C11	Gap/Gap Yellow Green Chip	570	2.15	2.5
	DEL BD1-281UG-A11	DEL BD1-281UG-C11	AllnGaP/GaAs Yellow Green Chip	570	2.1	4.5
	DEL BD1-281HY-A11	DEL BD1-281HY-C11	GaAsP/GaP Yellow Chip	590	2.1	1.5
	DEL BD1-281UY-A11	DEL BD1-281UY-C11	AlGaInP/GaAs Yellow Chip	590	2.05	15
	DEL BD1-281YO-A11	DEL BD1-281YO-C11	AlGaInP/GaAs Orange Chip	605	2.05	15
	DEL BD1-281HO-A11	DEL BD1-281HO-C11	GaAsP/GaP Orange Chip	625	2	1.5
	DEL BD1-281UR-A11	DEL BD1-281UR-C11	AlGaInP/GaAs Red Chip	630	1.95	10
	DEL BD1-281SR-A11	DEL BD1-281SR-C11	AlGaAs/GaAs Red Chip	643	1.85	4.5

SD-01 DEL BD1-28xxx-xx1



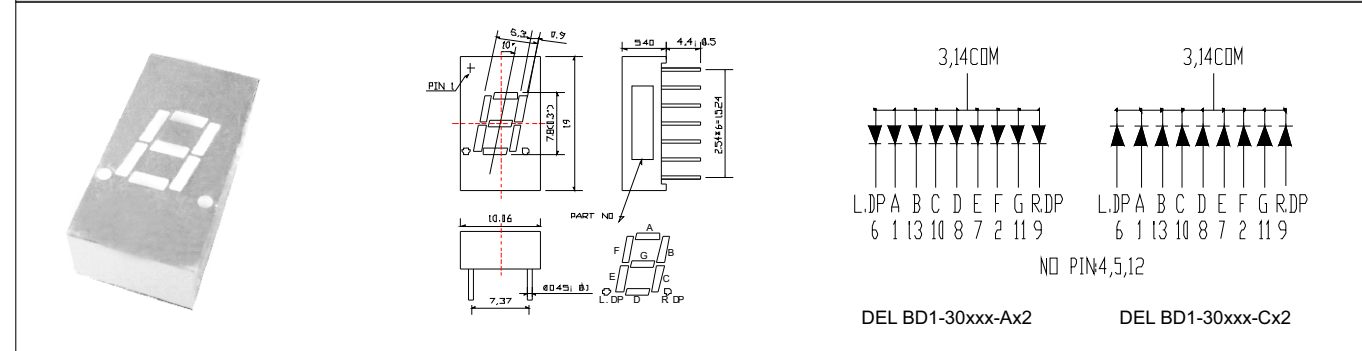
DEL BD1-301UB-A11	DEL BD1-301UB-C11	InGaN/SiC Blue Chip	465	3.2	12
DEL BD1-301PG-A11	DEL BD1-301PG-C11	InGaN/SiC Pure Green Chip	525	3.2	18
DEL BD1-301GU-A11	DEL BD1-301GU-C11	Gap/Gap Yellow Green Chip	570	2.15	2.5
DEL BD1-301UG-A11	DEL BD1-301UG-C11	AllnGaP/GaAs Yellow Green Chip	570	2.1	4.5
DEL BD1-301HY-A11	DEL BD1-301HY-C11	GaAsP/GaP Yellow Chip	590	2.1	1.5
DEL BD1-301UY-A11	DEL BD1-301UY-C11	AlGaInP/GaAs Yellow Chip	590	2.05	15
DEL BD1-301YO-A11	DEL BD1-301YO-C11	AlGaInP/GaAs Orange Chip	605	2.05	15
DEL BD1-301HO-A11	DEL BD1-301HO-C11	GaAsP/GaP Orange Chip	625	2	1.5
DEL BD1-301UR-A11	DEL BD1-301UR-C11	AlGaInP/GaAs Red Chip	630	1.95	10
DEL BD1-301SR-A11	DEL BD1-301SR-C11	AlGaAs/GaAs Red Chip	643	1.85	4.5

SD-02 DEL BD1-30xxx-xx1



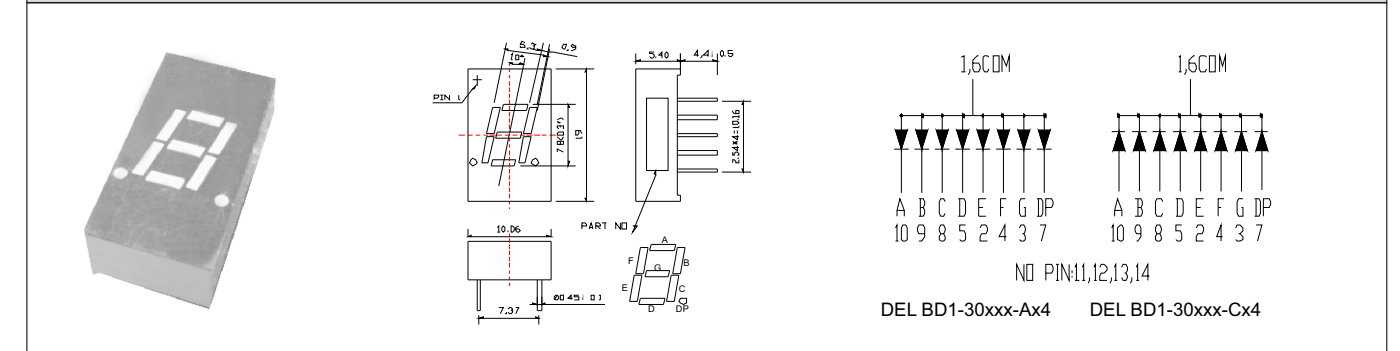
Digit Size	Part No.		Chip	Wave Length λ_d (nm)	Electro-optical Data (At 10mA)	
	Common Anode	Common Cathode			VF (V) Typ.	Iv.Typ. Per. Seg. (mcd)
0.3"	DEL BD1-301UB-A12	DEL BD1-301UB-C12	InGaN/SiC Blue Chip	465	3.2	12
	DEL BD1-301PG-A12	DEL BD1-301PG-C12	InGaN/SiC Pure Green Chip	525	3.2	18
	DEL BD1-301GU-A12	DEL BD1-301GU-C12	Gap/Gap Yellow Green Chip	570	2.15	2.5
	DEL BD1-301UG-A12	DEL BD1-301UG-C12	AllnGaP/GaAs Yellow Green Chip	570	2.1	4.5
	DEL BD1-301HY-A12	DEL BD1-301HY-C12	GaAsP/GaP Yellow Chip	590	2.1	1.5
	DEL BD1-301UY-A12	DEL BD1-301UY-C12	AlGainP/GaAs Yellow Chip	590	2.05	15
	DEL BD1-301YO-A12	DEL BD1-301YO-C12	AlGainP/GaAs Orange Chip	605	2.05	15
	DEL BD1-301HO-A12	DEL BD1-301HO-C12	GaAsP/GaP Orange Chip	625	2	1.5
	DEL BD1-301UR-A12	DEL BD1-301UR-C12	AlGainP/GaAs Red Chip	630	1.95	10
	DEL BD1-301SR-A12	DEL BD1-301SR-C12	AlGaAs/GaAs Red Chip	643	1.85	4.5

SD-03 DEL BD1-30xxx-xx2



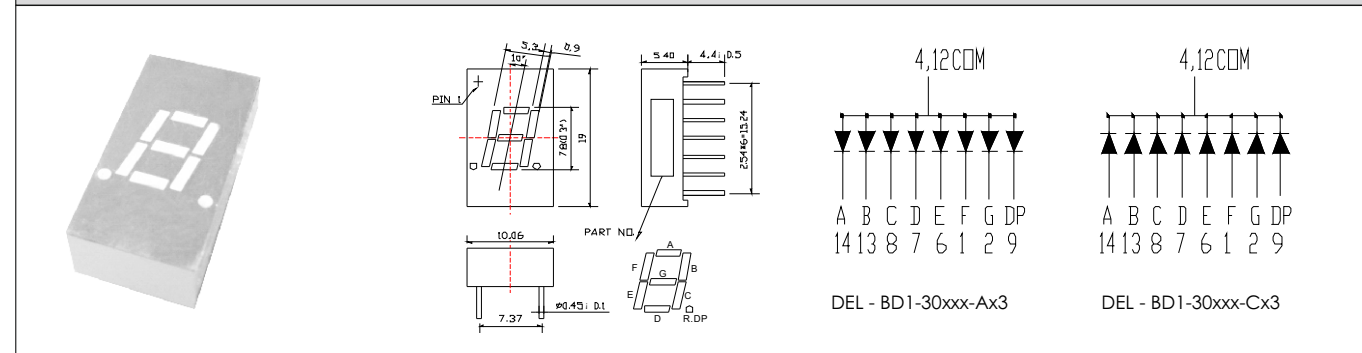
Digit Size	Part No.		Chip	Wave Length λ_d (nm)	Electro-optical Data (At 10mA)	
	Common Anode	Common Cathode			VF (V) Typ.	Iv.Typ. Per. Seg. (mcd)
0.3"	DEL BD1-301UB-A14	DEL BD1-301UB-C14	InGaN/SiC Blue Chip	465	3.2	12
	DEL BD1-301PG-A14	DEL BD1-301PG-C14	InGaN/SiC Pure Green Chip	525	3.2	18
	DEL BD1-301GU-A14	DEL BD1-301GU-C14	Gap/Gap Yellow Green Chip	570	2.15	2.5
	DEL BD1-301UG-A14	DEL BD1-301UG-C14	AllnGaP/GaAs Yellow Green Chip	570	2.1	4.5
	DEL BD1-301HY-A14	DEL BD1-301HY-C14	GaAsP/GaP Yellow Chip	590	2.1	1.5
	DEL BD1-301UY-A14	DEL BD1-301UY-C14	AlGainP/GaAs Yellow Chip	590	2.05	15
	DEL BD1-301YO-A14	DEL BD1-301YO-C14	AlGainP/GaAs Orange Chip	605	2.05	15
	DEL BD1-301HO-A14	DEL BD1-301HO-C14	GaAsP/GaP Orange Chip	625	2	1.5
	DEL BD1-301UR-A14	DEL BD1-301UR-C14	AlGainP/GaAs Red Chip	630	1.95	10
	DEL BD1-301SR-A14	DEL BD1-301SR-C14	AlGaAs/GaAs Red Chip	643	1.85	4.5

SD-05 DEL BD1-30xxx-xx4



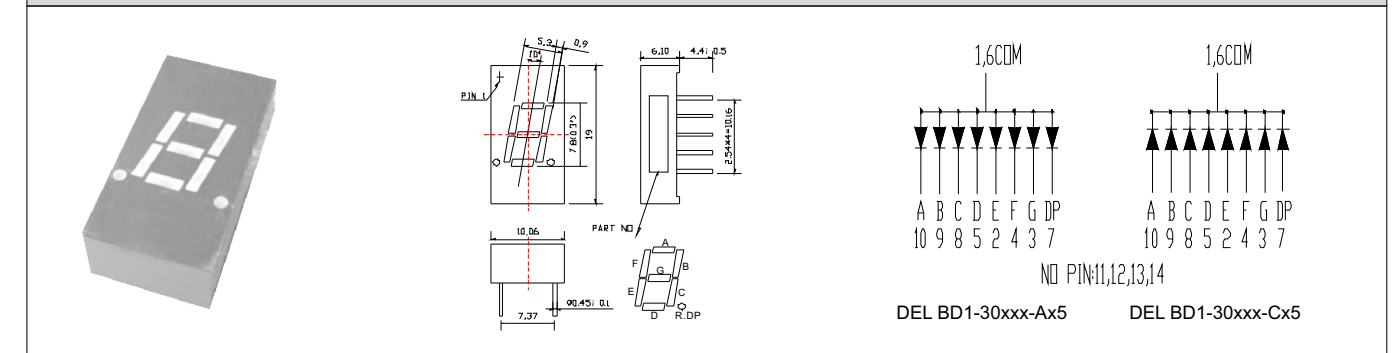
Digit Size	Part No.		Chip	Wave Length λ_d (nm)	Electro-optical Data (At 10mA)	
	Common Anode	Common Cathode			VF (V) Typ.	Iv.Typ. Per. Seg. (mcd)
0.3"	DEL BD1-301UB-A13	DEL BD1-301UB-C13	InGaN/SiC Blue Chip	465	3.2	12
	DEL BD1-301PG-A13	DEL BD1-301PG-C13	InGaN/SiC Pure Green Chip	525	3.2	18
	DEL BD1-301GU-A13	DEL BD1-301GU-C13	Gap/Gap Yellow Green Chip	570	2.15	2.5
	DEL BD1-301UG-A13	DEL BD1-301UG-C13	AllnGaP/GaAs Yellow Green Chip	570	2.1	4.5
	DEL BD1-301HY-A13	DEL BD1-301HY-C13	GaAsP/GaP Yellow Chip	590	2.1	1.5
	DEL BD1-301UY-A13	DEL BD1-301UY-C13	AlGainP/GaAs Yellow Chip	590	2.05	15
	DEL BD1-301YO-A13	DEL BD1-301YO-C13	AlGainP/GaAs Orange Chip	605	2.05	15
	DEL BD1-301HO-A13	DEL BD1-301HO-C13	GaAsP/GaP Orange Chip	625	2	1.5
	DEL BD1-301UR-A13	DEL BD1-301UR-C13	AlGainP/GaAs Red Chip	630	1.95	10
	DEL BD1-301SR-A13	DEL BD1-301SR-C13	AlGaAs/GaAs Red Chip	643	1.85	4.5

SD-04 DEL BD1-30xxx-xx3



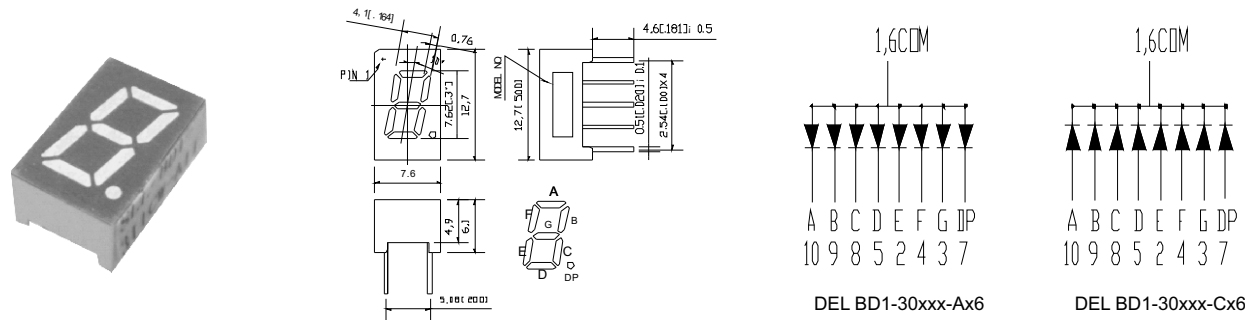
Digit Size	Part No.		Chip	Wave Length λ_d (nm)	Electro-optical Data (At 10mA)	
	Common Anode	Common Cathode			VF (V) Typ.	Iv.Typ. Per. Seg. (mcd)
0.3"	DEL BD1-301UB-A15	DEL BD1-301UB-C15	InGaN/SiC Blue Chip	465	3.2	12
	DEL BD1-301PG-A15	DEL BD1-301PG-C15	InGaN/SiC Pure Green Chip	525	3.2	18
	DEL BD1-301GU-A15	DEL BD1-301GU-C15	Gap/Gap Yellow Green Chip	570	2.15	2.5
	DEL BD1-301UG-A15	DEL BD1-301UG-C15	AllnGaP/GaAs Yellow Green Chip	570	2.1	4.5
	DEL BD1-301HY-A15	DEL BD1-301HY-C15	GaAsP/GaP Yellow Chip	590	2.1	1.5
	DEL BD1-301UY-A15	DEL BD1-301UY-C15	AlGainP/GaAs Yellow Chip	590	2.05	15
	DEL BD1-301YO-A15	DEL BD1-301YO-C15	AlGainP/GaAs Orange Chip	605	2.05	15
	DEL BD1-301HO-A15	DEL BD1-301HO-C15	GaAsP/GaP Orange Chip	625	2	1.5
	DEL BD1-301UR-A15	DEL BD1-301UR-C15	AlGainP/GaAs Red Chip	630	1.95	10
	DEL BD1-301SR-A15	DEL BD1-301SR-C15	AlGaAs/GaAs Red Chip	643	1.85	4.5

SD-06 DEL BD1-30xxx-xx5



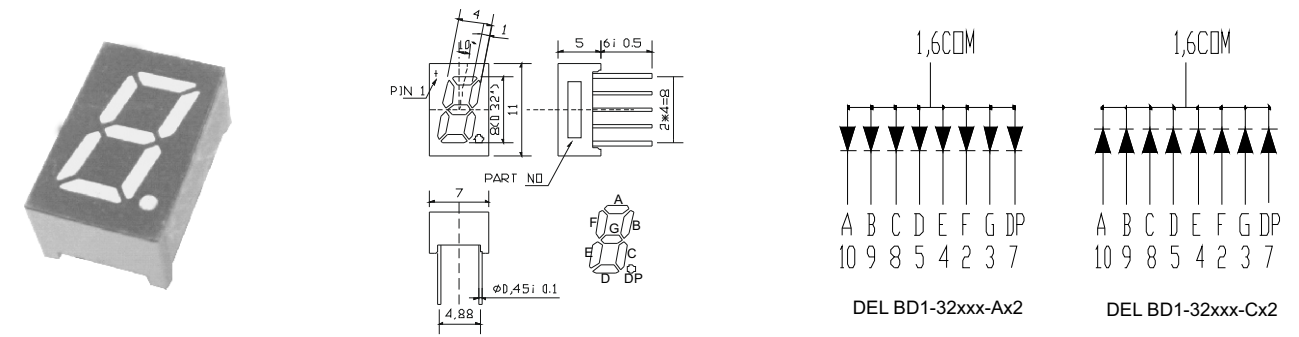
Digit Size	Part No.		Chip		Electro-optical Data (At 10mA)	
	Common Anode	Common Cathode	Material/Emitted Color	Wave Length λ (nm)	Vf (V) Typ.	Iv.Typ. Per. Seg. (mcd)
0.3"	DEL BD1-301UB-A16	DEL BD1-301UB-C16	InGaN/SiC Blue Chip	465	3.2	12
	DEL BD1-301PG-A16	DEL BD1-301PG-C16	InGaN/SiC Pure Green Chip	525	3.2	18
	DEL BD1-301GU-A16	DEL BD1-301GU-C16	Gap/Gap Yellow Green Chip	570	2.15	2.5
	DEL BD1-301UG-A16	DEL BD1-301UG-C16	AllnGaP/GaAs Yellow Green Chip	570	2.1	4.5
	DEL BD1-301HY-A16	DEL BD1-301HY-C16	GaAsP/GaP Yellow Chip	590	2.1	1.5
	DEL BD1-301UY-A16	DEL BD1-301UY-C16	AlGaInP/GaAs Yellow Chip	590	2.05	15
	DEL BD1-301YO-A16	DEL BD1-301YO-C16	AlGaInP/GaAs Orange Chip	605	2.05	15
	DEL BD1-301HO-A16	DEL BD1-301HO-C16	GaAsP/GaP Orange Chip	625	2	1.5
	DEL BD1-301UR-A16	DEL BD1-301UR-C16	AlGaInP/GaAs Red Chip	630	1.95	10
	DEL BD1-301SR-A16	DEL BD1-301SR-C16	AlGaAs/GaAs Red Chip	643	1.85	4.5

SD-07 DEL BD1-30xxx-xx6



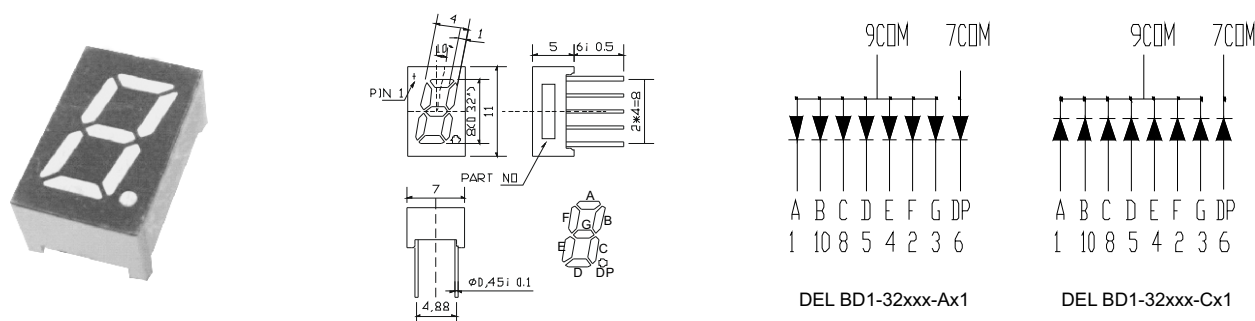
Digit Size	Part No.		Chip		Electro-optical Data (At 10mA)	
	Common Anode	Common Cathode	Material/Emitted Color	Wave Length λ (nm)	Vf (V) Typ.	Iv.Typ. Per. Seg. (mcd)
0.32"	DEL BD1-311UB-A12	DEL BD1-311UB-C12	InGaN/SiC Blue Chip	465	3.2	12
	DEL BD1-311PG-A12	DEL BD1-311PG-C12	InGaN/SiC Pure Green Chip	525	3.2	18
	DEL BD1-311GU-A12	DEL BD1-311GU-C12	Gap/Gap Yellow Green Chip	570	2.15	2.5
	DEL BD1-311UG-A12	DEL BD1-311UG-C12	AllnGaP/GaAs Yellow Green Chip	570	2.1	4.5
	DEL BD1-311HY-A12	DEL BD1-311HY-C12	GaAsP/GaP Yellow Chip	590	2.1	1.5
	DEL BD1-311UY-A12	DEL BD1-311UY-C12	AlGaInP/GaAs Yellow Chip	590	2.05	15
	DEL BD1-311YO-A12	DEL BD1-311YO-C12	AlGaInP/GaAs Orange Chip	605	2.05	15
	DEL BD1-311HO-A12	DEL BD1-311HO-C12	GaAsP/GaP Orange Chip	625	2	1.5
	DEL BD1-311UR-A12	DEL BD1-311UR-C12	AlGaInP/GaAs Red Chip	630	1.95	10
	DEL BD1-311SR-A12	DEL BD1-311SR-C12	AlGaAs/GaAs Red Chip	643	1.85	4.5

SD-09 DEL BD1-32xxx-xx2



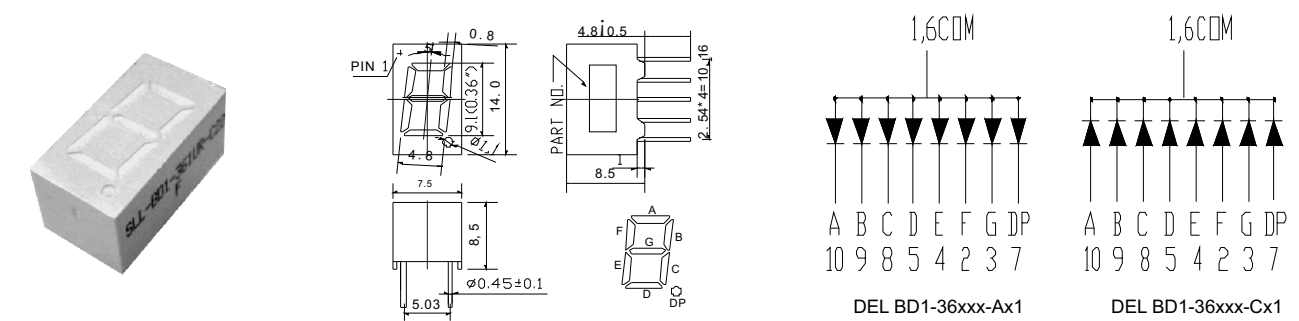
Digit Size	Part No.		Chip		Electro-optical Data (At 10mA)	
	Common Anode	Common Cathode	Material/Emitted Color	Wave Length λ (nm)	Vf (V) Typ.	Iv.Typ. Per. Seg. (mcd)
0.32"	DEL BD1-311UB-A11	DEL BD1-311UB-C11	InGaN/SiC Blue Chip	465	3.2	12
	DEL BD1-311PG-A11	DEL BD1-311PG-C11	InGaN/SiC Pure Green Chip	525	3.2	18
	DEL BD1-311GU-A11	DEL BD1-311GU-C11	Gap/Gap Yellow Green Chip	570	2.15	2.5
	DEL BD1-311UG-A11	DEL BD1-311UG-C11	AllnGaP/GaAs Yellow Green Chip	570	2.1	4.5
	DEL BD1-311HY-A11	DEL BD1-311HY-C11	GaAsP/GaP Yellow Chip	590	2.1	1.5
	DEL BD1-311UY-A11	DEL BD1-311UY-C11	AlGaInP/GaAs Yellow Chip	590	2.05	15
	DEL BD1-311YO-A11	DEL BD1-311YO-C11	AlGaInP/GaAs Orange Chip	605	2.05	15
	DEL BD1-311HO-A11	DEL BD1-311HO-C11	GaAsP/GaP Orange Chip	625	2	1.5
	DEL BD1-311UR-A11	DEL BD1-311UR-C11	AlGaInP/GaAs Red Chip	630	1.95	10
	DEL BD1-311SR-A11	DEL BD1-311SR-C11	AlGaAs/GaAs Red Chip	643	1.85	4.5

SD-08 DEL BD1-32xxx-xx1



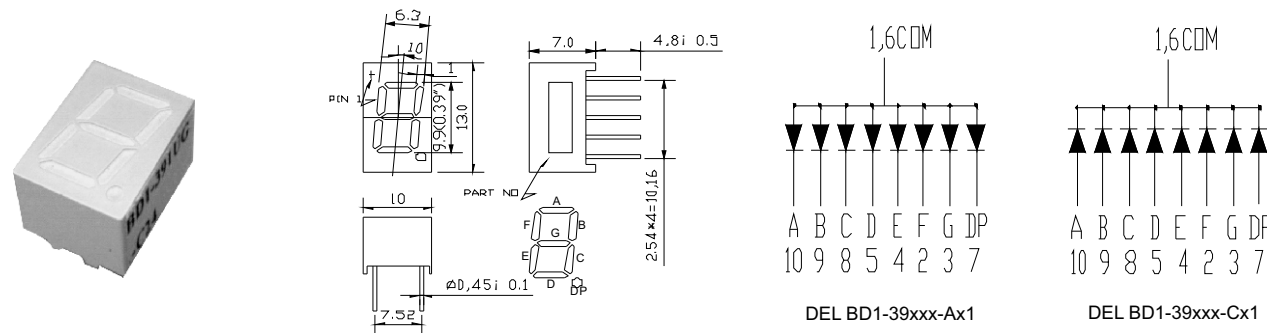
Digit Size	Part No.		Chip		Electro-optical Data (At 10mA)	
	Common Anode	Common Cathode	Material/Emitted Color	Wave Length λ (nm)	Vf (V) Typ.	Iv.Typ. Per. Seg. (mcd)
0.36"	DEL BD1-361UB-A11	DEL BD1-361UB-C11	InGaN/SiC Blue Chip	465	3.2	12
	DEL BD1-361PG-A11	DEL BD1-361PG-C11	InGaN/SiC Pure Green Chip	525	3.2	18
	DEL BD1-361GU-A11	DEL BD1-361GU-C11	Gap/Gap Yellow Green Chip	570	2.15	2.5
	DEL BD1-361UG-A11	DEL BD1-361UG-C11	AllnGaP/GaAs Yellow Green Chip	570	2.1	4.5
	DEL BD1-361HY-A11	DEL BD1-361HY-C11	GaAsP/GaP Yellow Chip	590	2.1	1.5
	DEL BD1-361UY-A11	DEL BD1-361UY-C11	AlGaInP/GaAs Yellow Chip	590	2.05	15
	DEL BD1-361YO-A11	DEL BD1-361YO-C11	AlGaInP/GaAs Orange Chip	605	2.05	15
	DEL BD1-361HO-A11	DEL BD1-361HO-C11	GaAsP/GaP Orange Chip	625	2	1.5
	DEL BD1-361UR-A11	DEL BD1-361UR-C11	AlGaInP/GaAs Red Chip	630	1.95	10
	DEL BD1-361SR-A11	DEL BD1-361SR-C11	AlGaAs/GaAs Red Chip	643	1.85	4.5

SD-10 DEL BD1-36xxx-xx1



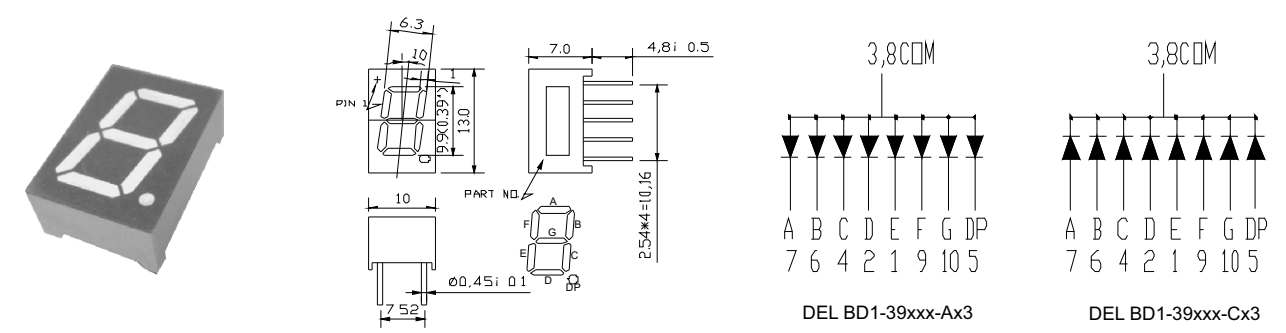
Digit Size	Part No.		Chip	Wave Length λ (nm)	Electro-optical Data (At 10mA)	
	Common Anode	Common Cathode			Material/Emitted Color	VF (V) Typ.
0.39"	DEL BD1-391UB-A11	DEL BD1-391UB-C11	InGaN/SiC Blue Chip	465	3.2	12
	DEL BD1-391PG-A11	DEL BD1-391PG-C11	InGaN/SiC Pure Green Chip	525	3.2	18
	DEL BD1-391GU-A11	DEL BD1-391GU-C11	Gap/Gap Yellow Green Chip	570	2.15	2.5
	DEL BD1-391UG-A11	DEL BD1-391UG-C11	AllnGaP/GaAs Yellow Green Chip	570	2.1	4.5
	DEL BD1-391HY-A11	DEL BD1-391HY-C11	GaAsP/GaP Yellow Chip	590	2.1	1.5
	DEL BD1-391UY-A11	DEL BD1-391UY-C11	AlGaInP/GaAs Yellow Chip	590	2.05	15
	DEL BD1-391YO-A11	DEL BD1-391YO-C11	AlGaInP/GaAs Orange Chip	605	2.05	15
	DEL BD1-391HO-A11	DEL BD1-391HO-C11	GaAsP/GaP Orange Chip	625	2	1.5
	DEL BD1-391UR-A11	DEL BD1-391UR-C11	AlGaInP/GaAs Red Chip	630	1.95	10
	DEL BD1-391SR-A11	DEL BD1-391SR-C11	AlGaAs/GaAs Red Chip	643	1.85	4.5

SD-11 DEL BD1-39xxx-xx1



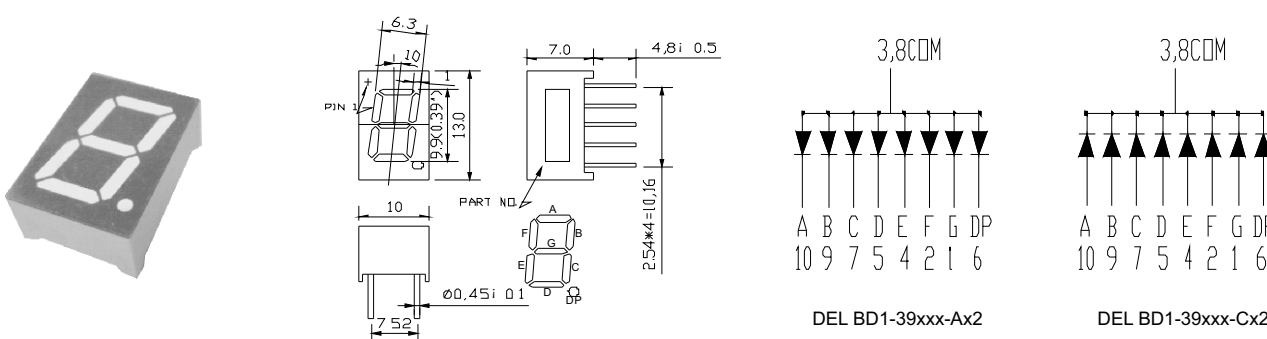
Digit Size	Part No.		Chip	Wave Length λ (nm)	Electro-optical Data (At 10mA)	
	Common Anode	Common Cathode			Material/Emitted Color	VF (V) Typ.
0.39"	DEL BD1-391UB-A13	DEL BD1-391UB-C13	InGaN/SiC Blue Chip	465	3.2	12
	DEL BD1-391PG-A13	DEL BD1-391PG-C13	InGaN/SiC Pure Green Chip	525	3.2	18
	DEL BD1-391GU-A13	DEL BD1-391GU-C13	Gap/Gap Yellow Green Chip	570	2.15	2.5
	DEL BD1-391UG-A13	DEL BD1-391UG-C13	AllnGaP/GaAs Yellow Green Chip	570	2.1	4.5
	DEL BD1-391HY-A13	DEL BD1-391HY-C13	GaAsP/GaP Yellow Chip	590	2.1	1.5
	DEL BD1-391UY-A13	DEL BD1-391UY-C13	AlGaInP/GaAs Yellow Chip	590	2.05	15
	DEL BD1-391YO-A13	DEL BD1-391YO-C13	AlGaInP/GaAs Orange Chip	605	2.05	15
	DEL BD1-391HO-A13	DEL BD1-391HO-C13	GaAsP/GaP Orange Chip	625	2	1.5
	DEL BD1-391UR-A13	DEL BD1-391UR-C13	AlGaInP/GaAs Red Chip	630	1.95	10
	DEL BD1-391SR-A13	DEL BD1-391SR-C13	AlGaAs/GaAs Red Chip	643	1.85	4.5

SD-13 DEL BD1-39xxx-xx3



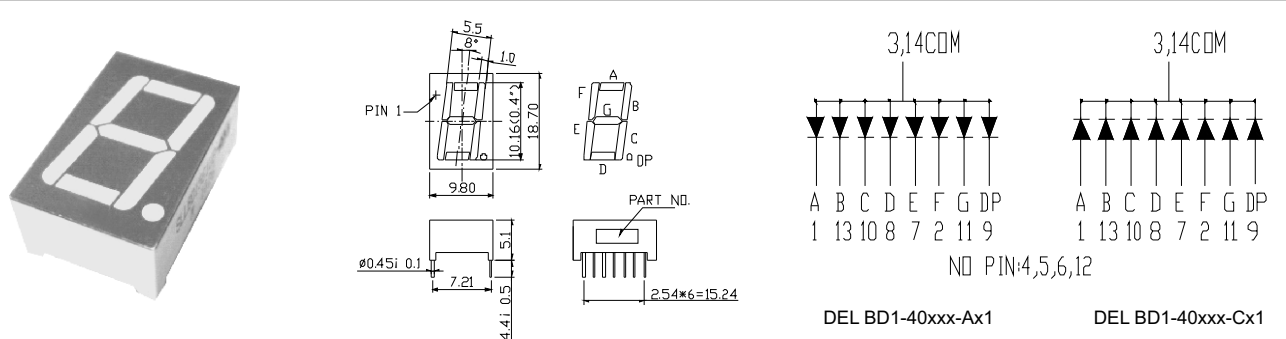
Digit Size	Part No.		Chip	Wave Length λ (nm)	Electro-optical Data (At 10mA)	
	Common Anode	Common Cathode			Material/Emitted Color	VF (V) Typ.
0.39"	DEL BD1-391UB-A12	DEL BD1-391UB-C12	InGaN/SiC Blue Chip	465	3.2	12
	DEL BD1-391PG-A12	DEL BD1-391PG-C12	InGaN/SiC Pure Green Chip	525	3.2	18
	DEL BD1-391GU-A12	DEL BD1-391GU-C12	Gap/Gap Yellow Green Chip	570	2.15	2.5
	DEL BD1-391UG-A12	DEL BD1-391UG-C12	AllnGaP/GaAs Yellow Green Chip	570	2.1	4.5
	DEL BD1-391HY-A12	DEL BD1-391HY-C12	GaAsP/GaP Yellow Chip	590	2.1	1.5
	DEL BD1-391UY-A12	DEL BD1-391UY-C12	AlGaInP/GaAs Yellow Chip	590	2.05	15
	DEL BD1-391YO-A12	DEL BD1-391YO-C12	AlGaInP/GaAs Orange Chip	605	2.05	15
	DEL BD1-391HO-A12	DEL BD1-391HO-C12	GaAsP/GaP Orange Chip	625	2	1.5
	DEL BD1-391UR-A12	DEL BD1-391UR-C12	AlGaInP/GaAs Red Chip	630	1.95	10
	DEL BD1-391SR-A12	DEL BD1-391SR-C12	AlGaAs/GaAs Red Chip	643	1.85	4.5

SD-12 DEL BD1-39xxx-xx2



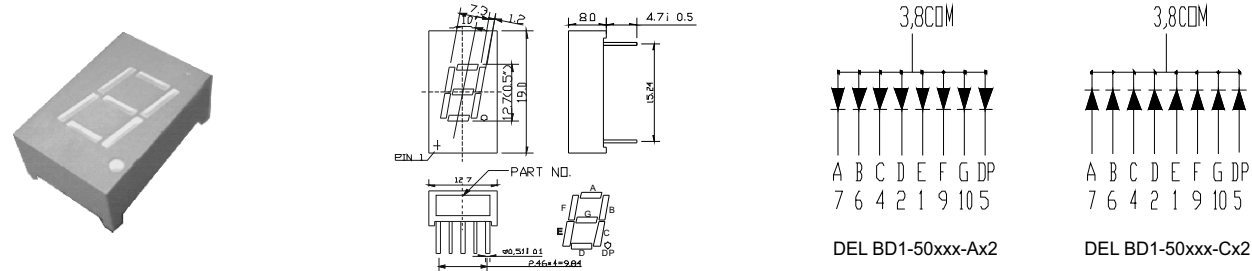
Digit Size	Part No.		Chip	Wave Length λ (nm)	Electro-optical Data (At 10mA)	
	Common Anode	Common Cathode			Material/Emitted Color	VF (V) Typ.
0.4"	DEL BD1-401UB-A11	DEL BD1-401UB-C11	InGaN/SiC Blue Chip	465	3.2	12
	DEL BD1-401PG-A11	DEL BD1-401PG-C11	InGaN/SiC Pure Green Chip	525	3.2	18
	DEL BD1-401GU-A11	DEL BD1-401GU-C11	Gap/Gap Yellow Green Chip	570	2.15	2.5
	DEL BD1-401UG-A11	DEL BD1-401UG-C11	AllnGaP/GaAs Yellow Green Chip	570	2.1	4.5
	DEL BD1-401HY-A11	DEL BD1-401HY-C11	GaAsP/GaP Yellow Chip	590	2.1	1.5
	DEL BD1-401UY-A11	DEL BD1-401UY-C11	AlGaInP/GaAs Yellow Chip	590	2.05	15
	DEL BD1-401YO-A11	DEL BD1-401YO-C11	AlGaInP/GaAs Orange Chip	605	2.05	15
	DEL BD1-401HO-A11	DEL BD1-401HO-C11	GaAsP/GaP Orange Chip	625	2	1.5
	DEL BD1-401UR-A11	DEL BD1-401UR-C11	AlGaInP/GaAs Red Chip	630	1.95	10
	DEL BD1-401SR-A11	DEL BD1-401SR-C11	AlGaAs/GaAs Red Chip	643	1.85	4.5

SD-14 DEL BD1-40xxx-xx1



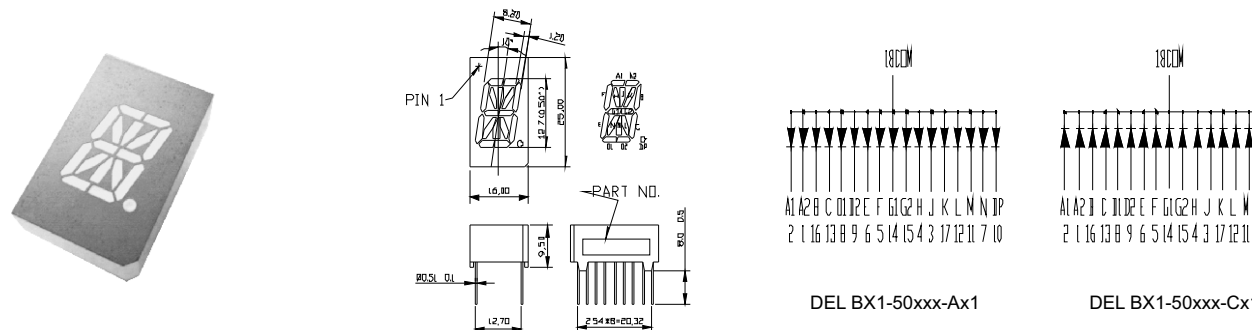
Digit Size	Part No.		Chip		Electro-optical Data (At 10mA)	
	Common Anode	Common Cathode	Material/Emitted Color	Wave Length λ (nm)	V _F (V) Typ.	I _v .Typ. Per. Seg. (mcd)
0.5"	DEL BD1-501UB-A12	DEL BD1-501UB-C12	InGaN/SiC Blue Chip	465	3.2	12
	DEL BD1-501PG-A12	DEL BD1-501PG-C12	InGaN/SiC Pure Green Chip	525	3.2	18
	DEL BD1-501GU-A12	DEL BD1-501GU-C12	Gap/Gap Yellow Green Chip	570	2.15	2.5
	DEL BD1-501UG-A12	DEL BD1-501UG-C12	AllnGaP/GaAs Yellow Green Chip	570	2.1	4.5
	DEL BD1-501HY-A12	DEL BD1-501HY-C12	GaAsP/GaP Yellow Chip	590	2.1	1.5
	DEL BD1-501UY-A12	DEL BD1-501UY-C12	AlGaInP/GaAs Yellow Chip	590	2.05	15
	DEL BD1-501YO-A12	DEL BD1-501YO-C12	AlGaInP/GaAs Orange Chip	605	2.05	15
	DEL BD1-501HO-A12	DEL BD1-501HO-C12	GaAsP/GaP Orange Chip	625	2	1.5
	DEL BD1-501UR-A12	DEL BD1-501UR-C12	AlGaInP/GaAs Red Chip	630	1.95	10
	DEL BD1-501SR-A12	DEL BD1-501SR-C12	AlGaAs/GaAs Red Chip	643	1.85	4.5

SD-19 DEL BD1-50xxx-xx2



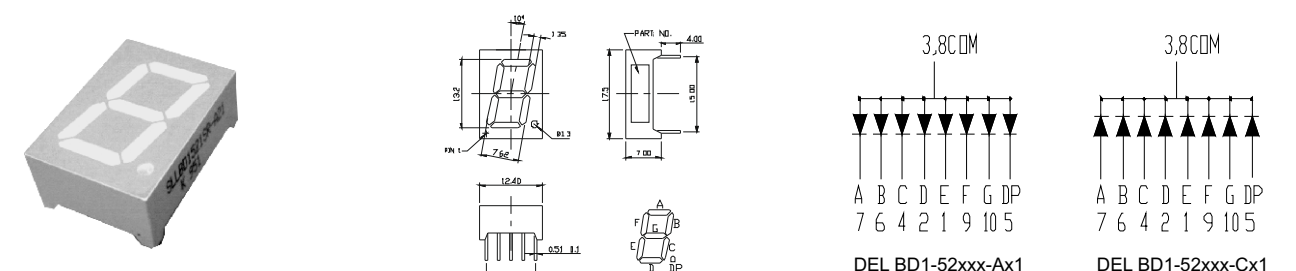
Digit Size	Part No.		Chip		Electro-optical Data (At 10mA)	
	Common Anode	Common Cathode	Material/Emitted Color	Wave Length λ (nm)	V _F (V) Typ.	I _v .Typ. Per. Seg. (mcd)
0.5"	DEL BX1-501UB-A11	DEL BX1-501UB-C11	InGaN/SiC Blue Chip	465	3.2	12
	DEL BX1-501PG-A11	DEL BX1-501PG-C11	InGaN/SiC Pure Green Chip	525	3.2	18
	DEL BX1-501GU-A11	DEL BX1-501GU-C11	Gap/Gap Yellow Green Chip	570	2.15	2.5
	DEL BX1-501UG-A11	DEL BX1-501UG-C11	AllnGaP/GaAs Yellow Green Chip	570	2.1	4.5
	DEL BX1-501HY-A11	DEL BX1-501HY-C11	GaAsP/GaP Yellow Chip	590	2.1	1.5
	DEL BX1-501UY-A11	DEL BX1-501UY-C11	AlGaInP/GaAs Yellow Chip	590	2.05	15
	DEL BX1-501YO-A11	DEL BX1-501YO-C11	AlGaInP/GaAs Orange Chip	605	2.05	15
	DEL BX1-501HO-A11	DEL BX1-501HO-C11	GaAsP/GaP Orange Chip	625	2	1.5
	DEL BX1-501UR-A11	DEL BX1-501UR-C11	AlGaInP/GaAs Red Chip	630	1.95	10
	DEL BX1-501SR-A11	DEL BX1-501SR-C11	AlGaAs/GaAs Red Chip	643	1.85	4.5

SD-20 DEL BX1-50xxx-xx1



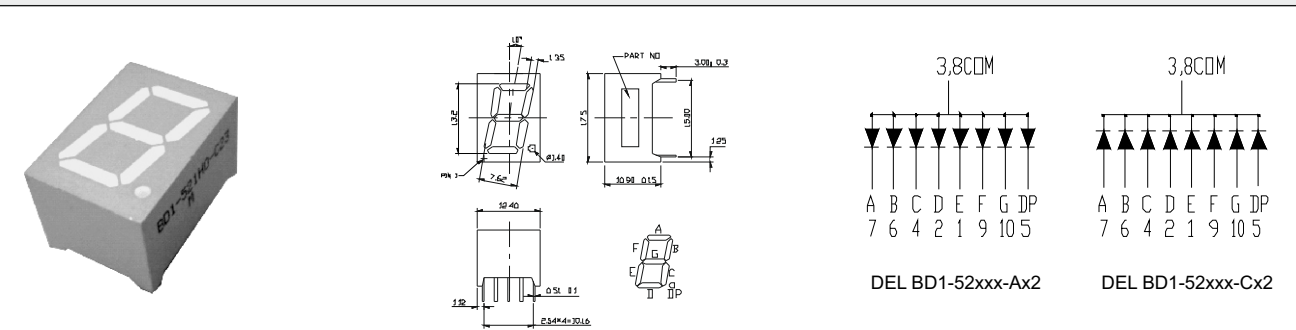
Digit Size	Part No.		Chip		Electro-optical Data (At 10mA)	
	Common Anode	Common Cathode	Material/Emitted Color	Wave Length λ (nm)	V _F (V) Typ.	I _v .Typ. Per. Seg. (mcd)
0.52"	DEL BD1-521UB-A11	DEL BD1-521UB-C11	InGaN/SiC Blue Chip	465	3.2	15
	DEL BD1-521TB-A11	DEL BD1-521TB-C11	InGaN/Al2O3 Blue Chip	465	3.2	18
	DEL BD1-521PG-A11	DEL BD1-521PG-C11	InGaN/SiC Pure Green Chip	525	3.2	22
	DEL BD1-521GU-A11	DEL BD1-521GU-C11	Gap/Gap Yellow Green Chip	570	2.15	5.0
	DEL BD1-521UG-A11	DEL BD1-521UG-C11	AllnGaP/GaAs Yellow Green Chip	570	2.1	12
	DEL BD1-521HY-A11	DEL BD1-521HY-C11	GaAsP/GaP Yellow Chip	590	2.1	3.0
	DEL BD1-521UY-A11	DEL BD1-521UY-C11	AlGaInP/GaAs Yellow Chip	590	2.05	20
	DEL BD1-521YO-A11	DEL BD1-521YO-C11	AlGaInP/GaAs Orange Chip	605	2.05	20
	DEL BD1-521HO-A11	DEL BD1-521HO-C11	GaAsP/GaP Orange Chip	625	2	3
	DEL BD1-521UR-A11	DEL BD1-521UR-C11	AlGaInP/GaAs Red Chip	630	1.95	15
	DEL BD1-521SR-A11	DEL BD1-521SR-C11	AlGaAs/GaAs Red Chip	643	1.85	6

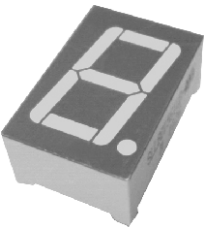
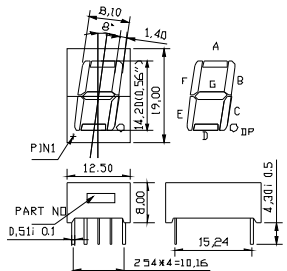
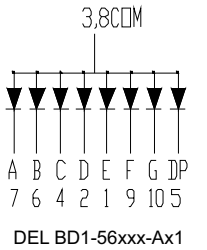
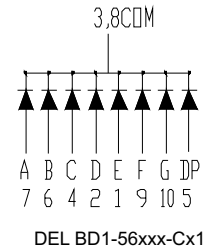
SD-21 DEL BD1-52xxx-xx1

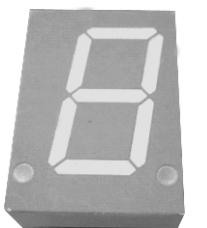
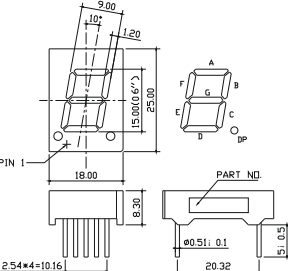
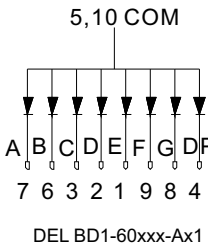
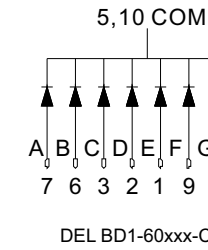


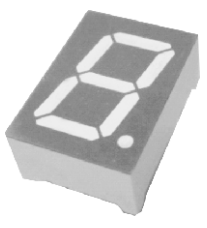
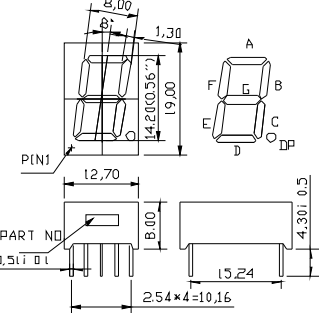
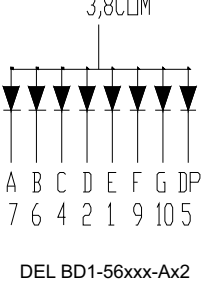
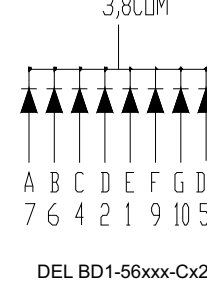
Digit Size	Part No.		Chip		Electro-optical Data (At 10mA)	
	Common Anode	Common Cathode	Material/Emitted Color	Wave Length λ (nm)	V _F (V) Typ.	I _v .Typ. Per. Seg. (mcd)
0.52"	DEL BD1-521UB-A12	DEL BD1-521UB-C12	InGaN/SiC Blue Chip	465	3.2	15
	DEL BD1-521TB-A12	DEL BD1-521TB-C12	InGaN/Al2O3 Blue Chip	465	3.2	18
	DEL BD1-521PG-A12	DEL BD1-521PG-C12	InGaN/SiC Pure Green Chip	525	3.2	22
	DEL BD1-521GU-A12	DEL BD1-521GU-C12	Gap/Gap Yellow Green Chip	570	2.15	5.0
	DEL BD1-521UG-A12	DEL BD1-521UG-C12	AllnGaP/GaAs Yellow Green Chip	570	2.1	12
	DEL BD1-521HY-A12	DEL BD1-521HY-C12	GaAsP/GaP Yellow Chip	590	2.1	3.0
	DEL BD1-521UY-A12	DEL BD1-521UY-C12	AlGaInP/GaAs Yellow Chip	590	2.05	20
	DEL BD1-521YO-A12	DEL BD1-521YO-C12	AlGaInP/GaAs Orange Chip	605	2.05	20
	DEL BD1-521HO-A12	DEL BD1-521HO-C12	GaAsP/GaP Orange Chip	625	2	3
	DEL BD1-521UR-A12	DEL BD1-521UR-C12	AlGaInP/GaAs Red Chip	630	1.95	15
	DEL BD1-521SR-A12	DEL BD1-521SR-C12	AlGaAs/GaAs Red Chip	643	1.85	6


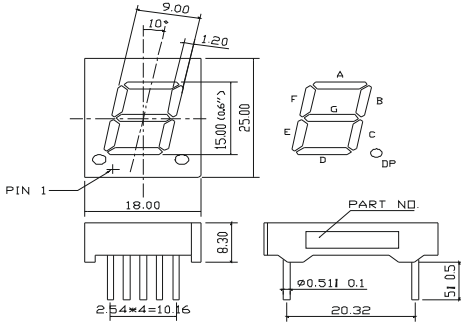
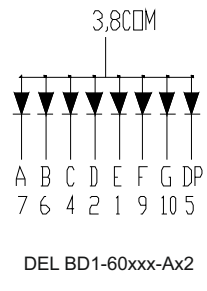
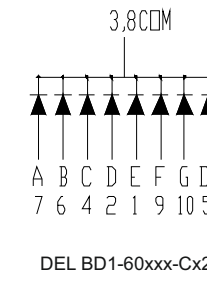
SD-22 DEL BD1-52xxx-xx2



Digit Size	Part No.		Chip		Electro-optical Data (At 10mA)	
	Common Anode	Common Cathode	Material/Emitted Color	Wave Length λ_d (nm)	Vf (V) Typ.	Iv.Typ. Per. Seg. (mcd)
0.56"	DEL BD1-561UB-A11	DEL BD1-561UB-C11	InGaN/SiC Blue Chip	465	3.2	15
	DEL BD1-561TB-A11	DEL BD1-561TB-C11	InGaN/Al2O3 Blue Chip	465	3.2	18
	DEL BD1-561PG-A11	DEL BD1-561PG-C11	InGaN/SiC Pure Green Chip	525	3.2	22
	DEL BD1-561GU-A11	DEL BD1-561GU-C11	Gap/Gap Yellow Green Chip	570	2.15	5.0
	DEL BD1-561UG-A11	DEL BD1-561UG-C11	AllnGaP/GaAs Yellow Green Chip	570	2.1	12
	DEL BD1-561HY-A11	DEL BD1-561HY-C11	GaAsP/GaP Yellow Chip	590	2.1	3.0
	DEL BD1-561UY-A11	DEL BD1-561UY-C11	AlGaInP/GaAs Yellow Chip	590	2.05	20
	DEL BD1-561YO-A11	DEL BD1-561YO-C11	AlGaInP/GaAs Orange Chip	605	2.05	20
	DEL BD1-561HO-A11	DEL BD1-561HO-C11	GaAsP/GaP Orange Chip	625	2	3
	DEL BD1-561UR-A11	DEL BD1-561UR-C11	AlGaInP/GaAs Red Chip	630	1.95	15
	DEL BD1-561SR-A11	DEL BD1-561SR-C11	AlGaAs/GaAs Red Chip	643	1.85	6
	SD-23 DEL BD1-56xxx-xx1					
   						

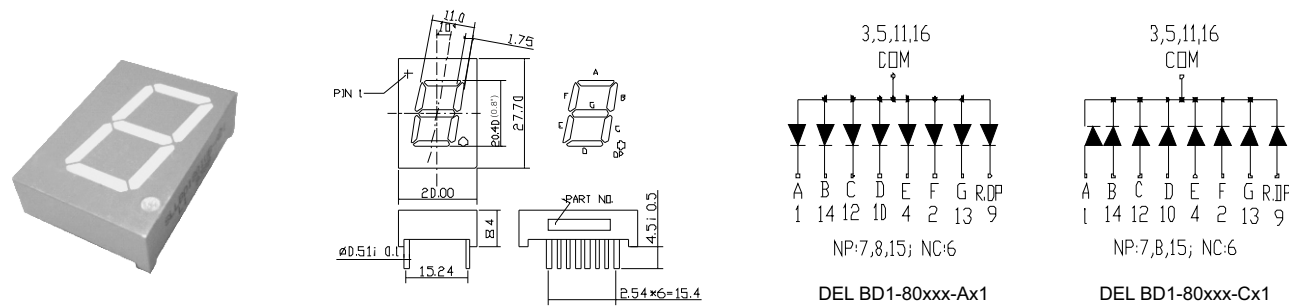
Digit Size	Part No.		Chip		Electro-optical Data (At 10mA)	
	Common Anode	Common Cathode	Material/Emitted Color	Wave Length λ_d (nm)	Vf (V) Typ.	Iv.Typ. Per. Seg. (mcd)
0.6"	DEL BD1-601UB-A11	DEL BD1-601UB-C11	InGaN/SiC Blue Chip	465	3.2	15
	DEL BD1-601TB-A11	DEL BD1-601TB-C11	InGaN/Al2O3 Blue Chip	465	3.2	18
	DEL BD1-601PG-A11	DEL BD1-601PG-C11	InGaN/SiC Pure Green Chip	525	3.2	22
	DEL BD1-601GU-A11	DEL BD1-601GU-C11	Gap/Gap Yellow Green Chip	570	2.15	5.0
	DEL BD1-601UG-A11	DEL BD1-601UG-C11	AllnGaP/GaAs Yellow Green Chip	570	2.1	12
	DEL BD1-601HY-A11	DEL BD1-601HY-C11	GaAsP/GaP Yellow Chip	590	2.1	3.0
	DEL BD1-601UY-A11	DEL BD1-601UY-C11	AlGaInP/GaAs Yellow Chip	590	2.05	20
	DEL BD1-601YO-A11	DEL BD1-601YO-C11	AlGaInP/GaAs Orange Chip	605	2.05	20
	DEL BD1-601HO-A11	DEL BD1-601HO-C11	GaAsP/GaP Orange Chip	625	2	3
	DEL BD1-601UR-A11	DEL BD1-601UR-C11	AlGaInP/GaAs Red Chip	630	1.95	15
	DEL BD1-601SR-A11	DEL BD1-601SR-C11	AlGaAs/GaAs Red Chip	643	1.85	6
	SD-25 DEL BD1-60xxx-xx1					
   						

0.56"	DEL BD1-561UB-A12	DEL BD1-561UB-C12	InGaN/SiC Blue Chip	465	3.2	15
	DEL BD1-561TB-A12	DEL BD1-561TB-C12	InGaN/Al2O3 Blue Chip	465	3.2	18
	DEL BD1-561PG-A12	DEL BD1-561PG-C12	InGaN/SiC Pure Green Chip	525	3.2	22
	DEL BD1-561GU-A12	DEL BD1-561GU-C12	Gap/Gap Yellow Green Chip	570	2.15	5.0
	DEL BD1-561UG-A12	DEL BD1-561UG-C12	AllnGaP/GaAs Yellow Green Chip	570	2.1	12
	DEL BD1-561HY-A12	DEL BD1-561HY-C12	GaAsP/GaP Yellow Chip	590	2.1	3.0
	DEL BD1-561UY-A12	DEL BD1-561UY-C12	AlGaInP/GaAs Yellow Chip	590	2.05	20
	DEL BD1-561YO-A12	DEL BD1-561YO-C12	AlGaInP/GaAs Orange Chip	605	2.05	20
	DEL BD1-561HO-A12	DEL BD1-561HO-C12	GaAsP/GaP Orange Chip	625	2	3
	DEL BD1-561UR-A12	DEL BD1-561UR-C12	AlGaInP/GaAs Red Chip	630	1.95	15
	DEL BD1-561SR-A12	DEL BD1-561SR-C12	AlGaAs/GaAs Red Chip	643	1.85	6
	SD-24 DEL BD1-56xxx-xx2					
   						

0.6"	DEL BD1-601UB-A12	DEL BD1-601UB-C12	InGaN/SiC Blue Chip	465	3.2	15
	DEL BD1-601TB-A12	DEL BD1-601TB-C12	InGaN/Al2O3 Blue Chip	465	3.2	18
	DEL BD1-601PG-A12	DEL BD1-601PG-C12	InGaN/SiC Pure Green Chip	525	3.2	22
	DEL BD1-601GU-A12	DEL BD1-601GU-C12	Gap/Gap Yellow Green Chip	570	2.15	5.0
	DEL BD1-601UG-A12	DEL BD1-601UG-C12	AllnGaP/GaAs Yellow Green Chip	570	2.1	12
	DEL BD1-601HY-A12	DEL BD1-601HY-C12	GaAsP/GaP Yellow Chip	590	2.1	3.0
	DEL BD1-601UY-A12	DEL BD1-601UY-C12	AlGaInP/GaAs Yellow Chip	590	2.05	20
	DEL BD1-601YO-A12	DEL BD1-601YO-C12	AlGaInP/GaAs Orange Chip	605	2.05	20
	DEL BD1-601HO-A12	DEL BD1-601HO-C12	GaAsP/GaP Orange Chip	625	2	3
	DEL BD1-601UR-A12	DEL BD1-601UR-C12	AlGaInP/GaAs Red Chip	630	1.95	15
	DEL BD1-601SR-A12	DEL BD1-601SR-C12	AlGaAs/GaAs Red Chip	643	1.85	6
	SD-26 DEL BD1-60xxx-xx2					
   						

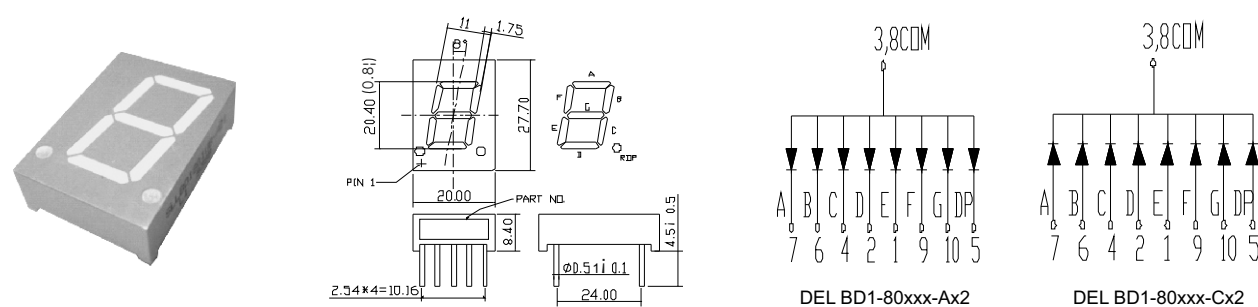
Digit Size	Part No.		Chip		Electro-optical Data (At 10mA)	
	Common Anode	Common Cathode	Material/Emitted Color	Wave Length λ (nm)	VF (V) Typ.	Iv.Typ. Per. Seg. (mcd)
0.8"	DEL BD1-801UB-A11	DEL BD1-801UB-C11	InGaN/SiC Blue Chip	465	3.2	18
	DEL BD1-801TB-A11	DEL BD1-801TB-C11	InGaN/Al2O3 Blue Chip	465	3.2	20
	DEL BD1-801PG-A11	DEL BD1-801PG-C11	InGaN/SiC Pure Green Chip	525	3.2	22
	DEL BD1-801GU-A11	DEL BD1-801GU-C11	Gap/Gap Yellow Green Chip	570	2.15	10
	DEL BD1-801UG-A11	DEL BD1-801UG-C11	AllnGaP/GaAs Yellow Green Chip	570	2.1	15
	DEL BD1-801HY-A11	DEL BD1-801HY-C11	GaAsP/GaP Yellow Chip	590	2.1	4.5
	DEL BD1-801UY-A11	DEL BD1-801UY-C11	AlGaInP/GaAs Yellow Chip	590	2.05	20
	DEL BD1-801YO-A11	DEL BD1-801YO-C11	AlGaInP/GaAs Orange Chip	605	2.05	20
	DEL BD1-801HO-A11	DEL BD1-801HO-C11	GaAsP/GaP Orange Chip	625	2	4.5
	DEL BD1-801UR-A11	DEL BD1-801UR-C11	AlGaInP/GaAs Red Chip	630	1.95	15
	DEL BD1-801SR-A11	DEL BD1-801SR-C11	AlGaAs/GaAs Red Chip	643	1.85	10

SD-27 DEL BD1-80xxx-xx1



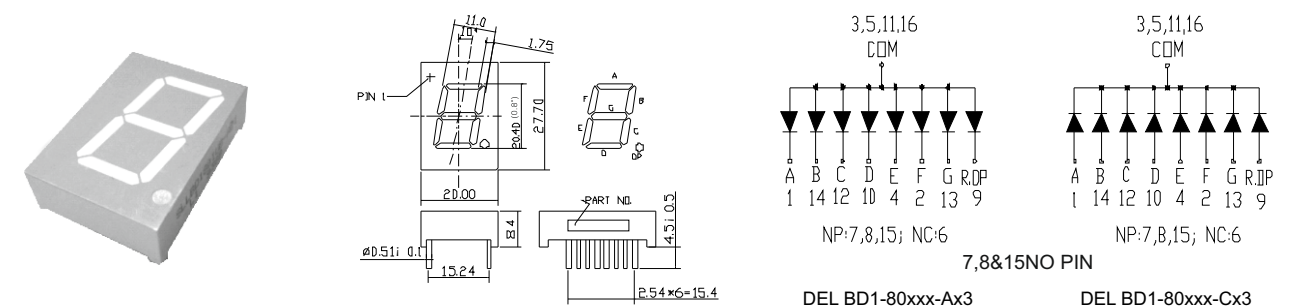
0.8"	DEL BD1-801UB-A12	DEL BD1-801UB-C12	InGaN/SiC Blue Chip	465	3.2	18
	DEL BD1-801TB-A12	DEL BD1-801TB-C12	InGaN/Al2O3 Blue Chip	465	3.2	20
	DEL BD1-801PG-A12	DEL BD1-801PG-C12	InGaN/SiC Pure Green Chip	525	3.2	22
	DEL BD1-801GU-A12	DEL BD1-801GU-C12	Gap/Gap Yellow Green Chip	570	2.15	10
	DEL BD1-801UG-A12	DEL BD1-801UG-C12	AllnGaP/GaAs Yellow Green Chip	570	2.1	15
	DEL BD1-801HY-A12	DEL BD1-801HY-C12	GaAsP/GaP Yellow Chip	590	2.1	4.5
	DEL BD1-801UY-A12	DEL BD1-801UY-C12	AlGaInP/GaAs Yellow Chip	590	2.05	20
	DEL BD1-801YO-A12	DEL BD1-801YO-C12	AlGaInP/GaAs Orange Chip	605	2.05	20
	DEL BD1-801HO-A12	DEL BD1-801HO-C12	GaAsP/GaP Orange Chip	625	2	4.5
	DEL BD1-801UR-A12	DEL BD1-801UR-C12	AlGaInP/GaAs Red Chip	630	1.95	15
	DEL BD1-801SR-A12	DEL BD1-801SR-C12	AlGaAs/GaAs Red Chip	643	1.85	10

SD-28 DEL BD1-80xxx-xx2



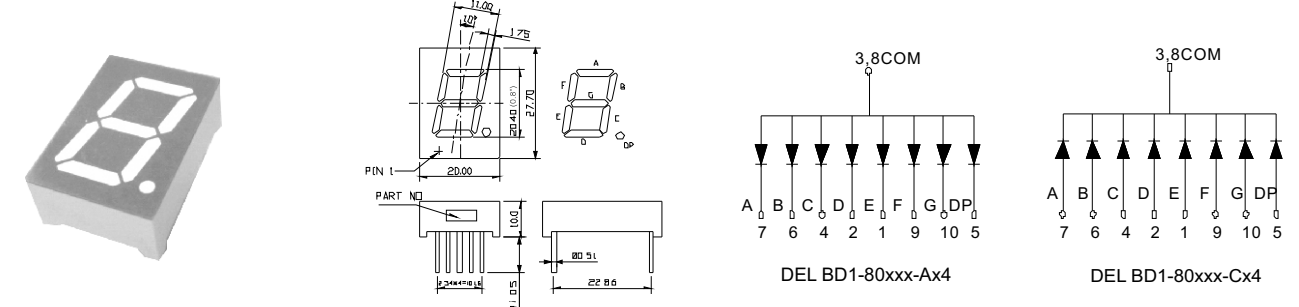
Digit Size	Part No.		Chip		Electro-optical Data (At 10mA)	
	Common Anode	Common Cathode	Material/Emitted Color	Wave Length λ (nm)	VF (V) Typ.	Iv.Typ. Per. Seg. (mcd)
0.8"	DEL BD1-801UB-A13	DEL BD1-801UB-C13	InGaN/SiC Blue Chip	465	3.2	18
	DEL BD1-801TB-A13	DEL BD1-801TB-C13	InGaN/Al2O3 Blue Chip	465	3.2	20
	DEL BD1-801PG-A13	DEL BD1-801PG-C13	InGaN/SiC Pure Green Chip	525	3.2	22
	DEL BD1-801GU-A13	DEL BD1-801GU-C13	Gap/Gap Yellow Green Chip	570	2.15	10
	DEL BD1-801UG-A13	DEL BD1-801UG-C13	AllnGaP/GaAs Yellow Green Chip	570	2.1	15
	DEL BD1-801HY-A13	DEL BD1-801HY-C13	GaAsP/GaP Yellow Chip	590	2.1	4.5
	DEL BD1-801UY-A13	DEL BD1-801UY-C13	AlGaInP/GaAs Yellow Chip	590	2.05	20
	DEL BD1-801YO-A13	DEL BD1-801YO-C13	AlGaInP/GaAs Orange Chip	605	2.05	20
	DEL BD1-801HO-A13	DEL BD1-801HO-C13	GaAsP/GaP Orange Chip	625	2	4.5
	DEL BD1-801UR-A13	DEL BD1-801UR-C13	AlGaInP/GaAs Red Chip	630	1.95	15
	DEL BD1-801SR-A13	DEL BD1-801SR-C13	AlGaAs/GaAs Red Chip	643	1.85	10

SD-29 DEL BD1-80xxx-xx3



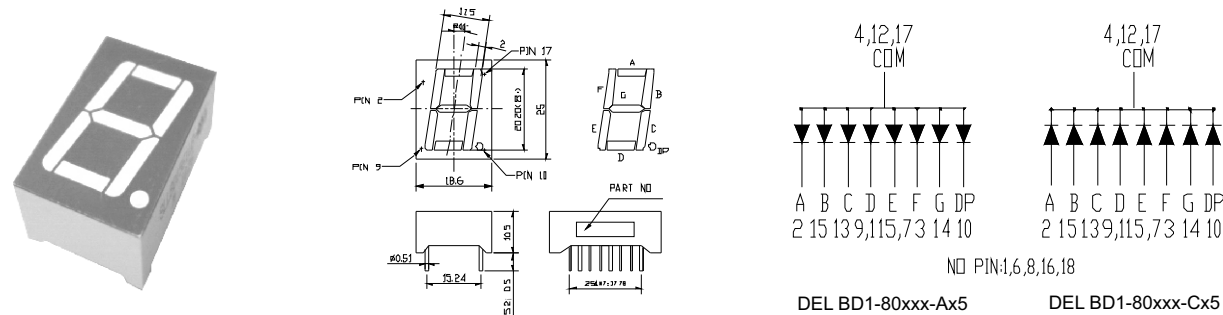
0.8"	DEL BD1-801UB-A14	DEL BD1-801UB-C14	InGaN/SiC Blue Chip	465	3.2	18
	DEL BD1-801TB-A14	DEL BD1-801TB-C14	InGaN/Al2O3 Blue Chip	465	3.2	20
	DEL BD1-801PG-A14	DEL BD1-801PG-C14	InGaN/SiC Pure Green Chip	525	3.2	22
	DEL BD1-801GU-A14	DEL BD1-801GU-C14	Gap/Gap Yellow Green Chip	570	2.15	10
	DEL BD1-801UG-A14	DEL BD1-801UG-C14	AllnGaP/GaAs Yellow Green Chip	570	2.1	15
	DEL BD1-801HY-A14	DEL BD1-801HY-C14	GaAsP/GaP Yellow Chip	590	2.1	4.5
	DEL BD1-801UY-A14	DEL BD1-801UY-C14	AlGaInP/GaAs Yellow Chip	590	2.05	20
	DEL BD1-801YO-A14	DEL BD1-801YO-C14	AlGaInP/GaAs Orange Chip	605	2.05	20
	DEL BD1-801HO-A14	DEL BD1-801HO-C14	GaAsP/GaP Orange Chip	625	2	4.5
	DEL BD1-801UR-A14	DEL BD1-801UR-C14	AlGaInP/GaAs Red Chip	630	1.95	15
	DEL BD1-801SR-A14	DEL BD1-801SR-C14	AlGaAs/GaAs Red Chip	643	1.85	10

SD-30 DEL BD1-80xxx-xx4



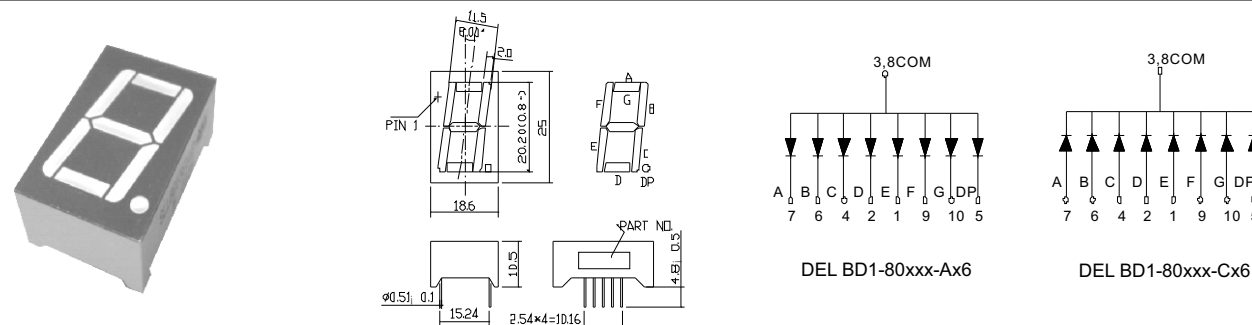
Digit Size	Part No.		Chip		Electro-optical Data (At 10mA)	
	Common Anode	Common Cathode	Material/Emitted Color	Wave Length λ (nm)	VF (V) Typ.	Iv.Typ. Per. Seg. (mcd)
0.8"	DEL BD1-801UB-A15	DEL BD1-801UB-C15	InGaN/SiC Blue Chip	465	3.2	18
	DEL BD1-801TB-A15	DEL BD1-801TB-C15	InGaN/Al2O3 Blue Chip	465	3.2	20
	DEL BD1-801PG-A15	DEL BD1-801PG-C15	InGaN/SiC Pure Green Chip	525	3.2	22
	DEL BD1-801GU-A15	DEL BD1-801GU-C15	Gap/Gap Yellow Green Chip	570	2.15	10
	DEL BD1-801UG-A15	DEL BD1-801UG-C15	AllnGaP/GaAs Yellow Green Chip	570	2.1	15
	DEL BD1-801HY-A15	DEL BD1-801HY-C15	GaAsP/GaP Yellow Chip	590	2.1	4.5
	DEL BD1-801UY-A15	DEL BD1-801UY-C15	AlGaInP/GaAs Yellow Chip	590	2.05	20
	DEL BD1-801YO-A15	DEL BD1-801YO-C15	AlGaInP/GaAs Orange Chip	605	2.05	20
	DEL BD1-801HO-A15	DEL BD1-801HO-C15	GaAsP/GaP Orange Chip	625	2	4.5
	DEL BD1-801UR-A15	DEL BD1-801UR-C15	AlGaInP/GaAs Red Chip	630	1.95	15
	DEL BD1-801SR-A15	DEL BD1-801SR-C15	AlGaAs/GaAs Red Chip	643	1.85	10

SD-31 DEL BD1-80xxx-xx5



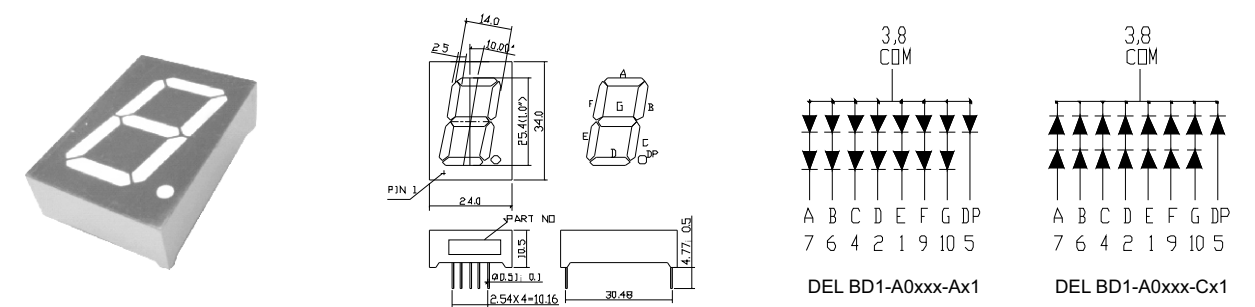
0.8"	DEL BD1-801UB-A16	DEL BD1-801UB-C16	InGaN/SiC Blue Chip	465	3.2	18
	DEL BD1-801TB-A16	DEL BD1-801TB-C16	InGaN/Al2O3 Blue Chip	465	3.2	20
	DEL BD1-801PG-A16	DEL BD1-801PG-C16	InGaN/SiC Pure Green Chip	525	3.2	22
	DEL BD1-801GU-A16	DEL BD1-801GU-C16	Gap/Gap Yellow Green Chip	570	2.15	10
	DEL BD1-801UG-A16	DEL BD1-801UG-C16	AllnGaP/GaAs Yellow Green Chip	570	2.1	15
	DEL BD1-801HY-A16	DEL BD1-801HY-C16	GaAsP/GaP Yellow Chip	590	2.1	4.5
	DEL BD1-801UY-A16	DEL BD1-801UY-C16	AlGaInP/GaAs Yellow Chip	590	2.05	20
	DEL BD1-801YO-A16	DEL BD1-801YO-C16	AlGaInP/GaAs Orange Chip	605	2.05	20
	DEL BD1-801HO-A16	DEL BD1-801HO-C16	GaAsP/GaP Orange Chip	625	2	4.5
	DEL BD1-801UR-A16	DEL BD1-801UR-C16	AlGaInP/GaAs Red Chip	630	1.95	15
	DEL BD1-801SR-A16	DEL BD1-801SR-C16	AlGaAs/GaAs Red Chip	643	1.85	10

SD-32 DEL BD1-80xxx-xx6



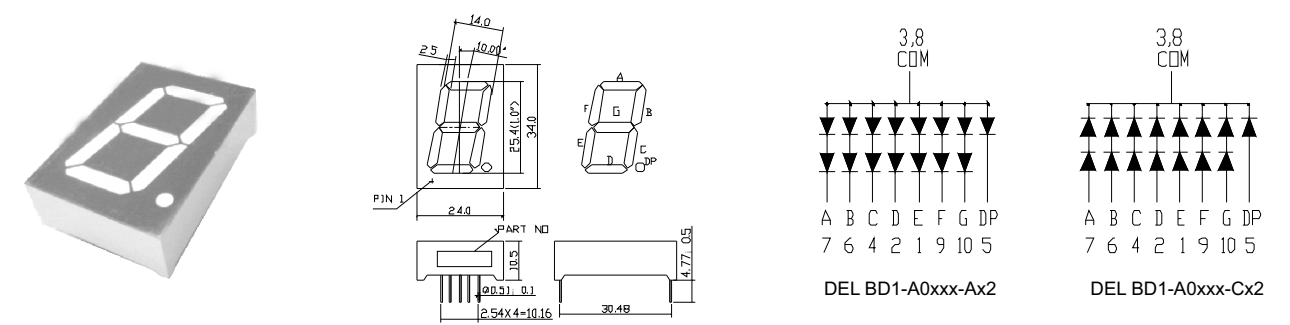
Digit Size	Part No.		Chip		Electro-optical Data (At 10mA)	
	Common Anode	Common Cathode	Material/Emitted Color	Wave Length λ (nm)	VF (V) Typ.	Iv.Typ. Per. Seg. (mcd)
1.0"	DEL BD1-A01UB-A11	DEL BD1-A01UB-C11	InGaN/SiC Blue Chip	465	6.4	26
	DEL BD1-A01TB-A11	DEL BD1-A01TB-C11	InGaN/Al2O3 Blue Chip	465	6.4	30
	DEL BD1-A01PG-A11	DEL BD1-A01PG-C11	InGaN/SiC Pure Green Chip	525	6.4	22
	DEL BD1-A01GU-A11	DEL BD1-A01GU-C11	Gap/Gap Yellow Green Chip	570	4.3	15
	DEL BD1-A01UG-A11	DEL BD1-A01UG-C11	AllnGaP/GaAs Yellow Green Chip	570	4.2	36
	DEL BD1-A01HY-A11	DEL BD1-A01HY-C11	GaAsP/GaP Yellow Chip	590	4.2	7.5
	DEL BD1-A01UY-A11	DEL BD1-A01UY-C11	AlGaInP/GaAs Yellow Chip	590	4.1	26
	DEL BD1-A01YO-A11	DEL BD1-A01YO-C11	AlGaInP/GaAs Orange Chip	605	4.1	26
	DEL BD1-A01HO-A11	DEL BD1-A01HO-C11	GaAsP/GaP Orange Chip	625	4	7.5
	DEL BD1-A01UR-A11	DEL BD1-A01UR-C11	AlGaInP/GaAs Red Chip	630	7.8	18
	DEL BD1-A01SR-A11	DEL BD1-A01SR-C11	AlGaAs/GaAs Red Chip	643	5.4	13

SD-33 DEL BD1-A0xxx-xx1



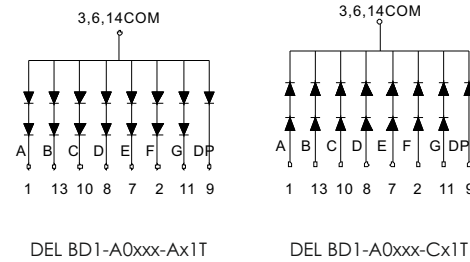
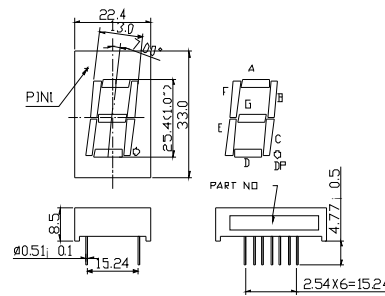
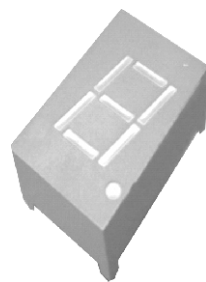
1.0"	DEL BD1-A01UB-A12	DEL BD1-A01UB-C12	InGaN/SiC Blue Chip	465	3.2	26
	DEL BD1-A01TB-A12	DEL BD1-A01TB-C12	InGaN/Al2O3 Blue Chip	465	3.2	30
	DEL BD1-A01PG-A12	DEL BD1-A01PG-C12	InGaN/SiC Pure Green Chip	525	3.2	22
	DEL BD1-A01GU-A12	DEL BD1-A01GU-C12	Gap/Gap Yellow Green Chip	570	2.15	15
	DEL BD1-A01UG-A12	DEL BD1-A01UG-C12	AllnGaP/GaAs Yellow Green Chip	570	2.1	36
	DEL BD1-A01HY-A12	DEL BD1-A01HY-C12	GaAsP/GaP Yellow Chip	590	2.1	7.5
	DEL BD1-A01UY-A12	DEL BD1-A01UY-C12	AlGaInP/GaAs Yellow Chip	590	2.05	26
	DEL BD1-A01YO-A12	DEL BD1-A01YO-C12	AlGaInP/GaAs Orange Chip	605	2.05	26
	DEL BD1-A01HO-A12	DEL BD1-A01HO-C12	GaAsP/GaP Orange Chip	625	2	7.5
	DEL BD1-A01UR-A12	DEL BD1-A01UR-C12	AlGaInP/GaAs Red Chip	630	1.95	18
	DEL BD1-A01SR-A12	DEL BD1-A01SR-C12	AlGaAs/GaAs Red Chip	643	1.85	13

SD-34 DEL BD1-A0xxx-xx2



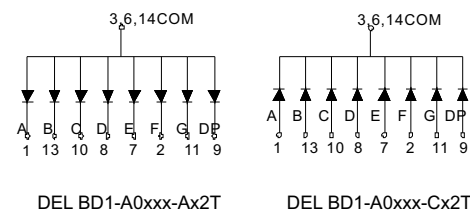
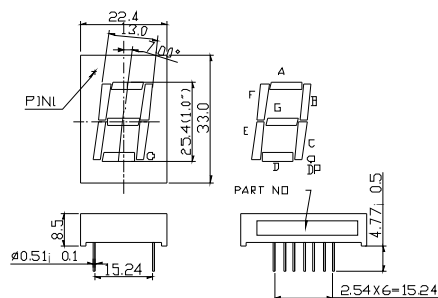
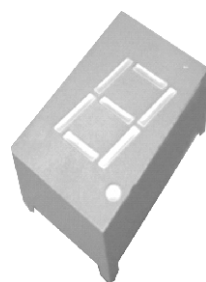
Digit Size	Part No.		Chip		Electro-optical Data (At 10mA)	
	Common Anode	Common Cathode	Material/Emitted Color	Wave Length λ (nm)	V _F (V) Typ.	I _v .Typ. Per. Seg. (mcd)
1.0"	DEL BD1-A01UB-A11T	DEL BD1-A01UB-C11T	InGaN/SiC Blue Chip	465	6.4	26
	DEL BD1-A01TB-A11T	DEL BD1-A01TB-C11T	InGaN/Al2O3 Blue Chip	465	6.4	30
	DEL BD1-A01PG-A11T	DEL BD1-A01PG-C11T	InGaN/SiC Pure Green Chip	525	6.4	22
	DEL BD1-A01GU-A11T	DEL BD1-A01GU-C11T	Gap/Gap Yellow Green Chip	570	4.3	15
	DEL BD1-A01UG-A11T	DEL BD1-A01UG-C11T	AllnGaP/GaAs Yellow Green Chip	570	4.2	36
	DEL BD1-A01HY-A11T	DEL BD1-A01HY-C11T	GaAsP/GaP Yellow Chip	590	4.2	7.5
	DEL BD1-A01UY-A11T	DEL BD1-A01UY-C11T	AlGaInP/GaAs Yellow Chip	590	4.1	26
	DEL BD1-A01YO-A11T	DEL BD1-A01YO-C11T	AlGaInP/GaAs Orange Chip	605	4.1	26
	DEL BD1-A01HO-A11T	DEL BD1-A01HO-C11T	GaAsP/GaP Orange Chip	625	4	7.5
	DEL BD1-A01UR-A11T	DEL BD1-A01UR-C11T	AlGaInP/GaAs Red Chip	630	3.9	18
	DEL BD1-A01SR-A11T	DEL BD1-A01SR-C11T	AlGaAs/GaAs Red Chip	643	3.7	13

SD-35 DEL BD1-A0xxx-xx1T



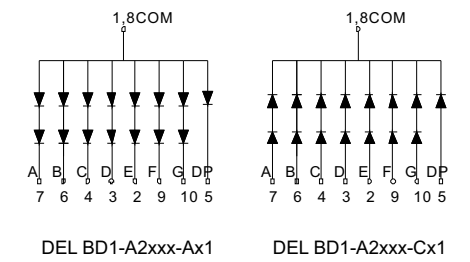
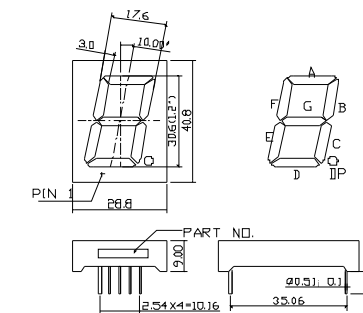
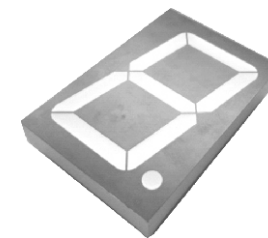
1.0"	DEL BD1-A01UB-A12T	DEL BD1-A01UB-C12T	InGaN/SiC Blue Chip	465	3.2	18
	DEL BD1-A01TB-A12T	DEL BD1-A01TB-C12T	InGaN/Al2O3 Blue Chip	465	3.2	20
	DEL BD1-A01PG-A12T	DEL BD1-A01PG-C12T	InGaN/SiC Pure Green Chip	525	3.2	22
	DEL BD1-A01GU-A12T	DEL BD1-A01GU-C12T	Gap/Gap Yellow Green Chip	570	2.15	10
	DEL BD1-A01UG-A12T	DEL BD1-A01UG-C12T	AllnGaP/GaAs Yellow Green Chip	570	2.1	15
	DEL BD1-A01HY-A12T	DEL BD1-A01HY-C12T	GaAsP/GaP Yellow Chip	590	2.1	4.5
	DEL BD1-A01UY-A12T	DEL BD1-A01UY-C12T	AlGaInP/GaAs Yellow Chip	590	2.05	20
	DEL BD1-A01YO-A12T	DEL BD1-A01YO-C12T	AlGaInP/GaAs Orange Chip	605	2.05	20
	DEL BD1-A01HO-A12T	DEL BD1-A01HO-C12T	GaAsP/GaP Orange Chip	625	2	4.5
	DEL BD1-A01UR-A12T	DEL BD1-A01UR-C12T	AlGaInP/GaAs Red Chip	630	1.95	15
	DEL BD1-A01SR-A12T	DEL BD1-A01SR-C12T	AlGaAs/GaAs Red Chip	643	1.85	10

SD-36 DEL BD1-A0xxx-x2T



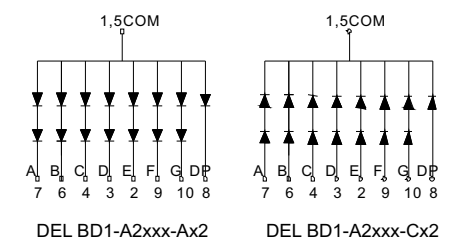
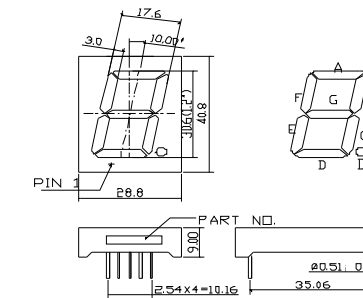
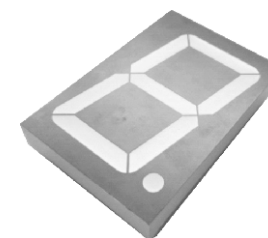
Digit Size	Part No.		Chip		Electro-optical Data (At 10mA)	
	Common Anode	Common Cathode	Material/Emitted Color	Wave Length λ (nm)	V _F (V) Typ.	I _v .Typ. Per. Seg. (mcd)
1.2"	DEL BD1-A21UB-A11	DEL BD1-A21UB-C11	InGaN/SiC Blue Chip	465	6.4	26
	DEL BD1-A21TB-A11	DEL BD1-A21TB-C11	InGaN/Al2O3 Blue Chip	465	6.4	30
	DEL BD1-A21PG-A11	DEL BD1-A21PG-C11	InGaN/SiC Pure Green Chip	525	6.4	22
	DEL BD1-A21GU-A11	DEL BD1-A21GU-C11	Gap/Gap Yellow Green Chip	570	4.3	15
	DEL BD1-A21UG-A11	DEL BD1-A21UG-C11	AllnGaP/GaAs Yellow Green Chip	570	4.2	36
	DEL BD1-A21HY-A11	DEL BD1-A21HY-C11	GaAsP/GaP Yellow Chip	590	4.2	7.5
	DEL BD1-A21UY-A11	DEL BD1-A21UY-C11	AlGaInP/GaAs Yellow Chip	590	4.1	26
	DEL BD1-A21YO-A11	DEL BD1-A21YO-C11	AlGaInP/GaAs Orange Chip	605	4.1	26
	DEL BD1-A21HO-A11	DEL BD1-A21HO-C11	GaAsP/GaP Orange Chip	625	4	7.5
	DEL BD1-A21UR-A11	DEL BD1-A21UR-C11	AlGaInP/GaAs Red Chip	630	3.9	18
	DEL BD1-A21SR-A11	DEL BD1-A21SR-C11	AlGaAs/GaAs Red Chip	643	3.7	13

SD-37 DEL BD1-A2xxx-xx1



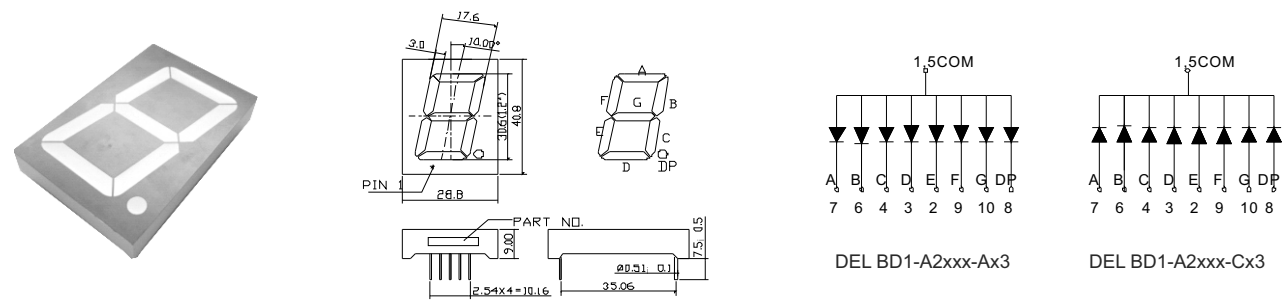
1.2"	DEL BD1-A21UB-A12	DEL BD1-A21UB-C12	InGaN/SiC Blue Chip	465	6.4	26
	DEL BD1-A21TB-A12	DEL BD1-A21TB-C12	InGaN/Al2O3 Blue Chip	465	6.4	30
	DEL BD1-A21PG-A12	DEL BD1-A21PG-C12	InGaN/SiC Pure Green Chip	525	6.4	22
	DEL BD1-A21GU-A12	DEL BD1-A21GU-C12	Gap/Gap Yellow Green Chip	570	4.3	15
	DEL BD1-A21UG-A12	DEL BD1-A21UG-C12	AllnGaP/GaAs Yellow Green Chip	570	4.2	36
	DEL BD1-A21HY-A12	DEL BD1-A21HY-C12	GaAsP/GaP Yellow Chip	590	4.2	7.5
	DEL BD1-A21UY-A12	DEL BD1-A21UY-C12	AlGaInP/GaAs Yellow Chip	590	4.1	26
	DEL BD1-A21YO-A12	DEL BD1-A21YO-C12	AlGaInP/GaAs Orange Chip	605	4.1	26
	DEL BD1-A21HO-A12	DEL BD1-A21HO-C12	GaAsP/GaP Orange Chip	625	4	7.5
	DEL BD1-A21UR-A12	DEL BD1-A21UR-C12	AlGaInP/GaAs Red Chip	630	3.9	18
	DEL BD1-A21SR-A12	DEL BD1-A21SR-C12	AlGaAs/GaAs Red Chip	643	3.7	13

SD-38 DEL BD1-A2xxx-xx2



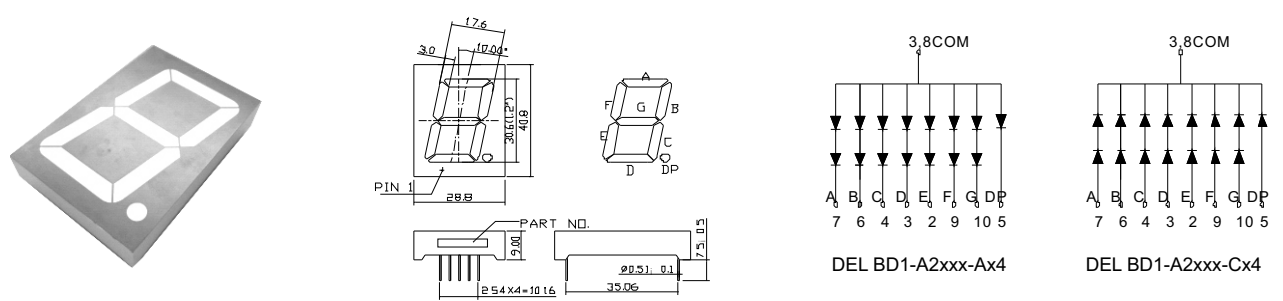
Digit Size	Part No.		Chip	Electro-optical Data (At 10mA)	Electro-optical Data (At 10mA)	
	Common Anode	Common Cathode			Material/Emitted Color	Wave Length λ_d (nm)
1.2"	DEL BD1-A21UB-A13	DEL BD1-A21UB-C13	InGaN/SiC Blue Chip	465	3.2	18
	DEL BD1-A21TB-A13	DEL BD1-A21TB-C13	InGaN/Al2O3 Blue Chip	465	3.2	20
	DEL BD1-A21PG-A13	DEL BD1-A21PG-C13	InGaN/SiC Pure Green Chip	525	3.2	22
	DEL BD1-A21GU-A13	DEL BD1-A21GU-C13	Gap/Gap Yellow Green Chip	570	2.15	10
	DEL BD1-A21UG-A13	DEL BD1-A21UG-C13	AllnGaP/GaAs Yellow Green Chip	570	2.1	15
	DEL BD1-A21HY-A13	DEL BD1-A21HY-C13	GaAsP/GaP Yellow Chip	590	2.1	4.5
	DEL BD1-A21UY-A13	DEL BD1-A21UY-C13	AlGaInP/GaAs Yellow Chip	590	2.05	20
	DEL BD1-A21YO-A13	DEL BD1-A21YO-C13	AlGaInP/GaAs Orange Chip	605	2.05	20
	DEL BD1-A21HO-A13	DEL BD1-A21HO-C13	GaAsP/GaP Orange Chip	625	2	4.5
	DEL BD1-A21UR-A13	DEL BD1-A21UR-C13	AlGaInP/GaAs Red Chip	630	1.95	15
	DEL BD1-A21SR-A13	DEL BD1-A21SR-C13	AlGaAs/GaAs Red Chip	643	1.85	10

SD-39 DEL BD1-A2xxx-xx3



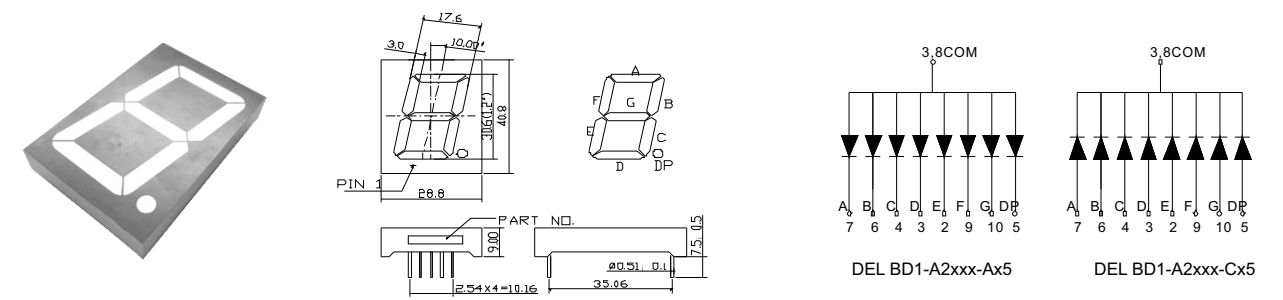
1.2"	DEL BD1-A21UB-A14	DEL BD1-A21UB-C14	InGaN/SiC Blue Chip	465	6.4	26
	DEL BD1-A21TB-A14	DEL BD1-A21TB-C14	InGaN/Al2O3 Blue Chip	465	6.4	30
	DEL BD1-A21PG-A14	DEL BD1-A21PG-C14	InGaN/SiC Pure Green Chip	525	6.4	22
	DEL BD1-A21GU-A14	DEL BD1-A21GU-C14	Gap/Gap Yellow Green Chip	570	4.3	15
	DEL BD1-A21UG-A14	DEL BD1-A21UG-C14	AllnGaP/GaAs Yellow Green Chip	570	4.2	36
	DEL BD1-A21HY-A14	DEL BD1-A21HY-C14	GaAsP/GaP Yellow Chip	590	4.2	7.5
	DEL BD1-A21UY-A14	DEL BD1-A21UY-C14	AlGaInP/GaAs Yellow Chip	590	4.1	26
	DEL BD1-A21YO-A14	DEL BD1-A21YO-C14	AlGaInP/GaAs Orange Chip	605	4.1	26
	DEL BD1-A21HO-A14	DEL BD1-A21HO-C14	GaAsP/GaP Orange Chip	625	4	7.5
	DEL BD1-A21UR-A14	DEL BD1-A21UR-C14	AlGaInP/GaAs Red Chip	630	3.9	18
	DEL BD1-A21SR-A14	DEL BD1-A21SR-C14	AlGaAs/GaAs Red Chip	643	3.7	13

SD-40 DEL BD1-A2xxx-xx4



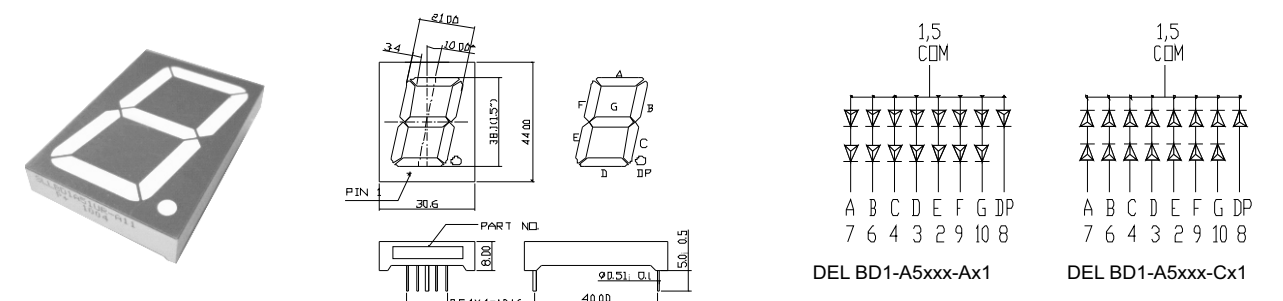
Digit Size	Part No.		Chip	Electro-optical Data (At 10mA)	Electro-optical Data (At 10mA)	
	Common Anode	Common Cathode			Material/Emitted Color	Wave Length λ_d (nm)
1.2"	DEL BD1-A21UB-A15	DEL BD1-A21UB-C15	InGaN/SiC Blue Chip	465	3.2	18
	DEL BD1-A21TB-A15	DEL BD1-A21TB-C15	InGaN/Al2O3 Blue Chip	465	3.2	20
	DEL BD1-A21PG-A15	DEL BD1-A21PG-C15	InGaN/SiC Pure Green Chip	525	3.2	22
	DEL BD1-A21GU-A15	DEL BD1-A21GU-C15	Gap/Gap Yellow Green Chip	570	2.15	10
	DEL BD1-A21UG-A15	DEL BD1-A21UG-C15	AllnGaP/GaAs Yellow Green Chip	570	2.1	15
	DEL BD1-A21HY-A15	DEL BD1-A21HY-C15	GaAsP/GaP Yellow Chip	590	2.1	4.5
	DEL BD1-A21UY-A15	DEL BD1-A21UY-C15	AlGaInP/GaAs Yellow Chip	590	2.05	20
	DEL BD1-A21YO-A15	DEL BD1-A21YO-C15	AlGaInP/GaAs Orange Chip	605	2.05	20
	DEL BD1-A21HO-A15	DEL BD1-A21HO-C15	GaAsP/GaP Orange Chip	625	2	4.5
	DEL BD1-A21UR-A15	DEL BD1-A21UR-C15	AlGaInP/GaAs Red Chip	630	1.95	15
	DEL BD1-A21SR-A15	DEL BD1-A21SR-C15	AlGaAs/GaAs Red Chip	643	1.85	10

SD-41 DEL BD1-A2xxx-xx5



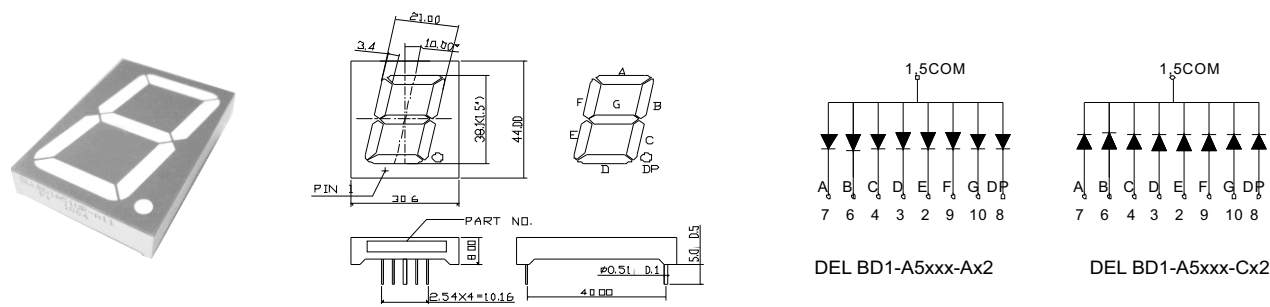
1.5"	DEL BD1-A51UB-A11	DEL BD1-A51UB-C11	InGaN/SiC Blue Chip	465	6.4	26
	DEL BD1-A51TB-A11	DEL BD1-A51TB-C11	InGaN/Al2O3 Blue Chip	465	6.4	30
	DEL BD1-A51PG-A11	DEL BD1-A51PG-C11	InGaN/SiC Pure Green Chip	525	6.4	22
	DEL BD1-A51GU-A11	DEL BD1-A51GU-C11	Gap/Gap Yellow Green Chip	570	4.3	15
	DEL BD1-A51UG-A11	DEL BD1-A51UG-C11	AllnGaP/GaAs Yellow Green Chip	570	4.2	36
	DEL BD1-A51HY-A11	DEL BD1-A51HY-C11	GaAsP/GaP Yellow Chip	590	4.2	7.5
	DEL BD1-A51UY-A11	DEL BD1-A51UY-C11	AlGaInP/GaAs Yellow Chip	590	4.1	26
	DEL BD1-A51YO-A11	DEL BD1-A51YO-C11	AlGaInP/GaAs Orange Chip	605	4.1	26
	DEL BD1-A51HO-A11	DEL BD1-A51HO-C11	GaAsP/GaP Orange Chip	625	4	7.5
	DEL BD1-A51UR-A11	DEL BD1-A51UR-C11	AlGaInP/GaAs Red Chip	630	3.9	18
	DEL BD1-A51SR-A11	DEL BD1-A51SR-C11	AlGaAs/GaAs Red Chip	643	3.7	13

SD-42 DEL BD1-A5xxx-xx1



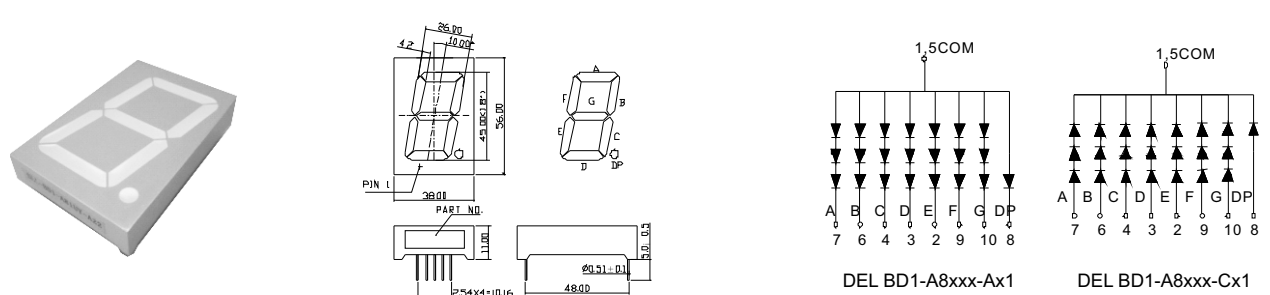
Digit Size	Part No.		Chip		Electro-optical Data (At 10mA)	
	Common Anode	Common Cathode	Material/Emitted Color	Wave Length λ (nm)	VF (V) Typ.	Iv.Typ. Per. Seg. (mcd)
1.5"	DEL BD1-A51UB-A12	DEL BD1-A51UB-C12	InGaN/SiC Blue Chip	465	3.2	18
	DEL BD1-A51TB-A12	DEL BD1-A51TB-C12	InGaN/Al2O3 Blue Chip	465	3.2	20
	DEL BD1-A51PG-A12	DEL BD1-A51PG-C12	InGaN/SiC Pure Green Chip	525	3.2	22
	DEL BD1-A51GU-A12	DEL BD1-A51GU-C12	Gap/Gap Yellow Green Chip	570	2.15	10
	DEL BD1-A51UG-A12	DEL BD1-A51UG-C12	AllnGaP/GaAs Yellow Green Chip	570	2.1	15
	DEL BD1-A51HY-A12	DEL BD1-A51HY-C12	GaAsP/GaP Yellow Chip	590	2.1	4.5
	DEL BD1-A51UY-A12	DEL BD1-A51UY-C12	AlGaInP/GaAs Yellow Chip	590	2.05	20
	DEL BD1-A51YO-A12	DEL BD1-A51YO-C12	AlGaInP/GaAs Orange Chip	605	2.05	20
	DEL BD1-A51HO-A12	DEL BD1-A51HO-C12	GaAsP/GaP Orange Chip	625	2	4.5
	DEL BD1-A51UR-A12	DEL BD1-A51UR-C12	AlGaInP/GaAs Red Chip	630	1.95	15
	DEL BD1-A51SR-A12	DEL BD1-A51SR-C12	AlGaAs/GaAs Red Chip	643	1.85	10

SD-43 DEL BD1-A5xxx-xx2



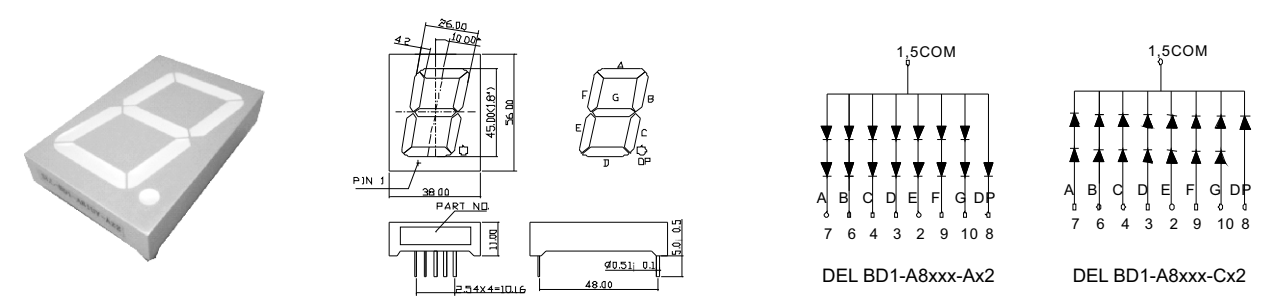
1.8"	DEL BD1-A81UB-A11	DEL BD1-A81UB-C11	InGaN/SiC Blue Chip	465	9.6	26
	DEL BD1-A81TB-A11	DEL BD1-A81TB-C11	InGaN/Al2O3 Blue Chip	465	9.6	30
	DEL BD1-A81PG-A11	DEL BD1-A81PG-C11	InGaN/SiC Pure Green Chip	525	9.6	22
	DEL BD1-A81GU-A11	DEL BD1-A81GU-C11	Gap/Gap Yellow Green Chip	570	6.45	15
	DEL BD1-A81UG-A11	DEL BD1-A81UG-C11	AllnGaP/GaAs Yellow Green Chip	570	6.3	36
	DEL BD1-A81HY-A11	DEL BD1-A81HY-C11	GaAsP/GaP Yellow Chip	590	6.3	7.5
	DEL BD1-A81UY-A11	DEL BD1-A81UY-C11	AlGaInP/GaAs Yellow Chip	590	6.15	26
	DEL BD1-A81YO-A11	DEL BD1-A81YO-C11	AlGaInP/GaAs Orange Chip	605	6.15	26
	DEL BD1-A81HO-A11	DEL BD1-A81HO-C11	GaAsP/GaP Orange Chip	625	6	7.5
	DEL BD1-A81UR-A11	DEL BD1-A81UR-C11	AlGaInP/GaAs Red Chip	630	5.85	18
	DEL BD1-A81SR-A11	DEL BD1-A81SR-C11	AlGaAs/GaAs Red Chip	643	5.55	13

SD-44 DEL BD1-A8xxx-xx1



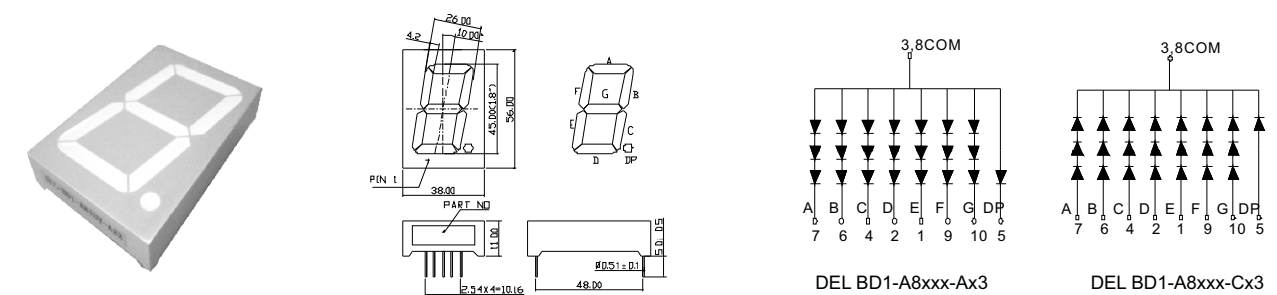
Digit Size	Part No.		Chip		Electro-optical Data (At 10mA)	
	Common Anode	Common Cathode	Material/Emitted Color	Wave Length λ (nm)	VF (V) Typ.	Iv.Typ. Per. Seg. (mcd)
1.8"	DEL BD1-A81UB-A12	DEL BD1-A81UB-C12	InGaN/SiC Blue Chip	465	6.4	26
	DEL BD1-A81TB-A12	DEL BD1-A81TB-C12	InGaN/Al2O3 Blue Chip	465	6.4	30
	DEL BD1-A81PG-A12	DEL BD1-A81PG-C12	InGaN/SiC Pure Green Chip	525	6.4	22
	DEL BD1-A81GU-A12	DEL BD1-A81GU-C12	Gap/Gap Yellow Green Chip	570	4.3	15
	DEL BD1-A81UG-A12	DEL BD1-A81UG-C12	AllnGaP/GaAs Yellow Green Chip	570	4.2	36
	DEL BD1-A81HY-A12	DEL BD1-A81HY-C12	GaAsP/GaP Yellow Chip	590	4.2	7.5
	DEL BD1-A81UY-A12	DEL BD1-A81UY-C12	AlGaInP/GaAs Yellow Chip	590	4.1	26
	DEL BD1-A81YO-A12	DEL BD1-A81YO-C12	AlGaInP/GaAs Orange Chip	605	4.1	26
	DEL BD1-A81HO-A12	DEL BD1-A81HO-C12	GaAsP/GaP Orange Chip	625	4	7.5
	DEL BD1-A81UR-A12	DEL BD1-A81UR-C12	AlGaInP/GaAs Red Chip	630	3.9	18
	DEL BD1-A81SR-A12	DEL BD1-A81SR-C12	AlGaAs/GaAs Red Chip	643	3.7	13

SD-45 DEL BD1-A8xxx-xx2



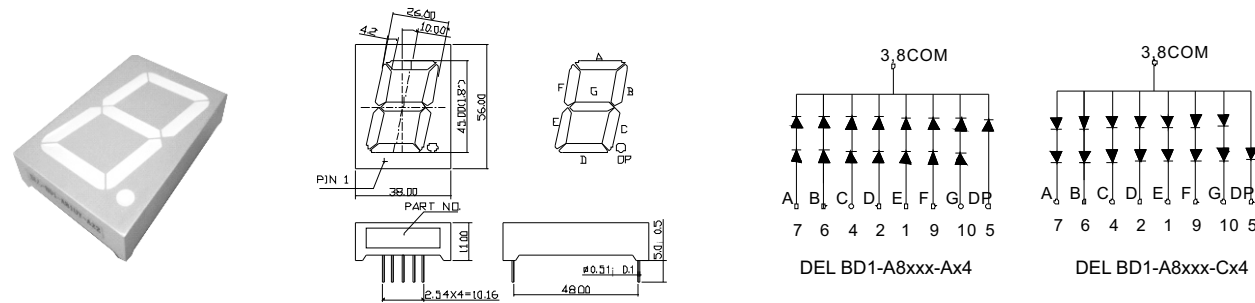
1.8"	DEL BD1-A81UB-A13	DEL BD1-A81UB-C13	InGaN/SiC Blue Chip	465	9.6	26
	DEL BD1-A81TB-A13	DEL BD1-A81TB-C13	InGaN/Al2O3 Blue Chip	465	9.6	30
	DEL BD1-A81PG-A13	DEL BD1-A81PG-C13	InGaN/SiC Pure Green Chip	525	9.6	22
	DEL BD1-A81GU-A13	DEL BD1-A81GU-C13	Gap/Gap Yellow Green Chip	570	6.45	15
	DEL BD1-A81UG-A13	DEL BD1-A81UG-C13	AllnGaP/GaAs Yellow Green Chip	570	6.3	36
	DEL BD1-A81HY-A13	DEL BD1-A81HY-C13	GaAsP/GaP Yellow Chip	590	6.3	7.5
	DEL BD1-A81UY-A13	DEL BD1-A81UY-C13	AlGaInP/GaAs Yellow Chip	590	6.15	26
	DEL BD1-A81YO-A13	DEL BD1-A81YO-C13	AlGaInP/GaAs Orange Chip	605	6.15	26
	DEL BD1-A81HO-A13	DEL BD1-A81HO-C13	GaAsP/GaP Orange Chip	625	6	7.5
	DEL BD1-A81UR-A13	DEL BD1-A81UR-C13	AlGaInP/GaAs Red Chip	630	5.85	18
	DEL BD1-A81SR-A13	DEL BD1-A81SR-C13	AlGaAs/GaAs Red Chip	643	5.55	13

SD-46 DEL BD1-A8xxx-xx3



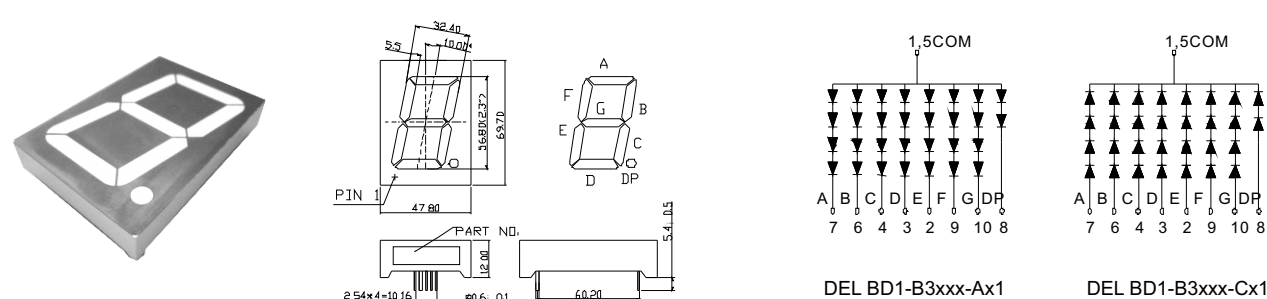
Digit Size	Part No.		Chip		Electro-optical Data (At 10mA)	
	Common Anode	Common Cathode	Material/Emitted Color	Wave Length λ_d (nm)	VF (V) Typ.	Iv.Typ. Per. Seg. (mcd)
1.8"	DEL BD1-A81UB-A14	DEL BD1-A81UB-C14	InGaN/SiC Blue Chip	465	6.4	26
	DEL BD1-A81TB-A14	DEL BD1-A81TB-C14	InGaN/Al2O3 Blue Chip	465	6.4	30
	DEL BD1-A81PG-A14	DEL BD1-A81PG-C14	InGaN/SiC Pure Green Chip	525	6.4	22
	DEL BD1-A81GU-A14	DEL BD1-A81GU-C14	Gap/Gap Yellow Green Chip	570	4.3	15
	DEL BD1-A81UG-A14	DEL BD1-A81UG-C14	AllnGaP/GaAs Yellow Green Chip	570	4.2	36
	DEL BD1-A81HY-A14	DEL BD1-A81HY-C14	GaAsP/GaP Yellow Chip	590	4.2	7.5
	DEL BD1-A81UY-A14	DEL BD1-A81UY-C14	AlGaInP/GaAs Yellow Chip	590	4.1	26
	DEL BD1-A81YO-A14	DEL BD1-A81YO-C14	AlGaInP/GaAs Orange Chip	605	4.1	26
	DEL BD1-A81HO-A14	DEL BD1-A81HO-C14	GaAsP/GaP Orange Chip	625	4	7.5
	DEL BD1-A81UR-A14	DEL BD1-A81UR-C14	AlGaInP/GaAs Red Chip	630	3.9	18
	DEL BD1-A81SR-A14	DEL BD1-A81SR-C14	AlGaAs/GaAs Red Chip	643	3.7	13

SD-47 DEL BD1-A8xxx-xx4



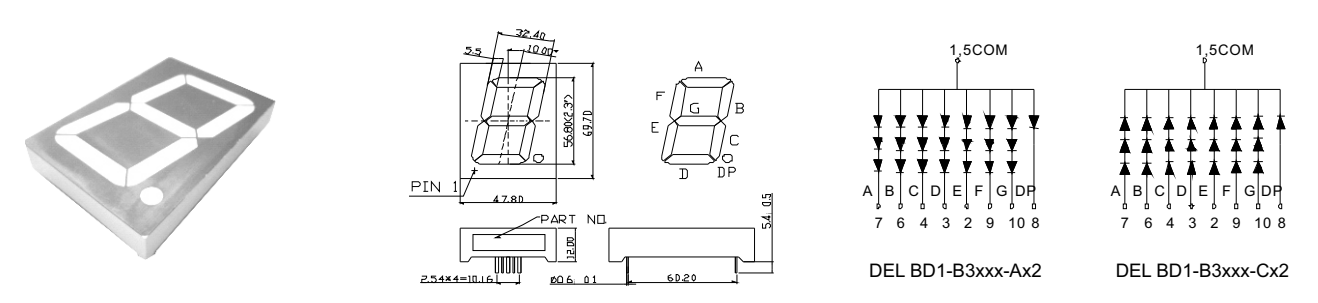
2.3"	DEL BD1-B31UB-A11	DEL BD1-B31UB-C11	InGaN/SiC Blue Chip	465	12.8	26
	DEL BD1-B31TB-A11	DEL BD1-B31TB-C11	InGaN/Al2O3 Blue Chip	465	12.8	30
	DEL BD1-B31PG-A11	DEL BD1-B31PG-C11	InGaN/SiC Pure Green Chip	525	12.8	22
	DEL BD1-B31GU-A11	DEL BD1-B31GU-C11	Gap/Gap Yellow Green Chip	570	8.6	15
	DEL BD1-B31UG-A11	DEL BD1-B31UG-C11	AllnGaP/GaAs Yellow Green Chip	570	8.4	36
	DEL BD1-B31HY-A11	DEL BD1-B31HY-C11	GaAsP/GaP Yellow Chip	590	8.4	7.5
	DEL BD1-B31UY-A11	DEL BD1-B31UY-C11	AlGaInP/GaAs Yellow Chip	590	8.2	26
	DEL BD1-B31YO-A11	DEL BD1-B31YO-C11	AlGaInP/GaAs Orange Chip	605	8.2	26
	DEL BD1-B31HO-A11	DEL BD1-B31HO-C11	GaAsP/GaP Orange Chip	625	8	7.5
	DEL BD1-B31UR-A11	DEL BD1-B31UR-C11	AlGaInP/GaAs Red Chip	630	7.8	20
	DEL BD1-B31SR-A11	DEL BD1-B31SR-C11	AlGaAs/GaAs Red Chip	643	7.4	18

SD-48 DEL BD1-B3xxx-xx1



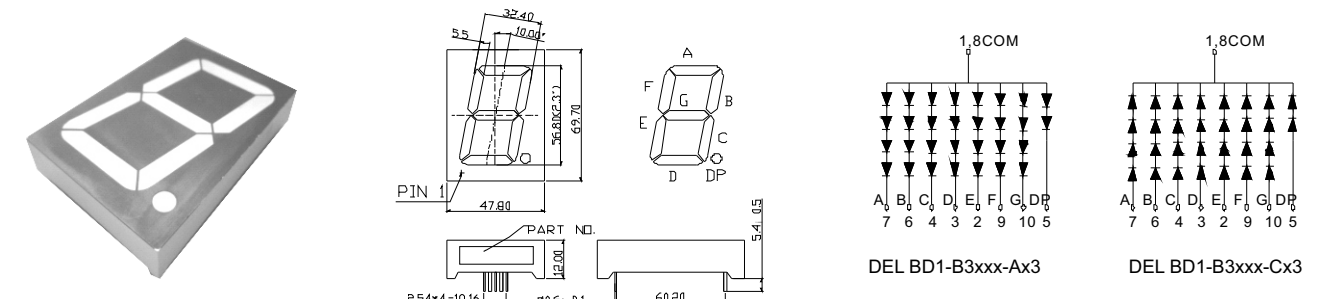
Digit Size	Part No.		Chip		Electro-optical Data (At 10mA)	
	Common Anode	Common Cathode	Material/Emitted Color	Wave Length λ_d (nm)	VF (V) Typ.	Iv.Typ. Per. Seg. (mcd)
2.3"	DEL BD1-B31UB-A12	DEL BD1-B31UB-C12	InGaN/SiC Blue Chip	465	9.6	26
	DEL BD1-B31TB-A12	DEL BD1-B31TB-C12	InGaN/Al2O3 Blue Chip	465	9.6	30
	DEL BD1-B31PG-A12	DEL BD1-B31PG-C12	InGaN/SiC Pure Green Chip	525	9.6	22
	DEL BD1-B31GU-A12	DEL BD1-B31GU-C12	Gap/Gap Yellow Green Chip	570	6.45	15
	DEL BD1-B31UG-A12	DEL BD1-B31UG-C12	AllnGaP/GaAs Yellow Green Chip	570	6.3	36
	DEL BD1-B31HY-A12	DEL BD1-B31HY-C12	GaAsP/GaP Yellow Chip	590	6.3	7.5
	DEL BD1-B31UY-A12	DEL BD1-B31UY-C12	AlGaInP/GaAs Yellow Chip	590	6.15	26
	DEL BD1-B31YO-A12	DEL BD1-B31YO-C12	AlGaInP/GaAs Orange Chip	605	6.15	26
	DEL BD1-B31HO-A12	DEL BD1-B31HO-C12	GaAsP/GaP Orange Chip	625	6	7.5
	DEL BD1-B31UR-A12	DEL BD1-B31UR-C12	AlGaInP/GaAs Red Chip	630	5.85	20
	DEL BD1-B31SR-A12	DEL BD1-B31SR-C12	AlGaAs/GaAs Red Chip	643	5.55	18

SD-49 DEL BD1-B3xxx-xx2



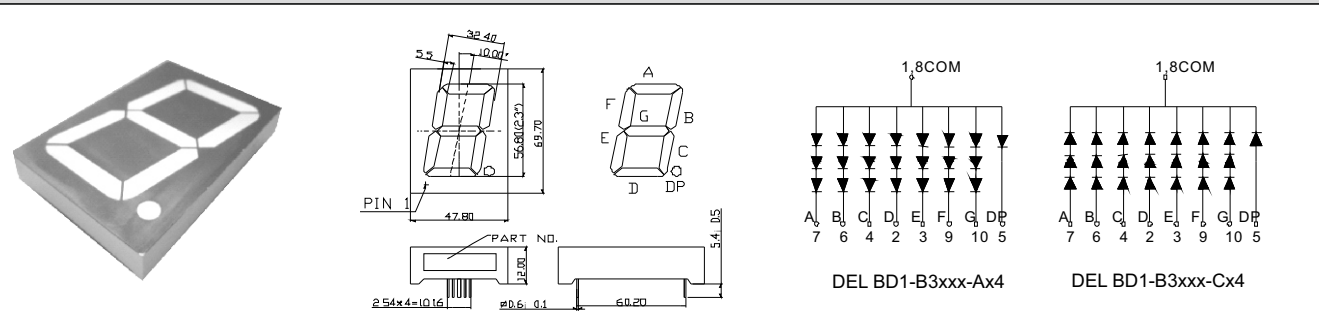
2.3"	DEL BD1-B31UB-A13	DEL BD1-B31UB-C13	InGaN/SiC Blue Chip	465	12.8	26
	DEL BD1-B31TB-A13	DEL BD1-B31TB-C13	InGaN/Al2O3 Blue Chip	465	12.8	30
	DEL BD1-B31PG-A13	DEL BD1-B31PG-C13	InGaN/SiC Pure Green Chip	525	12.8	22
	DEL BD1-B31GU-A13	DEL BD1-B31GU-C13	Gap/Gap Yellow Green Chip	570	8.6	15
	DEL BD1-B31UG-A13	DEL BD1-B31UG-C13	AllnGaP/GaAs Yellow Green Chip	570	8.4	36
	DEL BD1-B31HY-A13	DEL BD1-B31HY-C13	GaAsP/GaP Yellow Chip	590	8.4	7.5
	DEL BD1-B31UY-A13	DEL BD1-B31UY-C13	AlGaInP/GaAs Yellow Chip	590	8.2	26
	DEL BD1-B31YO-A13	DEL BD1-B31YO-C13	AlGaInP/GaAs Orange Chip	605	8.2	26
	DEL BD1-B31HO-A13	DEL BD1-B31HO-C13	GaAsP/GaP Orange Chip	625	8	7.5
	DEL BD1-B31UR-A13	DEL BD1-B31UR-C13	AlGaInP/GaAs Red Chip	630	7.8	18
	DEL BD1-B31SR-A13	DEL BD1-B31SR-C13	AlGaAs/GaAs Red Chip	643	7.4	18

SD-50 DEL BD1-B3xxx-xx3



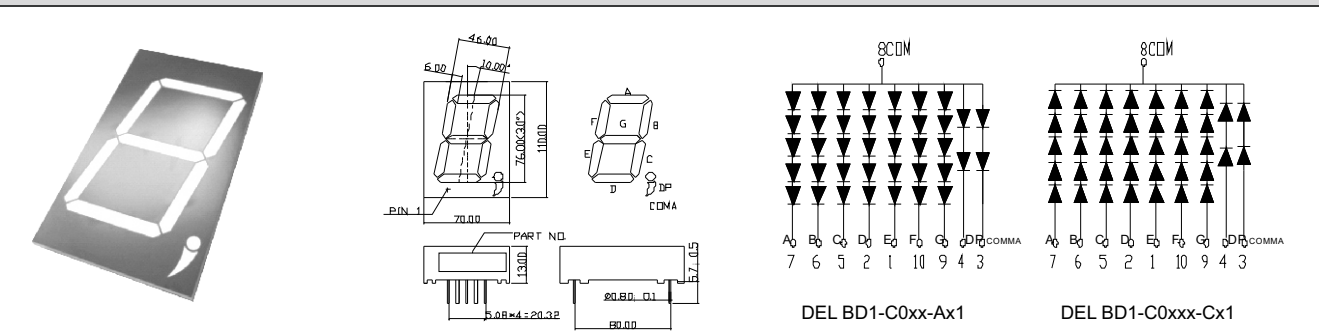
Digit Size	Part No.		Chip		Electro-optical Data (At 10mA)	
	Common Anode	Common Cathode	Material/Emitted Color	Wave Length λ (nm)	VF (V) Typ.	Iv.Typ. Per. Seg. (mcd)
2.3"	DEL BD1-B31UB-A14	DEL BD1-B31UB-C14	InGaN/SiC Blue Chip	465	9.6	26
	DEL BD1-B31TB-A14	DEL BD1-B31TB-C14	InGaN/Al2O3 Blue Chip	465	9.6	30
	DEL BD1-B31PG-A14	DEL BD1-B31PG-C14	InGaN/SiC Pure Green Chip	525	9.6	22
	DEL BD1-B31GU-A14	DEL BD1-B31GU-C14	Gap/Gap Yellow Green Chip	570	6.45	15
	DEL BD1-B31UG-A14	DEL BD1-B31UG-C14	AllnGaP/GaAs Yellow Green Chip	570	6.3	36
	DEL BD1-B31HY-A14	DEL BD1-B31HY-C14	GaAsP/GaP Yellow Chip	590	6.3	7.5
	DEL BD1-B31UY-A14	DEL BD1-B31UY-C14	AlGaInP/GaAs Yellow Chip	590	6.15	26
	DEL BD1-B31YO-A14	DEL BD1-B31YO-C14	AlGaInP/GaAs Orange Chip	605	6.15	26
	DEL BD1-B31HO-A14	DEL BD1-B31HO-C14	GaAsP/GaP Orange Chip	625	6	7.5
	DEL BD1-B31UR-A14	DEL BD1-B31UR-C14	AlGaInP/GaAs Red Chip	630	5.85	18
	DEL BD1-B31SR-A14	DEL BD1-B31SR-C14	AlGaAs/GaAs Red Chip	643	5.55	13

SD-51 DEL BD1-B3xxx-xx4



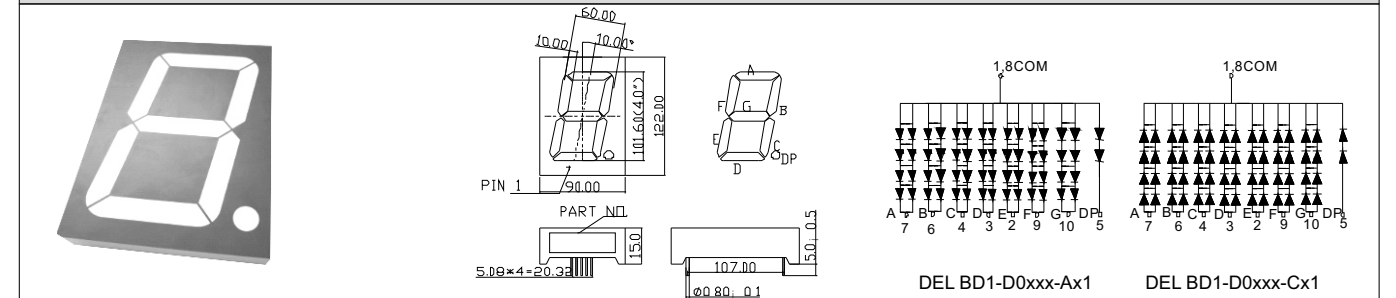
3.0"	DEL BD1-C01UB-A11	DEL BD1-C01UB-C11	InGaN/SiC Blue Chip	465	16	26
	DEL BD1-C01TB-A11	DEL BD1-C01TB-C11	InGaN/Al2O3 Blue Chip	465	16	30
	DEL BD1-C01PG-A11	DEL BD1-C01PG-C11	InGaN/SiC Pure Green Chip	525	16	22
	DEL BD1-C01GU-A11	DEL BD1-C01GU-C11	Gap/Gap Yellow Green Chip	570	10.75	15
	DEL BD1-C01UG-A11	DEL BD1-C01UG-C11	AllnGaP/GaAs Yellow Green Chip	570	10.5	36
	DEL BD1-C01HY-A11	DEL BD1-C01HY-C11	GaAsP/GaP Yellow Chip	590	10.5	7.5
	DEL BD1-C01UY-A11	DEL BD1-C01UY-C11	AlGaInP/GaAs Yellow Chip	590	10.25	26
	DEL BD1-C01YO-A11	DEL BD1-C01YO-C11	AlGaInP/GaAs Orange Chip	605	10.25	26
	DEL BD1-C01HO-A11	DEL BD1-C01HO-C11	GaAsP/GaP Orange Chip	625	10	7.5
	DEL BD1-C01UR-A11	DEL BD1-C01UR-C11	AlGaInP/GaAs Red Chip	630	9.75	20
	DEL BD1-C01SR-A11	DEL BD1-C01SR-C11	AlGaAs/GaAs Red Chip	643	9.25	18

SD-52 DEL BD1-C0xxx-xx1



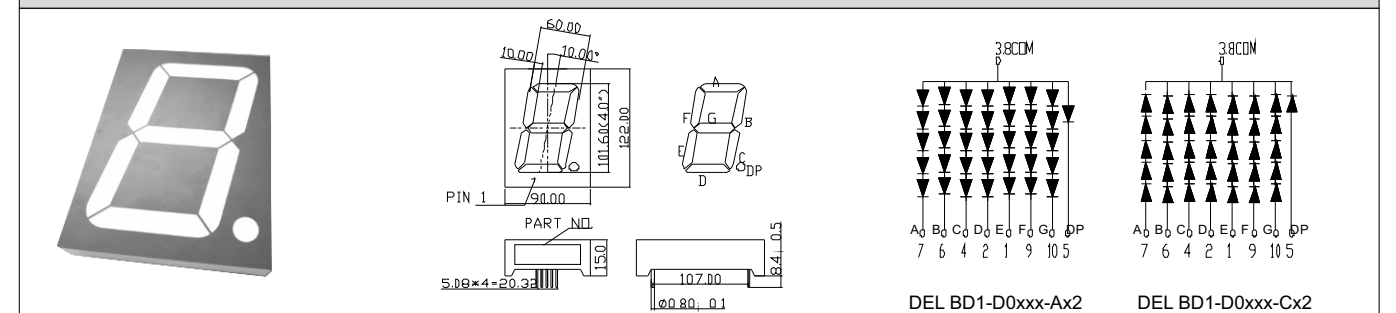
Digit Size	Part No.		Chip		Electro-optical Data (At 10mA)	
	Common Anode	Common Cathode	Material/Emitted Color	Wave Length λ (nm)	VF (V) Typ.	Iv.Typ. Per. Seg. (mcd)
4.0"	DEL BD1-D01UB-A11	DEL BD1-D01UB-C11	InGaN/SiC Blue Chip	465	16	26
	DEL BD1-D01TB-A11	DEL BD1-D01TB-C11	InGaN/Al2O3 Blue Chip	465	16	30
	DEL BD1-D01PG-A11	DEL BD1-D01PG-C11	InGaN/SiC Pure Green Chip	525	16	22
	DEL BD1-D01GU-A11	DEL BD1-D01GU-C11	Gap/Gap Yellow Green Chip	570	10.75	15
	DEL BD1-D01UG-A11	DEL BD1-D01UG-C11	AllnGaP/GaAs Yellow Green Chip	570	10.5	36
	DEL BD1-D01HY-A11	DEL BD1-D01HY-C11	GaAsP/GaP Yellow Chip	590	10.5	7.5
	DEL BD1-D01UY-A11	DEL BD1-D01UY-C11	AlGaInP/GaAs Yellow Chip	590	10.25	26
	DEL BD1-D01YO-A11	DEL BD1-D01YO-C11	AlGaInP/GaAs Orange Chip	605	10.25	26
	DEL BD1-D01HO-A11	DEL BD1-D01HO-C11	GaAsP/GaP Orange Chip	625	10	7.5
	DEL BD1-D01UR-A11	DEL BD1-D01UR-C11	AlGaInP/GaAs Red Chip	630	9.75	20
	DEL BD1-D01SR-A11	DEL BD1-D01SR-C11	AlGaAs/GaAs Red Chip	643	9.25	18

SD-53 DEL BD1-D0xxx-xx1



4.0"	DEL BD1-D01UB-A12	DEL BD1-D01UB-C12	InGaN/SiC Blue Chip	465	16	26
	DEL BD1-D01TB-A12	DEL BD1-D01TB-C12	InGaN/Al2O3 Blue Chip	465	16	30
	DEL BD1-D01PG-A12	DEL BD1-D01PG-C12	InGaN/SiC Pure Green Chip	525	16	22
	DEL BD1-D01GU-A12	DEL BD1-D01GU-C12	Gap/Gap Yellow Green Chip	570	10.75	15
	DEL BD1-D01UG-A12	DEL BD1-D01UG-C12	AllnGaP/GaAs Yellow Green Chip	570	10.5	36
	DEL BD1-D01HY-A12	DEL BD1-D01HY-C12	GaAsP/GaP Yellow Chip	590	10.5	7.5
	DEL BD1-D01UY-A12	DEL BD1-D01UY-C12	AlGaInP/GaAs Yellow Chip	590	10.25	26
	DEL BD1-D01YO-A12	DEL BD1-D01YO-C12	AlGaInP/GaAs Orange Chip	605	10.25	26
	DEL BD1-D01HO-A12	DEL BD1-D01HO-C12	GaAsP/GaP Orange Chip	625	10	7.5
	DEL BD1-D01UR-A12	DEL BD1-D01UR-C12	AlGaInP/GaAs Red Chip	630	9.75	20
	DEL BD1-D01SR-A12	DEL BD1-D01SR-C12	AlGaAs/GaAs Red Chip	643	9.25	18

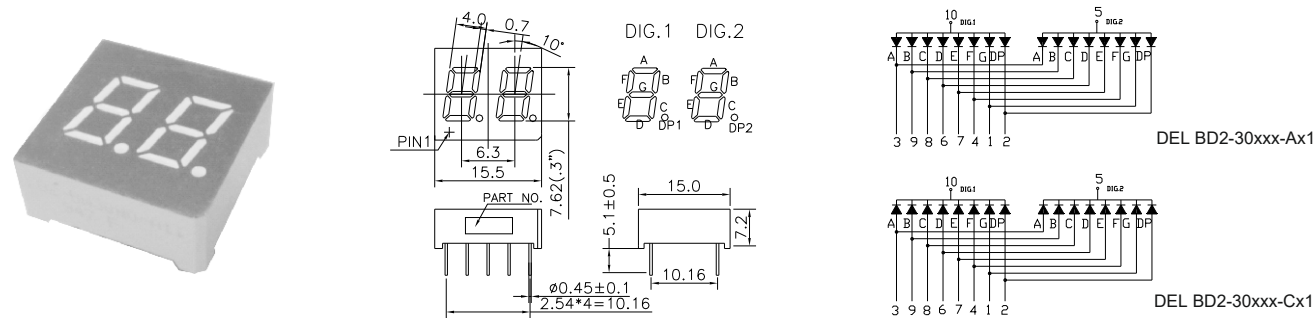
SD-54 DEL BD1-D0xxx-xx2



Note: 1. NOTE: \, All dimensions are in millimeters (inches). 2. Tolerance +/- 0.25mm
3. Specifications are subject to change without prior notice. 4. NP: No Pin 5. NC: No Connect

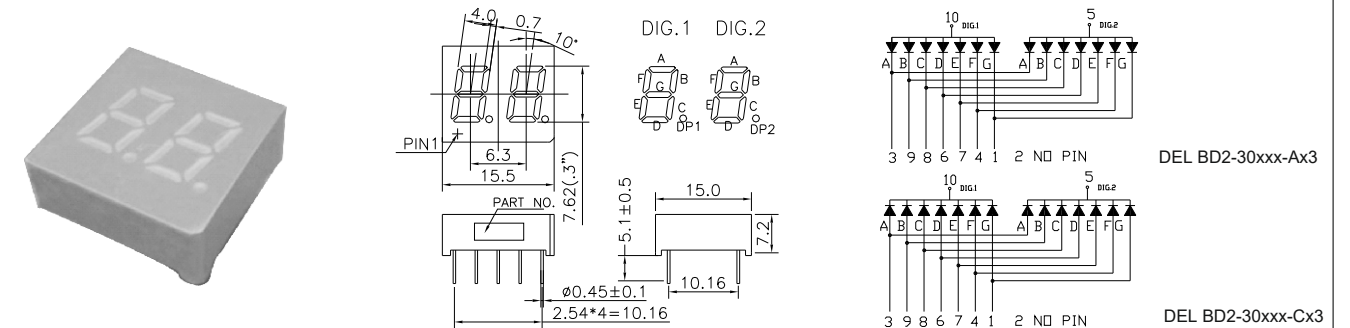
Digit Size	Part No.		Chip	Electro-optical Data (At 10mA)		
	Common Anode	Common Cathode		Material/Emitted Color	Wave Length λ d(nm)	VF (V) Typ.
0.3"	DEL BD2-301UB-A11	DEL BD2-301UB-C11	InGaN/SiC Blue Chip	465	3.2	12
	DEL BD2-301PG-A11	DEL BD2-301PG-C11	InGaN/SiC Pure Green Chip	525	3.2	18
	DEL BD2-301GU-A11	DEL BD2-301GU-C11	Gap/Gap Yellow Green Chip	570	2.15	2.5
	DEL BD2-301UG-A11	DEL BD2-301UG-C11	AllnGaP/GaAs Yellow Green Chip	570	2.1	4.5
	DEL BD2-301HY-A11	DEL BD2-301HY-C11	GaAsP/GaP Yellow Chip	590	2.1	1.5
	DEL BD2-301UY-A11	DEL BD2-301UY-C11	AlGaInP/GaAs Yellow Chip	590	2.05	15
	DEL BD2-301YO-A11	DEL BD2-301YO-C11	AlGaInP/GaAs Orange Chip	605	2.05	15
	DEL BD2-301HO-A11	DEL BD2-301HO-C11	GaAsP/GaP Orange Chip	625	2	1.5
	DEL BD2-301UR-A11	DEL BD2-301UR-C11	AlGaInP/GaAs Red Chip	630	1.95	10
	DEL BD2-301SR-A11	DEL BD2-301SR-C11	AlGaAs/GaAs Red Chip	643	1.85	1.5

DD-01 DEL BD2-30xxx-xx1



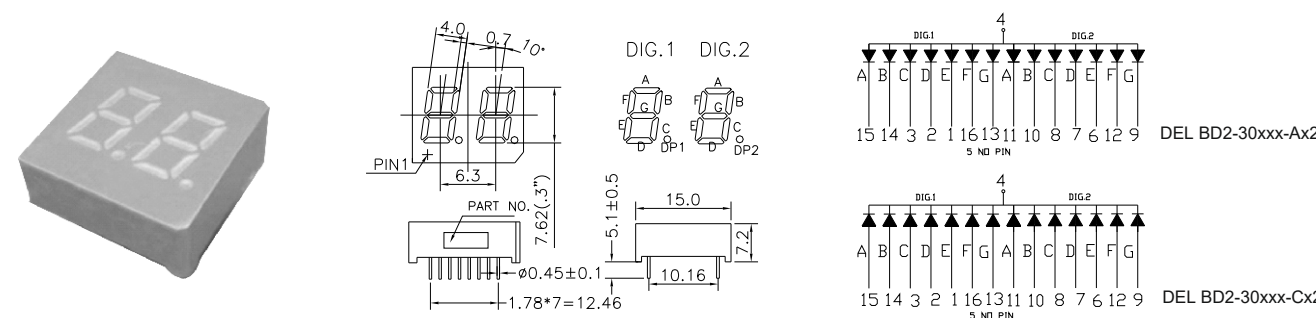
Digit Size	Part No.		Chip	Electro-optical Data (At 10mA)		
	Common Anode	Common Cathode		Material/Emitted Color	Wave Length λ d(nm)	VF (V) Typ.
0.3"	DEL BD2-301UB-A13	DEL BD2-301UB-C13	InGaN/SiC Blue Chip	465	3.2	12
	DEL BD2-301PG-A13	DEL BD2-301PG-C13	InGaN/SiC Pure Green Chip	525	3.2	18
	DEL BD2-301GU-A13	DEL BD2-301GU-C13	Gap/Gap Yellow Green Chip	570	2.15	2.5
	DEL BD2-301UG-A13	DEL BD2-301UG-C13	AllnGaP/GaAs Yellow Green Chip	570	2.1	4.5
	DEL BD2-301HY-A13	DEL BD2-301HY-C13	GaAsP/GaP Yellow Chip	590	2.1	1.5
	DEL BD2-301UY-A13	DEL BD2-301UY-C13	AlGaInP/GaAs Yellow Chip	590	2.05	15
	DEL BD2-301YO-A13	DEL BD2-301YO-C13	AlGaInP/GaAs Orange Chip	605	2.05	15
	DEL BD2-301HO-A13	DEL BD2-301HO-C13	GaAsP/GaP Orange Chip	625	2	1.5
	DEL BD2-301UR-A13	DEL BD2-301UR-C13	AlGaInP/GaAs Red Chip	630	1.95	10
	DEL BD2-301SR-A13	DEL BD2-301SR-C13	AlGaAs/GaAs Red Chip	643	1.85	1.5

DD-03 DEL BD2-30xxx-xx3



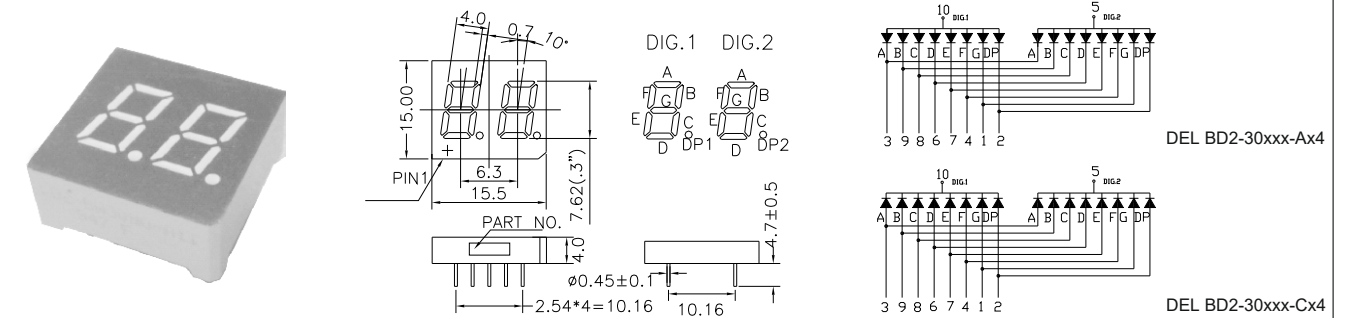
0.3"	DEL BD2-301UB-A12	DEL BD2-301UB-C12	InGaN/SiC Blue Chip	465	3.2	12
	DEL BD2-301PG-A12	DEL BD2-301PG-C12	InGaN/SiC Pure Green Chip	525	3.2	18
	DEL BD2-301GU-A12	DEL BD2-301GU-C12	Gap/Gap Yellow Green Chip	570	2.15	2.5
	DEL BD2-301UG-A12	DEL BD2-301UG-C12	AllnGaP/GaAs Yellow Green Chip	570	2.1	4.5
	DEL BD2-301HY-A12	DEL BD2-301HY-C12	GaAsP/GaP Yellow Chip	590	2.1	1.5
	DEL BD2-301UY-A12	DEL BD2-301UY-C12	AlGaInP/GaAs Yellow Chip	590	2.05	15
	DEL BD2-301YO-A12	DEL BD2-301YO-C12	AlGaInP/GaAs Orange Chip	605	2.05	15
	DEL BD2-301HO-A12	DEL BD2-301HO-C12	GaAsP/GaP Orange Chip	625	2	1.5
	DEL BD2-301UR-A12	DEL BD2-301UR-C12	AlGaInP/GaAs Red Chip	630	1.95	10
	DEL BD2-301SR-A12	DEL BD2-301SR-C12	AlGaAs/GaAs Red Chip	643	1.85	1.5

DD-02 DEL BD2-30xxx-xx2



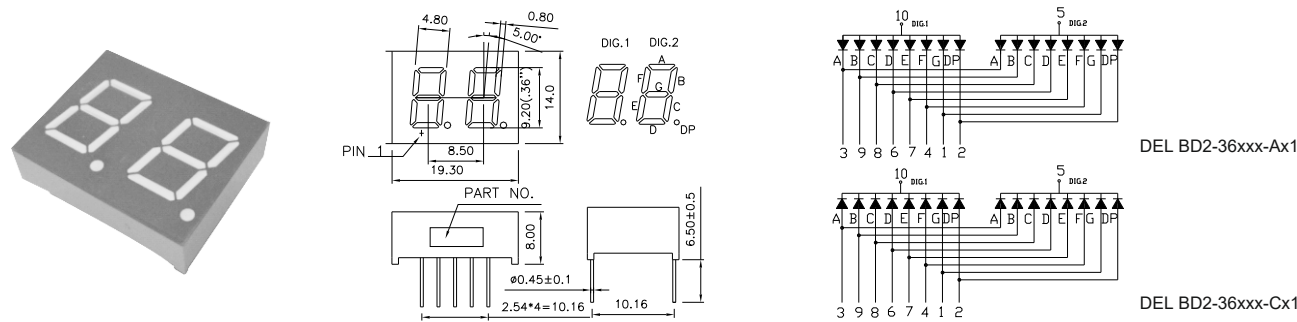
0.3"	DEL BD2-301UB-A14	DEL BD2-301UB-C14	InGaN/SiC Blue Chip	465	3.2	12
	DEL BD2-301PG-A14	DEL BD2-301PG-C14	InGaN/SiC Pure Green Chip	525	3.2	18
	DEL BD2-301GU-A14	DEL BD2-301GU-C14	Gap/Gap Yellow Green Chip	570	2.15	2.5
	DEL BD2-301UG-A14	DEL BD2-301UG-C14	AllnGaP/GaAs Yellow Green Chip	570	2.1	4.5
	DEL BD2-301HY-A14	DEL BD2-301HY-C14	GaAsP/GaP Yellow Chip	590	2.1	1.5
	DEL BD2-301UY-A14	DEL BD2-301UY-C14	AlGaInP/GaAs Yellow Chip	590	2.05	15
	DEL BD2-301YO-A14	DEL BD2-301YO-C14	AlGaInP/GaAs Orange Chip	605	2.05	15
	DEL BD2-301HO-A14	DEL BD2-301HO-C14	GaAsP/GaP Orange Chip	625	2	1.5
	DEL BD2-301UR-A14	DEL BD2-301UR-C14	AlGaInP/GaAs Red Chip	630	1.95	10
	DEL BD2-301SR-A14	DEL BD2-301SR-C14	AlGaAs/GaAs Red Chip	643	1.85	1.5

DD-04 DEL BD2-30xxx-xx4



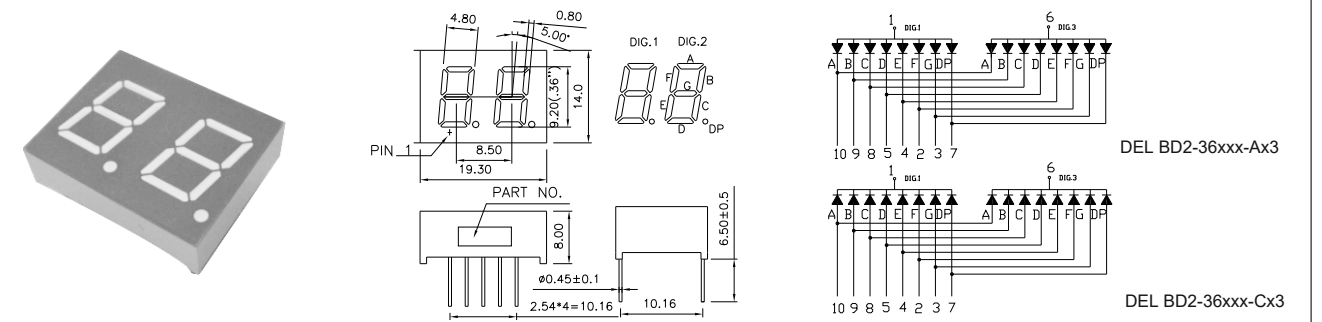
Digit Size	Part No.		Chip	Electro-optical Data (At 10mA)		
	Common Anode	Common Cathode			Material/Emitted Color	Wave Length λ d(nm)
0.36"	DEL BD2-361UB-A11	DEL BD2-361UB-C11	InGaN/SiC Blue Chip	465	3.2	12
	DEL BD2-361PG-A11	DEL BD2-361PG-C11	InGaN/SiC Pure Green Chip	525	3.2	18
	DEL BD2-361GU-A11	DEL BD2-361GU-C11	Gap/Gap Yellow Green Chip	570	2.15	2.5
	DEL BD2-361UG-A11	DEL BD2-361UG-C11	AllnGaP/GaAs Yellow Green Chip	570	2.1	4.5
	DEL BD2-361HY-A11	DEL BD2-361HY-C11	GaAsP/GaP Yellow Chip	590	2.1	1.5
	DEL BD2-361UY-A11	DEL BD2-361UY-C11	AlGaInP/GaAs Yellow Chip	590	2.05	15
	DEL BD2-361YO-A11	DEL BD2-361YO-C11	AlGaInP/GaAs Orange Chip	605	2.05	15
	DEL BD2-361HO-A11	DEL BD2-361HO-C11	GaAsP/GaP Orange Chip	625	2	1.5
	DEL BD2-361UR-A11	DEL BD2-361UR-C11	AlGaInP/GaAs Red Chip	630	1.95	10
	DEL BD2-361SR-A11	DEL BD2-361SR-C11	AlGaAs/GaAs Red Chip	643	1.85	1.5

DD-05 DEL BD2-36xxx-xx1



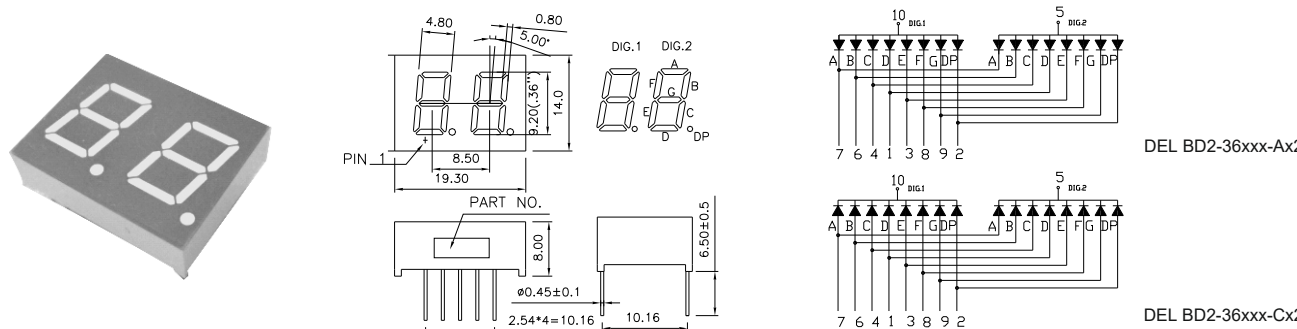
Digit Size	Part No.		Chip	Electro-optical Data (At 10mA)		
	Common Anode	Common Cathode			Material/Emitted Color	Wave Length λ d(nm)
0.36"	DEL BD2-361UB-A13	DEL BD2-361UB-C13	InGaN/SiC Blue Chip	465	3.2	12
	DEL BD2-361PG-A13	DEL BD2-361PG-C13	InGaN/SiC Pure Green Chip	525	3.2	18
	DEL BD2-361GU-A13	DEL BD2-361GU-C13	Gap/Gap Yellow Green Chip	570	2.15	2.5
	DEL BD2-361UG-A13	DEL BD2-361UG-C13	AllnGaP/GaAs Yellow Green Chip	570	2.1	4.5
	DEL BD2-361HY-A13	DEL BD2-361HY-C13	GaAsP/GaP Yellow Chip	590	2.1	1.5
	DEL BD2-361UY-A13	DEL BD2-361UY-C13	AlGaInP/GaAs Yellow Chip	590	2.05	15
	DEL BD2-361YO-A13	DEL BD2-361YO-C13	AlGaInP/GaAs Orange Chip	605	2.05	15
	DEL BD2-361HO-A13	DEL BD2-361HO-C13	GaAsP/GaP Orange Chip	625	2	1.5
	DEL BD2-361UR-A13	DEL BD2-361UR-C13	AlGaInP/GaAs Red Chip	630	1.95	10
	DEL BD2-361SR-A13	DEL BD2-361SR-C13	AlGaAs/GaAs Red Chip	643	1.85	1.5

DD-07 DEL BD2-36xxx-xx3



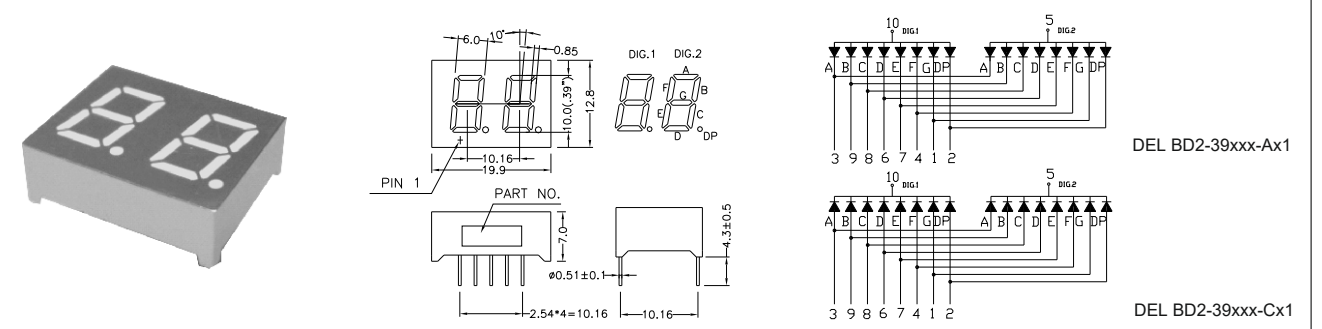
Digit Size	Part No.		Chip	Electro-optical Data (At 10mA)		
	Common Anode	Common Cathode			Material/Emitted Color	Wave Length λ d(nm)
0.36"	DEL BD2-361UB-A12	DEL BD2-361UB-C12	InGaN/SiC Blue Chip	465	3.2	12
	DEL BD2-361PG-A12	DEL BD2-361PG-C12	InGaN/SiC Pure Green Chip	525	3.2	18
	DEL BD2-361GU-A12	DEL BD2-361GU-C12	Gap/Gap Yellow Green Chip	570	2.15	2.5
	DEL BD2-361UG-A12	DEL BD2-361UG-C12	AllnGaP/GaAs Yellow Green Chip	570	2.1	4.5
	DEL BD2-361HY-A12	DEL BD2-361HY-C12	GaAsP/GaP Yellow Chip	590	2.1	1.5
	DEL BD2-361UY-A12	DEL BD2-361UY-C12	AlGaInP/GaAs Yellow Chip	590	2.05	15
	DEL BD2-361YO-A12	DEL BD2-361YO-C12	AlGaInP/GaAs Orange Chip	605	2.05	15
	DEL BD2-361HO-A12	DEL BD2-361HO-C12	GaAsP/GaP Orange Chip	625	2	1.5
	DEL BD2-361UR-A12	DEL BD2-361UR-C12	AlGaInP/GaAs Red Chip	630	1.95	10
	DEL BD2-361SR-A12	DEL BD2-361SR-C12	AlGaAs/GaAs Red Chip	643	1.85	1.5

DD-06 DEL BD2-36xxx-xx2



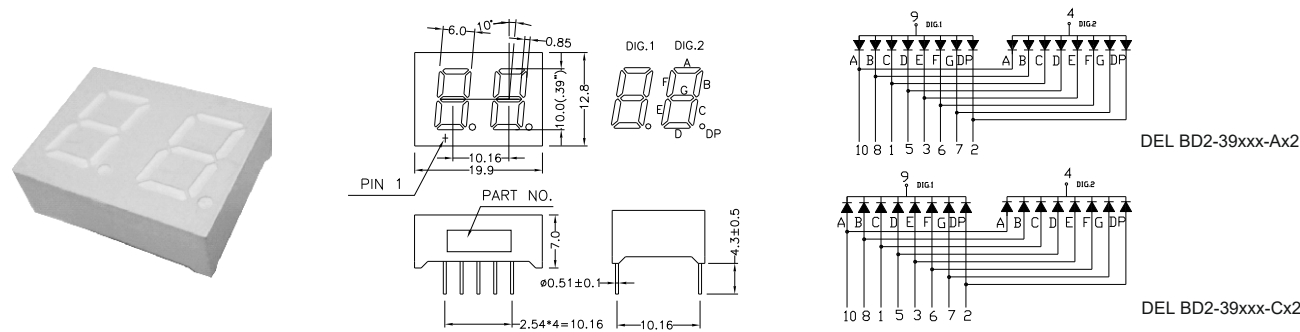
Digit Size	Part No.		Chip	Electro-optical Data (At 10mA)		
	Common Anode	Common Cathode			Material/Emitted Color	Wave Length λ d(nm)
0.39"	DEL BD2-391UB-A11	DEL BD2-391UB-C11	InGaN/SiC Blue Chip	465	3.2	12
	DEL BD2-391PG-A11	DEL BD2-391PG-C11	InGaN/SiC Pure Green Chip	525	3.2	18
	DEL BD2-391GU-A11	DEL BD2-391GU-C11	Gap/Gap Yellow Green Chip	570	2.15	2.5
	DEL BD2-391UG-A11	DEL BD2-391UG-C11	AllnGaP/GaAs Yellow Green Chip	570	2.1	4.5
	DEL BD2-391HY-A11	DEL BD2-391HY-C11	GaAsP/GaP Yellow Chip	590	2.1	1.5
	DEL BD2-391UY-A11	DEL BD2-391UY-C11	AlGaInP/GaAs Yellow Chip	590	2.05	15
	DEL BD2-391YO-A11	DEL BD2-391YO-C11	AlGaInP/GaAs Orange Chip	605	2.05	15
	DEL BD2-391HO-A11	DEL BD2-391HO-C11	GaAsP/GaP Orange Chip	625	2	1.5
	DEL BD2-391UR-A11	DEL BD2-391UR-C11	AlGaInP/GaAs Red Chip	630	1.95	10
	DEL BD2-391SR-A11	DEL BD2-391SR-C11	AlGaAs/GaAs Red Chip	643	1.85	1.5

DD-08 DEL BD2-39xxx-xx1



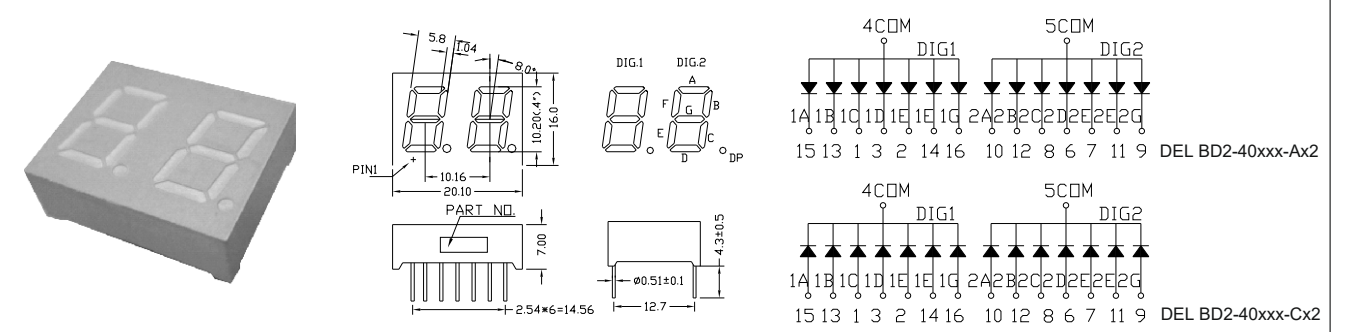
Digit Size	Part No.		Chip	Electro-optical Data (At 10mA)
	Common Anode	Common Cathode		
0.39"	DEL BD2-391UB-A12	DEL BD2-391UB-C12	InGaN/SiC Blue Chip	465 3.2 12
	DEL BD2-391PG-A12	DEL BD2-391PG-C12	InGaN/SiC Pure Green Chip	525 3.2 18
	DEL BD2-391GU-A12	DEL BD2-391GU-C12	Gap/Gap Yellow Green Chip	570 2.15 2.5
	DEL BD2-391UG-A12	DEL BD2-391UG-C12	AllnGaP/GaAs Yellow Green Chip	570 2.1 4.5
	DEL BD2-391HY-A12	DEL BD2-391HY-C12	GaAsP/GaP Yellow Chip	590 2.1 1.5
	DEL BD2-391UY-A12	DEL BD2-391UY-C12	AlGaInP/GaAs Yellow Chip	590 2.05 15
	DEL BD2-391YO-A12	DEL BD2-391YO-C12	AlGaInP/GaAs Orange Chip	605 2.05 15
	DEL BD2-391HO-A12	DEL BD2-391HO-C12	GaAsP/GaP Orange Chip	625 2 1.5
	DEL BD2-391UR-A12	DEL BD2-391UR-C12	AlGaInP/GaAs Red Chip	630 1.95 10
	DEL BD2-391SR-A12	DEL BD2-391SR-C12	AlGaAs/GaAs Red Chip	643 1.85 1.5

DD-09 DEL BD2-39xxx-xx2



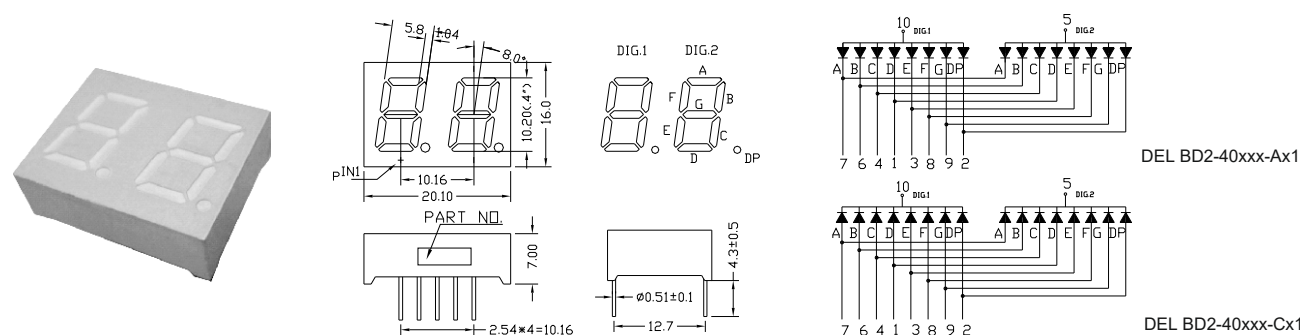
Digit Size	Part No.		Chip	Electro-optical Data (At 10mA)
	Common Anode	Common Cathode		
0.40"	DEL BD2-401UB-A12	DEL BD2-401UB-C12	InGaN/SiC Blue Chip	465 3.2 12
	DEL BD2-401PG-A12	DEL BD2-401PG-C12	InGaN/SiC Pure Green Chip	525 3.2 18
	DEL BD2-401GU-A12	DEL BD2-401GU-C12	Gap/Gap Yellow Green Chip	570 2.15 2.5
	DEL BD2-401UG-A12	DEL BD2-401UG-C12	AllnGaP/GaAs Yellow Green Chip	570 2.1 4.5
	DEL BD2-401HY-A12	DEL BD2-401HY-C12	GaAsP/GaP Yellow Chip	590 2.1 1.5
	DEL BD2-401UY-A12	DEL BD2-401UY-C12	AlGaInP/GaAs Yellow Chip	590 2.05 15
	DEL BD2-401YO-A12	DEL BD2-401YO-C12	AlGaInP/GaAs Orange Chip	605 2.05 15
	DEL BD2-401HO-A12	DEL BD2-401HO-C12	GaAsP/GaP Orange Chip	625 2 1.5
	DEL BD2-401UR-A12	DEL BD2-401UR-C12	AlGaInP/GaAs Red Chip	630 1.95 10
	DEL BD2-401SR-A12	DEL BD2-401SR-C12	AlGaAs/GaAs Red Chip	643 1.85 1.5

DD-11 DEL BD2-40xxx-xx2



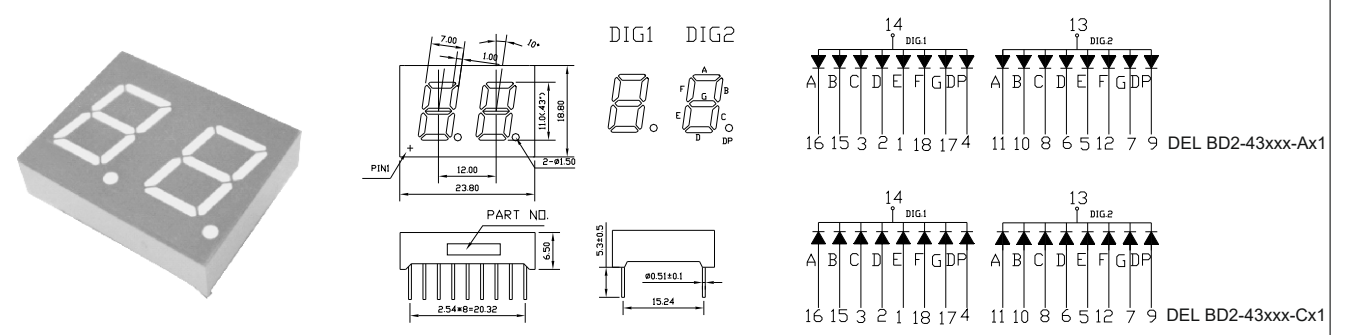
0.4"	DEL BD2-401UB-A11	DEL BD2-401UB-C11	InGaN/SiC Blue Chip	465 3.2 12
	DEL BD2-401PG-A11	DEL BD2-401PG-C11	InGaN/SiC Pure Green Chip	525 3.2 18
	DEL BD2-401GU-A11	DEL BD2-401GU-C11	Gap/Gap Yellow Green Chip	570 2.15 2.5
	DEL BD2-401UG-A11	DEL BD2-401UG-C11	AllnGaP/GaAs Yellow Green Chip	570 2.1 4.5
	DEL BD2-401HY-A11	DEL BD2-401HY-C11	GaAsP/GaP Yellow Chip	590 2.1 1.5
	DEL BD2-401UY-A11	DEL BD2-401UY-C11	AlGaInP/GaAs Yellow Chip	590 2.05 15
	DEL BD2-401YO-A11	DEL BD2-401YO-C11	AlGaInP/GaAs Orange Chip	605 2.05 15
	DEL BD2-401HO-A11	DEL BD2-401HO-C11	GaAsP/GaP Orange Chip	625 2 1.5
	DEL BD2-401UR-A11	DEL BD2-401UR-C11	AlGaInP/GaAs Red Chip	630 1.95 10
	DEL BD2-401SR-A11	DEL BD2-401SR-C11	AlGaAs/GaAs Red Chip	643 1.85 1.5

DD-10 DEL BD2-40xxx-xx1



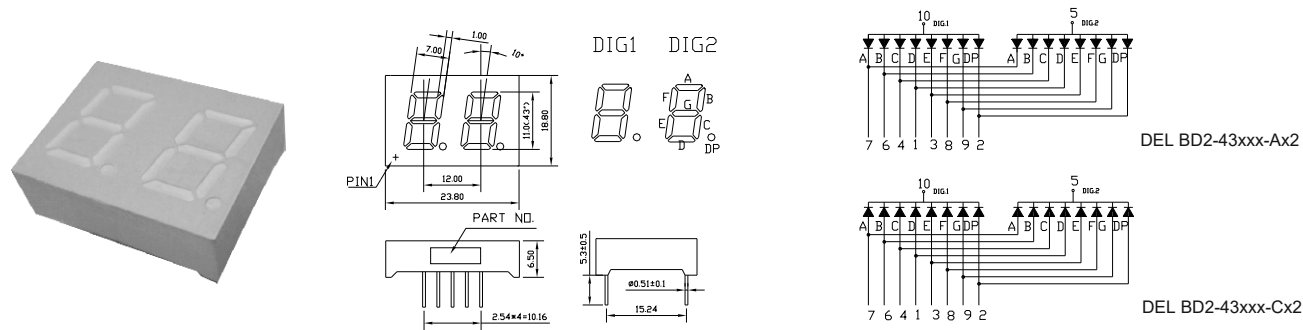
0.43"	DEL BD2-431UB-A11	DEL BD2-431UB-C11	InGaN/SiC Blue Chip	465 3.2 12
	DEL BD2-431PG-A11	DEL BD2-431PG-C11	InGaN/SiC Pure Green Chip	525 3.2 18
	DEL BD2-431GU-A11	DEL BD2-431GU-C11	Gap/Gap Yellow Green Chip	570 2.15 2.5
	DEL BD2-431UG-A11	DEL BD2-431UG-C11	AllnGaP/GaAs Yellow Green Chip	570 2.1 4.5
	DEL BD2-431HY-A11	DEL BD2-431HY-C11	GaAsP/GaP Yellow Chip	590 2.1 1.5
	DEL BD2-431UY-A11	DEL BD2-431UY-C11	AlGaInP/GaAs Yellow Chip	590 2.05 15
	DEL BD2-431YO-A11	DEL BD2-431YO-C11	AlGaInP/GaAs Orange Chip	605 2.05 15
	DEL BD2-431HO-A11	DEL BD2-431HO-C11	GaAsP/GaP Orange Chip	625 2 1.5
	DEL BD2-431UR-A11	DEL BD2-431UR-C11	AlGaInP/GaAs Red Chip	630 1.95 10
	DEL BD2-431SR-A11	DEL BD2-431SR-C11	AlGaAs/GaAs Red Chip	643 1.85 1.5

DD-12 DEL BD2-43xxx-xx1



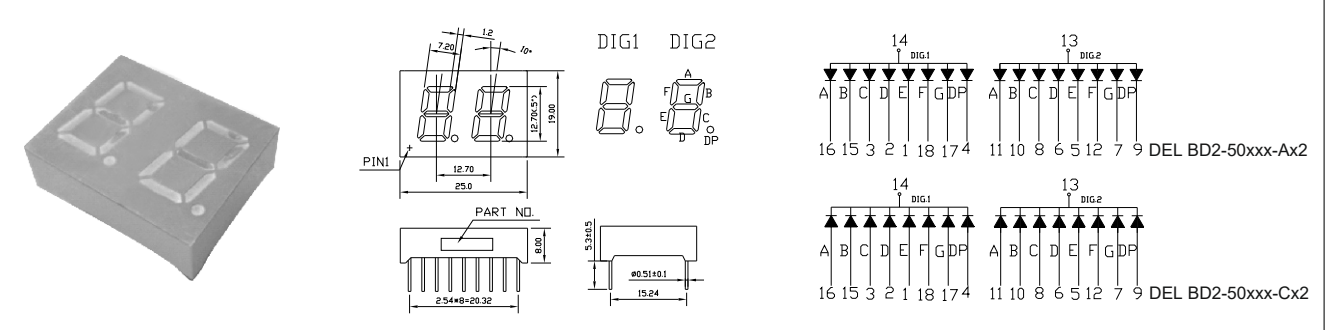
Digit Size	Part No.		Chip	Electro-optical Data (At 10mA)		
	Common Anode	Common Cathode		Material/Emitted Color	Wave Length λ d(nm)	VF (V) Typ.
0.43"	DEL BD2-431UB-A12	DEL BD2-431UB-C12	InGaN/SiC Blue Chip	465	3.2	12
	DEL BD2-431PG-A12	DEL BD2-431PG-C12	InGaN/SiC Pure Green Chip	525	3.2	18
	DEL BD2-431GU-A12	DEL BD2-431GU-C12	Gap/Gap Yellow Green Chip	570	2.15	2.5
	DEL BD2-431UG-A12	DEL BD2-431UG-C12	AllnGaP/GaAs Yellow Green Chip	570	2.1	4.5
	DEL BD2-431HY-A12	DEL BD2-431HY-C12	GaAsP/GaP Yellow Chip	590	2.1	1.5
	DEL BD2-431UY-A12	DEL BD2-431UY-C12	AlGaInP/GaAs Yellow Chip	590	2.05	15
	DEL BD2-431YO-A12	DEL BD2-431YO-C12	AlGaInP/GaAs Orange Chip	605	2.05	15
	DEL BD2-431HO-A12	DEL BD2-431HO-C12	GaAsP/GaP Orange Chip	625	2	1.5
	DEL BD2-431UR-A12	DEL BD2-431UR-C12	AlGaInP/GaAs Red Chip	630	1.95	10
	DEL BD2-431SR-A12	DEL BD2-431SR-C12	AlGaAs/GaAs Red Chip	643	1.85	1.5

DD-13 DEL BD2-43xxx-xx2



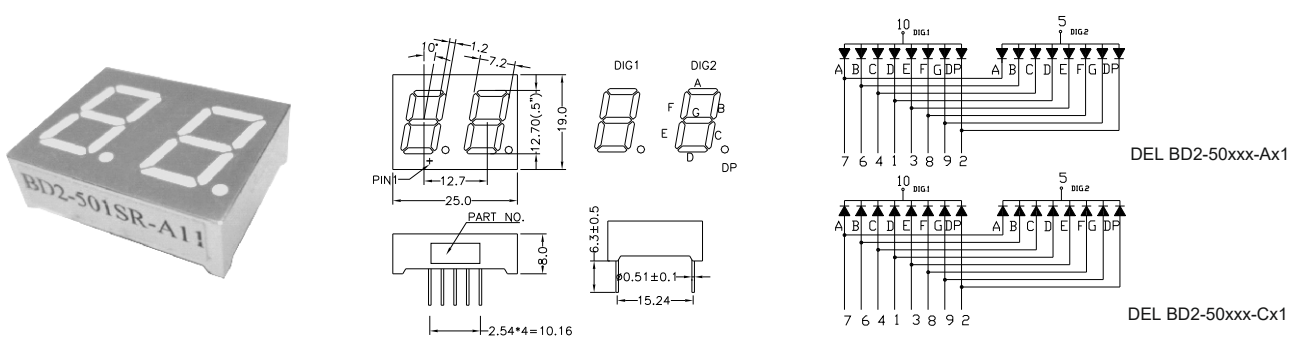
Digit Size	Part No.		Chip	Electro-optical Data (At 10mA)		
	Common Anode	Common Cathode		Material/Emitted Color	Wave Length λ d(nm)	VF (V) Typ.
0.50"	DEL BD2-501UB-A12	DEL BD2-501UB-C12	InGaN/SiC Blue Chip	465	3.2	12
	DEL BD2-501PG-A12	DEL BD2-501PG-C12	InGaN/SiC Pure Green Chip	525	3.2	18
	DEL BD2-501GU-A12	DEL BD2-501GU-C12	Gap/Gap Yellow Green Chip	570	2.15	2.5
	DEL BD2-501UG-A12	DEL BD2-501UG-C12	AllnGaP/GaAs Yellow Green Chip	570	2.1	4.5
	DEL BD2-501HY-A12	DEL BD2-501HY-C12	GaAsP/GaP Yellow Chip	590	2.1	1.5
	DEL BD2-501UY-A12	DEL BD2-501UY-C12	AlGaInP/GaAs Yellow Chip	590	2.05	15
	DEL BD2-501YO-A12	DEL BD2-501YO-C12	AlGaInP/GaAs Orange Chip	605	2.05	15
	DEL BD2-501HO-A12	DEL BD2-501HO-C12	GaAsP/GaP Orange Chip	625	2	1.5
	DEL BD2-501UR-A12	DEL BD2-501UR-C12	AlGaInP/GaAs Red Chip	630	1.95	10
	DEL BD2-501SR-A12	DEL BD2-501SR-C12	AlGaAs/GaAs Red Chip	643	1.85	1.5

DD-15 DEL BD2-50xxx-xx2



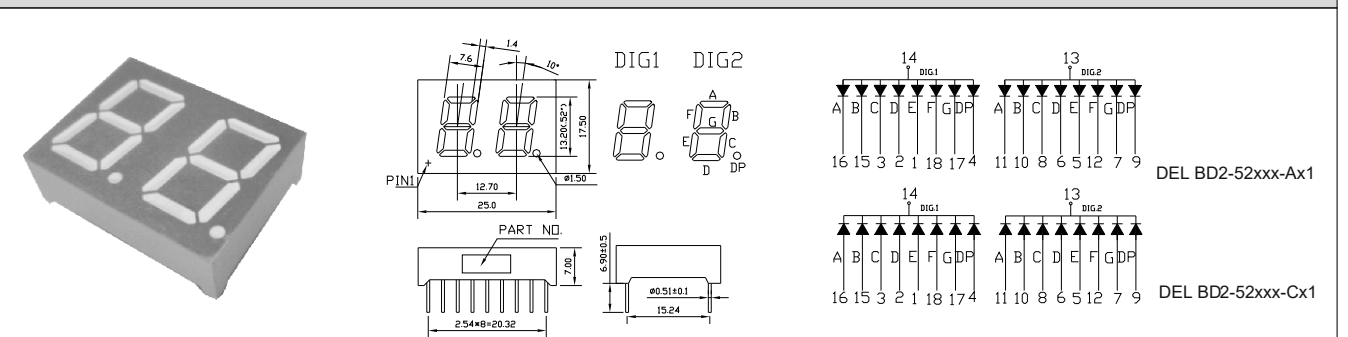
Digit Size	Part No.		Chip	Electro-optical Data (At 10mA)		
	Common Anode	Common Cathode		Material/Emitted Color	Wave Length λ d(nm)	VF (V) Typ.
0.50"	DEL BD2-501UB-A11	DEL BD2-501UB-C11	InGaN/SiC Blue Chip	465	3.2	12
	DEL BD2-501PG-A11	DEL BD2-501PG-C11	InGaN/SiC Pure Green Chip	525	3.2	18
	DEL BD2-501GU-A11	DEL BD2-501GU-C11	Gap/Gap Yellow Green Chip	570	2.15	2.5
	DEL BD2-501UG-A11	DEL BD2-501UG-C11	AllnGaP/GaAs Yellow Green Chip	570	2.1	4.5
	DEL BD2-501HY-A11	DEL BD2-501HY-C11	GaAsP/GaP Yellow Chip	590	2.1	1.5
	DEL BD2-501UY-A11	DEL BD2-501UY-C11	AlGaInP/GaAs Yellow Chip	590	2.05	15
	DEL BD2-501YO-A11	DEL BD2-501YO-C11	AlGaInP/GaAs Orange Chip	605	2.05	15
	DEL BD2-501HO-A11	DEL BD2-501HO-C11	GaAsP/GaP Orange Chip	625	2	1.5
	DEL BD2-501UR-A11	DEL BD2-501UR-C11	AlGaInP/GaAs Red Chip	630	1.95	10
	DEL BD2-501SR-A11	DEL BD2-501SR-C11	AlGaAs/GaAs Red Chip	643	1.85	1.5

DD-14 DEL BD2-50xxx-xx1



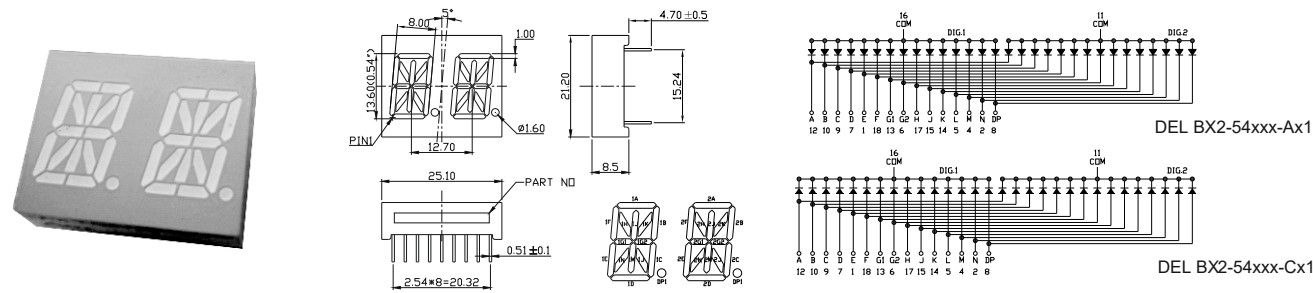
Digit Size	Part No.		Chip	Electro-optical Data (At 10mA)		
	Common Anode	Common Cathode		Material/Emitted Color	Wave Length λ d(nm)	VF (V) Typ.
0.52"	DEL BD2-521UB-A11	DEL BD2-521UB-C11	InGaN/SiC Blue Chip	465	3.2	15
	DEL BD2-521TB-A11	DEL BD2-521TB-C11	InGzN/Al2O3 Blue Chip	465	3.1	18
	DEL BD2-521PG-A11	DEL BD2-521PG-C11	InGaN/SiC Pure Green Chip	525	3.2	22
	DEL BD2-521GU-A11	DEL BD2-521GU-C11	Gap/Gap Yellow Green Chip	570	2.15	5
	DEL BD2-521UG-A11	DEL BD2-521UG-C11	AlGaInP/GaAs Yellow Green Chip	570	2.1	12
	DEL BD2-521HY-A11	DEL BD2-521HY-C11	GaAsP/GaP Yellow Chip	590	2.1	3
	DEL BD2-521UY-A11	DEL BD2-521UY-C11	AlGaInP/GaAs Yellow Chip	590	2.05	20
	DEL BD2-521YO-A11	DEL BD2-521YO-C11	AlGaInP/GaAs Orange Chip	605	2.05	20
	DEL BD2-521HO-A11	DEL BD2-521HO-C11	GaAsP/GaP Orange Chip	625	2	3
	DEL BD2-521UR-A11	DEL BD2-521UR-C11	AlGaInP/GaAs Red Chip	630	1.95	15
DEL BD2-521SR-A11	DEL BD2-521SR-C11	AlGaAs/GaAs Red Chip	643	1.85	6	

DD-16 DEL BD2-52xxx-xx1



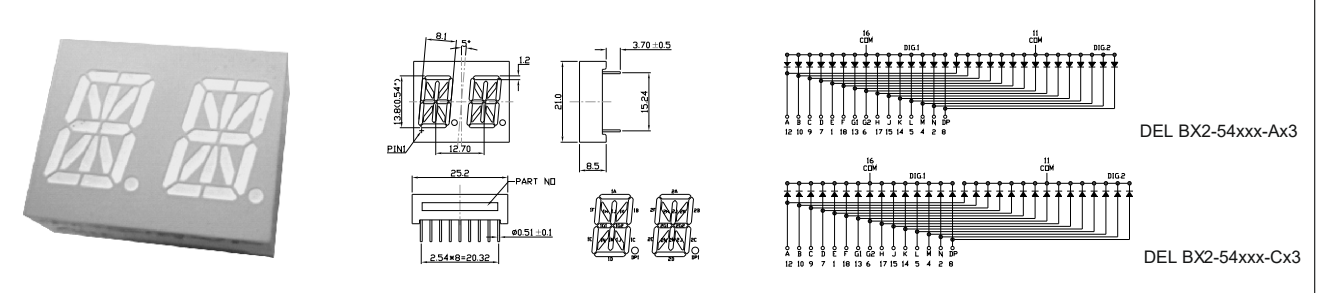
Digit Size	Part No.		Chip	Electro-optical Data (At 10mA)
	Common Anode	Common Cathode		
0.54"	DEL BX2-541UB-A11	DEL BX2-541UB-C11	InGaN/SiC Blue Chip	465 3.2 15
	DEL BX2-541TB-A11	DEL BX2-541TB-C11	InGaN/Al2O3 Blue Chip	465 3.1 18
	DEL BX2-541PG-A11	DEL BX2-541PG-C11	InGaN/SiC Pure Green Chip	525 3.2 22
	DEL BX2-541GU-A11	DEL BX2-541GU-C11	Gap/Gap Yellow Green Chip	570 2.15 5
	DEL BX2-541UG-A11	DEL BX2-541UG-C11	AlGaInP/GaAs Yellow Green Chip	570 2.1 12
	DEL BX2-541HY-A11	DEL BX2-541HY-C11	GaAsP/GaP Yellow Chip	570 2.1 3
	DEL BX2-541UY-A11	DEL BX2-541UY-C11	AlGaInP/GaAs Yellow Chip	590 2.05 20
	DEL BX2-541YO-A11	DEL BX2-541YO-C11	AlGaInP/GaAs Orange Chip	605 2.05 20
	DEL BX2-541HO-A11	DEL BX2-541HO-C11	GaAsP/GaP Orange Chip	625 2 3
	DEL BX2-541UR-A11	DEL BX2-541UR-C11	AlGaInP/GaAs Red Chip	630 1.95 15
	DEL BX2-541SR-A11	DEL BX2-541SR-C11	AlGaAs/GaAs Red Chip	643 1.85 6

DD-17 DEL BX2-54xxx-xx1



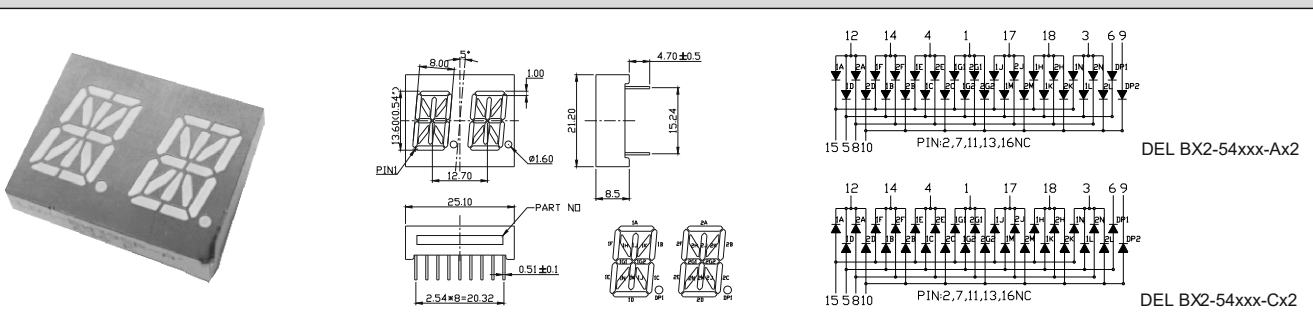
Digit Size	Part No.		Chip	Electro-optical Data (At 10mA)
	Common Anode	Common Cathode		
0.54"	DEL BX2-541UB-A13	DEL BX2-541UB-C13	InGaN/SiC Blue Chip	465 3.2 15
	DEL BX2-541TB-A13	DEL BX2-541TB-C13	InGaN/Al2O3 Blue Chip	465 3.1 18
	DEL BX2-541PG-A13	DEL BX2-541PG-C13	InGaN/SiC Pure Green Chip	525 3.2 22
	DEL BX2-541GU-A13	DEL BX2-541GU-C13	Gap/Gap Yellow Green Chip	570 2.15 5
	DEL BX2-541UG-A13	DEL BX2-541UG-C13	AlGaInP/GaAs Yellow Green Chip	570 2.1 12
	DEL BX2-541HY-A13	DEL BX2-541HY-C13	GaAsP/GaP Yellow Chip	570 2.1 3
	DEL BX2-541UY-A13	DEL BX2-541UY-C13	AlGaInP/GaAs Yellow Chip	590 2.05 20
	DEL BX2-541YO-A13	DEL BX2-541YO-C13	AlGaInP/GaAs Orange Chip	605 2.05 20
	DEL BX2-541HO-A13	DEL BX2-541HO-C13	GaAsP/GaP Orange Chip	625 2 3
	DEL BX2-541UR-A13	DEL BX2-541UR-C13	AlGaInP/GaAs Red Chip	630 1.95 15
	DEL BX2-541SR-A13	DEL BX2-541SR-C13	AlGaAs/GaAs Red Chip	643 1.85 6

DD-19 DEL BX2-54xxx-xx3



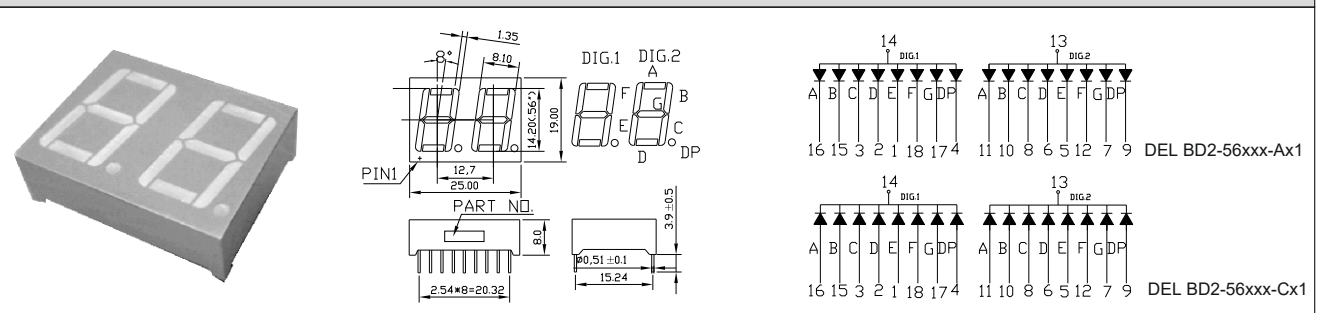
0.54"	DEL BX2-541UB-A12	DEL BX2-541UB-C12	InGaN/SiC Blue Chip	465 3.2 15
	DEL BX2-541TB-A12	DEL BX2-541TB-C12	InGaN/Al2O3 Blue Chip	465 3.1 18
	DEL BX2-541PG-A12	DEL BX2-541PG-C12	InGaN/SiC Pure Green Chip	525 3.2 22
	DEL BX2-541GU-A12	DEL BX2-541GU-C12	Gap/Gap Yellow Green Chip	570 2.15 5
	DEL BX2-541UG-A12	DEL BX2-541UG-C12	AlGaInP/GaAs Yellow Green Chip	570 2.1 12
	DEL BX2-541HY-A12	DEL BX2-541HY-C12	GaAsP/GaP Yellow Chip	570 2.1 3
	DEL BX2-541UY-A12	DEL BX2-541UY-C12	AlGaInP/GaAs Yellow Chip	590 2.05 20
	DEL BX2-541YO-A12	DEL BX2-541YO-C12	AlGaInP/GaAs Orange Chip	605 2.05 20
	DEL BX2-541HO-A12	DEL BX2-541HO-C12	GaAsP/GaP Orange Chip	625 2 3
	DEL BX2-541UR-A12	DEL BX2-541UR-C12	AlGaInP/GaAs Red Chip	630 1.95 15
	DEL BX2-541SR-A12	DEL BX2-541SR-C12	AlGaAs/GaAs Red Chip	643 1.85 6

DD-18 DEL BX2-54xxx-xx2



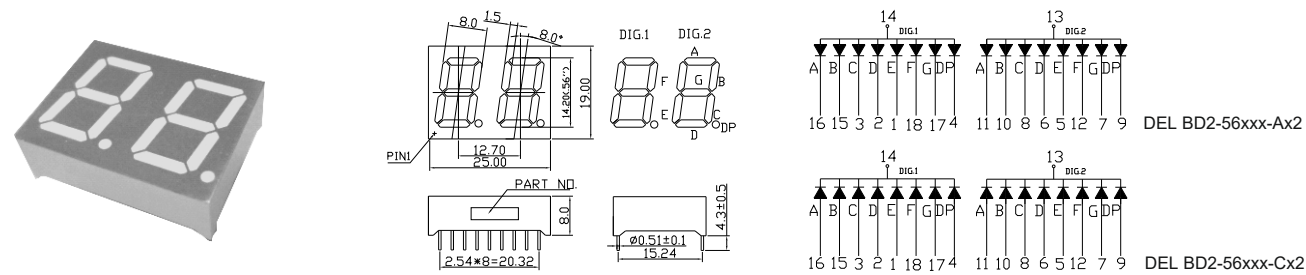
0.56"	DEL BD2-561UB-A11	DEL BD2-561UB-C11	InGaN/SiC Blue Chip	465 3.2 15
	DEL BD2-561TB-A11	DEL BD2-561TB-C11	InGaN/Al2O3 Blue Chip	465 3.1 18
	DEL BD2-561PG-A11	DEL BD2-561PG-C11	InGaN/SiC Pure Green Chip	525 3.2 22
	DEL BD2-561GU-A11	DEL BD2-561GU-C11	Gap/Gap Yellow Green Chip	570 2.15 5
	DEL BD2-561UG-A11	DEL BD2-561UG-C11	AlGaInP/GaAs Yellow Green Chip	570 2.1 12
	DEL BD2-561HY-A11	DEL BD2-561HY-C11	GaAsP/GaP Yellow Chip	570 2.1 3
	DEL BD2-561UY-A11	DEL BD2-561UY-C11	AlGaInP/GaAs Yellow Chip	590 2.05 20
	DEL BD2-561YO-A11	DEL BD2-561YO-C11	AlGaInP/GaAs Orange Chip	605 2.05 20
	DEL BD2-561HO-A11	DEL BD2-561HO-C11	GaAsP/GaP Orange Chip	625 2 3
	DEL BD2-561UR-A11	DEL BD2-561UR-C11	AlGaInP/GaAs Red Chip	630 1.95 15
	DEL BD2-561SR-A11	DEL BD2-561SR-C11	AlGaAs/GaAs Red Chip	643 1.85 6

DD-20 DEL BD2-56xxx-xx1



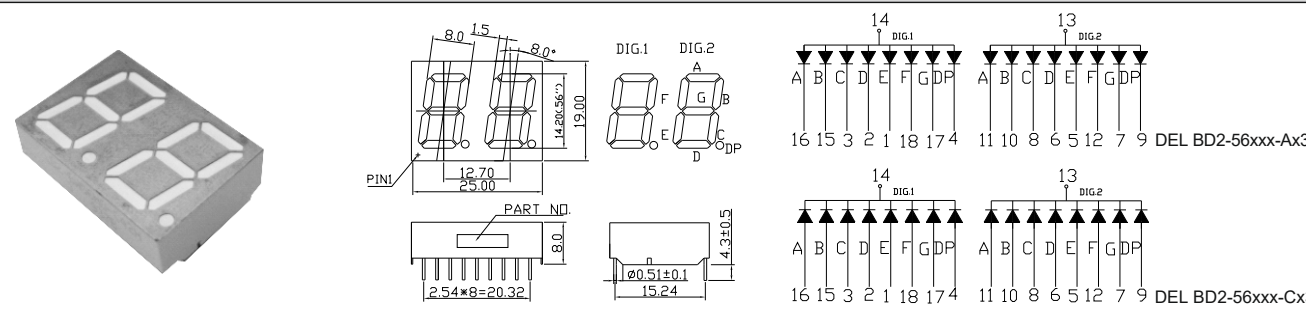
Digit Size	Part No.		Chip	Electro-optical Data (At 10mA)
	Common Anode	Common Cathode		
	Material/Emitted Color	Wave Length λ d(nm)	VF (V) Typ.	Iv. Typ. Per. Seg. (mcd)
0.56"	DEL BD2-561UB-A12	DEL BD2-561UB-C12	InGaN/SiC Blue Chip	465 3.2 15
	DEL BD2-561TB-A12	DEL BD2-561TB-C12	InGzN/Al2O3 Blue Chip	465 3.1 18
	DEL BD2-561PG-A12	DEL BD2-561PG-C12	InGaN/SiC Pure Green Chip	525 3.2 22
	DEL BD2-561GU-A12	DEL BD2-561GU-C12	Gap/Gap Yellow Green Chip	570 2.15 5
	DEL BD2-561UG-A12	DEL BD2-561UG-C12	AlGaInP/GaAs Yellow Green Chip	570 2.1 12
	DEL BD2-561HY-A12	DEL BD2-561HY-C12	GaAsP/GaP Yellow Chip	570 2.1 3
	DEL BD2-561UY-A12	DEL BD2-561UY-C12	AlGaInP/GaAs Yellow Chip	590 2.05 20
	DEL BD2-561YO-A12	DEL BD2-561YO-C12	AlGaInP/GaAs Orange Chip	605 2.05 20
	DEL BD2-561HO-A12	DEL BD2-561HO-C12	GaAsP/GaP Orange Chip	625 2 3
	DEL BD2-561UR-A12	DEL BD2-561UR-C12	AlGaInP/GaAs Red Chip	630 1.95 15
	DEL BD2-561SR-A12	DEL BD2-561SR-C12	AlGaAs/GaAs Red Chip	643 1.85 6

DD-21 DEL BD2-56xxx-xx2



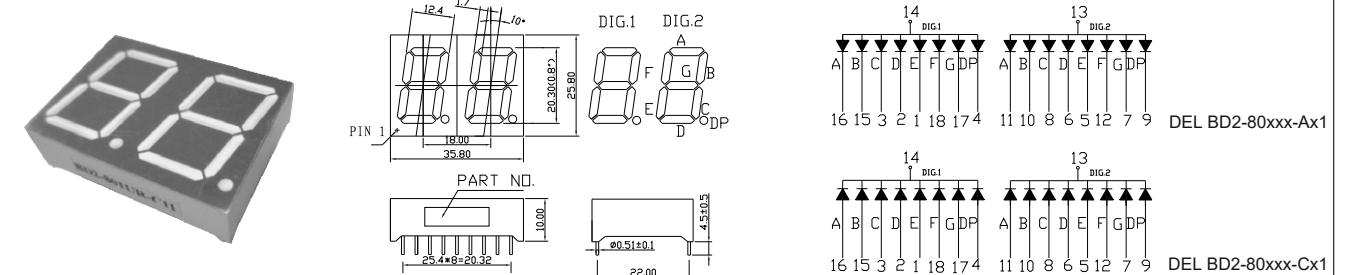
0.56"	DEL BD2-561UB-A13	DEL BD2-561UB-C13	InGaN/SiC Blue Chip	465 3.2 15
	DEL BD2-561TB-A13	DEL BD2-561TB-C13	InGzN/Al2O3 Blue Chip	465 3.1 18
	DEL BD2-561PG-A13	DEL BD2-561PG-C13	InGaN/SiC Pure Green Chip	525 3.2 22
	DEL BD2-561GU-A13	DEL BD2-561GU-C13	Gap/Gap Yellow Green Chip	570 2.15 5
	DEL BD2-561UG-A13	DEL BD2-561UG-C13	AlGaInP/GaAs Yellow Green Chip	570 2.1 12
	DEL BD2-561HY-A13	DEL BD2-561HY-C13	GaAsP/GaP Yellow Chip	570 2.1 3
	DEL BD2-561UY-A13	DEL BD2-561UY-C13	AlGaInP/GaAs Yellow Chip	590 2.05 20
	DEL BD2-561YO-A13	DEL BD2-561YO-C13	AlGaInP/GaAs Orange Chip	605 2.05 20
	DEL BD2-561HO-A13	DEL BD2-561HO-C13	GaAsP/GaP Orange Chip	625 2 3
	DEL BD2-561UR-A13	DEL BD2-561UR-C13	AlGaInP/GaAs Red Chip	630 1.95 15
	DEL BD2-561SR-A13	DEL BD2-561SR-C13	AlGaAs/GaAs Red Chip	643 1.85 6

DD-22 DEL BD2-56xxx-xx3



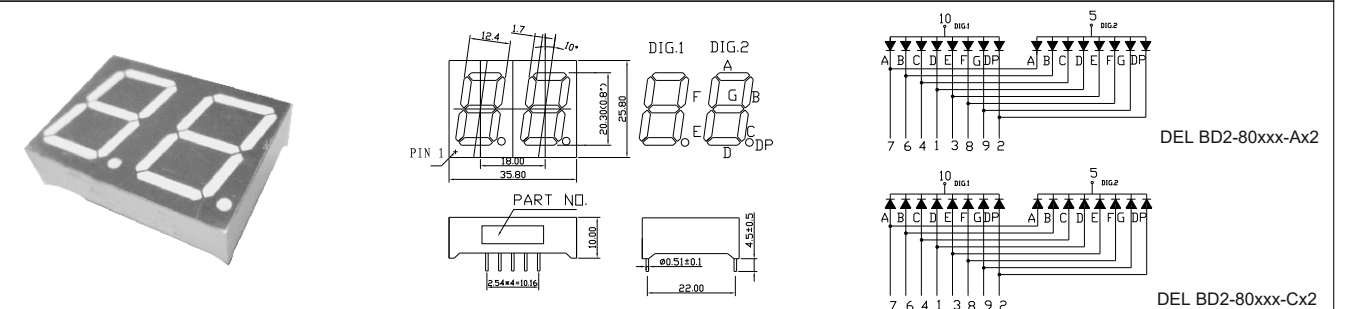
Digit Size	Part No.		Chip	Electro-optical Data (At 10mA)
	Common Anode	Common Cathode		
	Material/Emitted Color	Wave Length λ d(nm)	VF (V) Typ.	Iv. Typ. Per. Seg. (mcd)
0.80"	DEL BD2-801UB-A11	DEL BD2-801UB-C11	InGaN/SiC Blue Chip	465 3.2 15
	DEL BD2-801TB-A11	DEL BD2-801TB-C11	InGzN/Al2O3 Blue Chip	465 3.1 18
	DEL BD2-801PG-A11	DEL BD2-801PG-C11	InGaN/SiC Pure Green Chip	525 3.2 22
	DEL BD2-801GU-A11	DEL BD2-801GU-C11	Gap/Gap Yellow Green Chip	570 2.15 5
	DEL BD2-801UG-A11	DEL BD2-801UG-C11	AlGaInP/GaAs Yellow Green Chip	570 2.1 12
	DEL BD2-801HY-A11	DEL BD2-801HY-C11	GaAsP/GaP Yellow Chip	570 2.1 3
	DEL BD2-801UY-A11	DEL BD2-801UY-C11	AlGaInP/GaAs Yellow Chip	590 2.05 20
	DEL BD2-801YO-A11	DEL BD2-801YO-C11	AlGaInP/GaAs Orange Chip	605 2.05 20
	DEL BD2-801HO-A11	DEL BD2-801HO-C11	GaAsP/GaP Orange Chip	625 2 3
	DEL BD2-801UR-A11	DEL BD2-801UR-C11	AlGaInP/GaAs Red Chip	630 1.95 15
	DEL BD2-801SR-A11	DEL BD2-801SR-C11	AlGaAs/GaAs Red Chip	643 1.85 6

DD-23 DEL BD2-80xxx-xx1

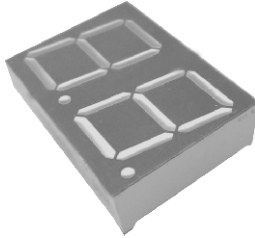
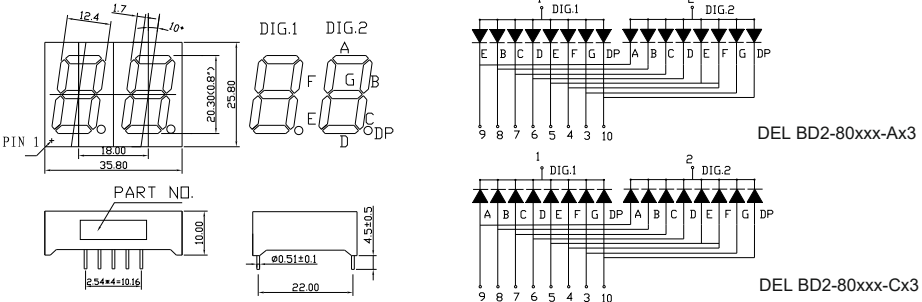


0.80"	DEL BD2-801UB-A12	DEL BD2-801UB-C12	InGaN/SiC Blue Chip	465 3.2 15
	DEL BD2-801TB-A12	DEL BD2-801TB-C12	InGzN/Al2O3 Blue Chip	465 3.1 18
	DEL BD2-801PG-A12	DEL BD2-801PG-C12	InGaN/SiC Pure Green Chip	525 3.2 22
	DEL BD2-801GU-A12	DEL BD2-801GU-C12	Gap/Gap Yellow Green Chip	570 2.15 5
	DEL BD2-801UG-A12	DEL BD2-801UG-C12	AlGaInP/GaAs Yellow Green Chip	570 2.1 12
	DEL BD2-801HY-A12	DEL BD2-801HY-C12	GaAsP/GaP Yellow Chip	570 2.1 3
	DEL BD2-801UY-A12	DEL BD2-801UY-C12	AlGaInP/GaAs Yellow Chip	590 2.05 20
	DEL BD2-801YO-A12	DEL BD2-801YO-C12	AlGaInP/GaAs Orange Chip	605 2.05 20
	DEL BD2-801HO-A12	DEL BD2-801HO-C12	GaAsP/GaP Orange Chip	625 2 3
	DEL BD2-801UR-A12	DEL BD2-801UR-C12	AlGaInP/GaAs Red Chip	630 1.95 15
	DEL BD2-801SR-A12	DEL BD2-801SR-C12	AlGaAs/GaAs Red Chip	643 1.85 6

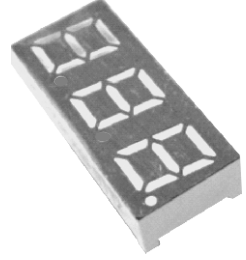
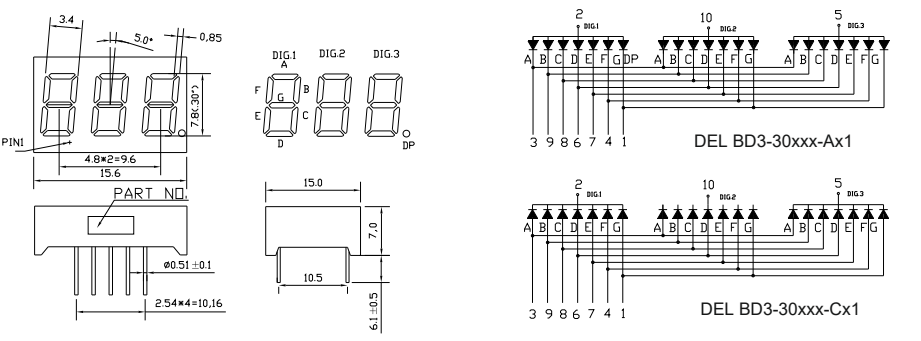
DD-24 DEL BD2-80xxx-xx2


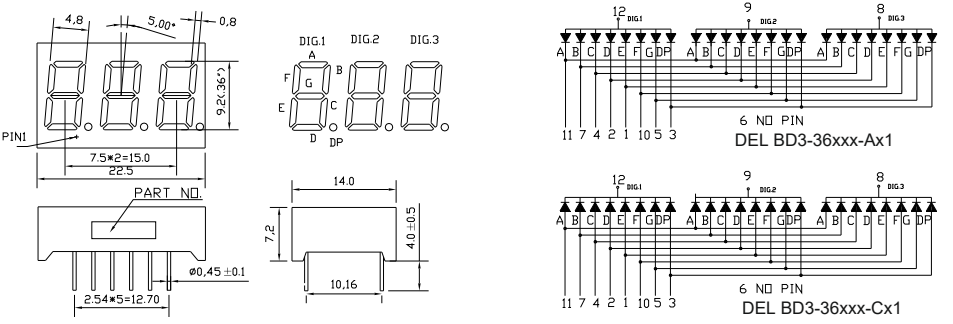


DUAL DIGIT LED DISPLAYS

Digit Size	Part No.		Chip	Electro-optical Data (At 10mA)	
	Common Anode	Common Cathode			
0.80"	DEL BD2-801UB-A13	DEL BD2-801UB-C13	InGaN/SiC Blue Chip	465	
	DEL BD2-801TB-A13	DEL BD2-801TB-C13	InGzN/Al2O3 Blue Chip	465	
	DEL BD2-801PG-A13	DEL BD2-801PG-C13	InGaN/SiC Pure Green Chip	525	
	DEL BD2-801GU-A13	DEL BD2-801GU-C13	Gap/Gap Yellow Green Chip	570	
	DEL BD2-801UG-A13	DEL BD2-801UG-C13	AlGaInP/GaAs Yellow Green Chip	570	
	DEL BD2-801HY-A13	DEL BD2-801HY-C13	GaAsP/GaP Yellow Chip	570	
	DEL BD2-801UY-A13	DEL BD2-801UY-C13	AlGaInP/GaAs Yellow Chip	590	
	DEL BD2-801YO-A13	DEL BD2-801YO-C13	AlGaInP/GaAs Orange Chip	605	
	DEL BD2-801HO-A13	DEL BD2-801HO-C13	GaAsP/GaP Orange Chip	625	
	DEL BD2-801UR-A13	DEL BD2-801UR-C13	AlGaInP/GaAs Red Chip	630	
	DEL BD2-801SR-A13	DEL BD2-801SR-C13	AlGaAs/GaAs Red Chip	643	
	DD-25 DEL BD2-80xxx-xx3				
	 				

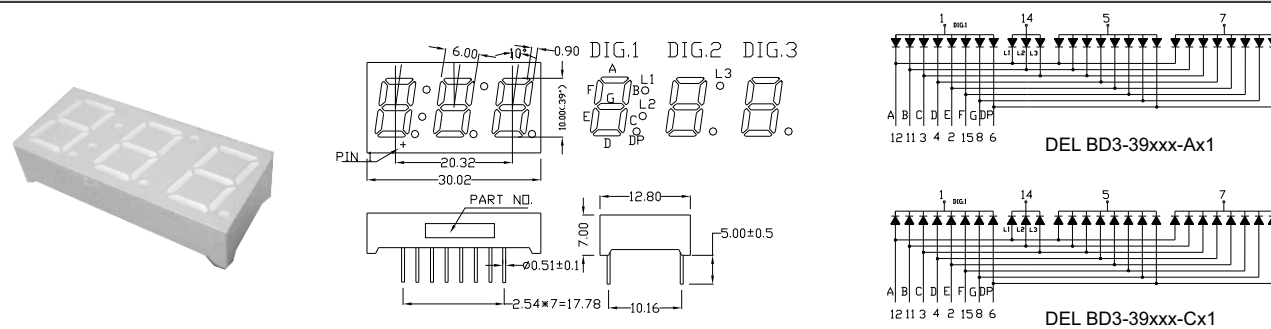
THREE DIGIT LED DISPLAYS

Digit Size	Part No.		Chip	Electro-optical Data (At 10mA)	
	Common Anode	Common Cathode			
0.3"	DEL BD3-301UB-A11	DEL BD3-301UB-C11	InGaN/SiC Blue Chip	465	
	DEL BD3-301PG-A11	DEL BD3-301PG-C11	InGaN/SiC Pure Green Chip	525	
	DEL BD3-301GU-A11	DEL BD3-301GU-C11	Gap/Gap Yellow Green Chip	570	
	DEL BD3-301UG-A11	DEL BD3-301UG-C11	AlGaInP/GaAs Yellow Green Chip	570	
	DEL BD3-301HY-A11	DEL BD3-301HY-C11	GaAsP/GaP Yellow Chip	590	
	DEL BD3-301UY-A11	DEL BD3-301UY-C11	AlGaInP/GaAs Yellow Chip	590	
	DEL BD3-301YO-A11	DEL BD3-301YO-C11	AlGaInP/GaAs Orange Chip	605	
	DEL BD3-301HO-A11	DEL BD3-301HO-C11	GaAsP/GaP Orange Chip	625	
	DEL BD3-301UR-A11	DEL BD3-301UR-C11	AlGaInP/GaAs Red Chip	630	
	DEL BD3-301SR-A11	DEL BD3-301SR-C11	AlGaAs/GaAs Red Chip	643	
	TD-01 DEL BD3-30xxx-xx1				
	 				

0.36"	DEL BD3-361UB-A11	DEL BD3-361UB-C11	InGaN/SiC Blue Chip	465
	DEL BD3-361PG-A11	DEL BD3-361PG-C11	InGaN/SiC Pure Green Chip	525
	DEL BD3-361GU-A11	DEL BD3-361GU-C11	Gap/Gap Yellow Green Chip	570
	DEL BD3-361UG-A11	DEL BD3-361UG-C11	AlGaInP/GaAs Yellow Green Chip	570
	DEL BD3-361HY-A11	DEL BD3-361HY-C11	GaAsP/GaP Yellow Chip	590
	DEL BD3-361UY-A11	DEL BD3-361UY-C11	AlGaInP/GaAs Yellow Chip	590
	DEL BD3-361YO-A11	DEL BD3-361YO-C11	AlGaInP/GaAs Orange Chip	605
	DEL BD3-361HO-A11	DEL BD3-361HO-C11	GaAsP/GaP Orange Chip	625
	DEL BD3-361UR-A11	DEL BD3-361UR-C11	AlGaInP/GaAs Red Chip	630
	DEL BD3-361SR-A11	DEL BD3-361SR-C11	AlGaAs/GaAs Red Chip	643
TD-02 DEL BD3-36xxx-xx1				
 				

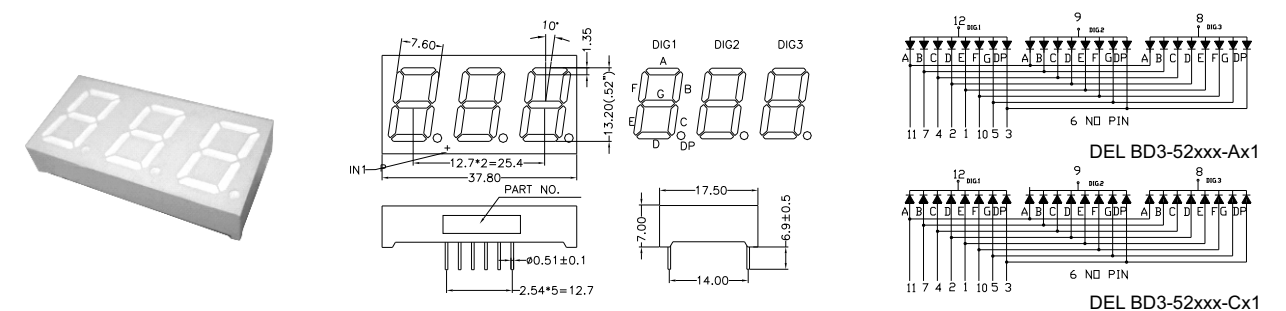
Digit Size	Part No.		Chip	Electro-optical Data (At 10mA)
	Common Anode	Common Cathode		
0.39"	DEL BD3-391UB-A11	DEL BD3-391UB-C11	InGaN/SiC Blue Chip	Wave Length λ_d (nm): 465, VF (V) Typ.: 3.2, Iv. Typ. Per. Seg. (mcd): 12
	DEL BD3-391PG-A11	DEL BD3-391PG-C11	InGaN/SiC Pure Green Chip	Wave Length λ_d (nm): 525, VF (V) Typ.: 3.2, Iv. Typ. Per. Seg. (mcd): 18
	DEL BD3-391GU-A11	DEL BD3-391GU-C11	Gap/Gap Yellow Green Chip	Wave Length λ_d (nm): 570, VF (V) Typ.: 2.15, Iv. Typ. Per. Seg. (mcd): 2.5
	DEL BD3-391UG-A11	DEL BD3-391UG-C11	AlGaInP/GaAs Yellow Green Chip	Wave Length λ_d (nm): 570, VF (V) Typ.: 2.1, Iv. Typ. Per. Seg. (mcd): 4.5
	DEL BD3-391HY-A11	DEL BD3-391HY-C11	GaAsP/GaP Yellow Chip	Wave Length λ_d (nm): 590, VF (V) Typ.: 2.1, Iv. Typ. Per. Seg. (mcd): 1.5
	DEL BD3-391UY-A11	DEL BD3-391UY-C11	AlGaInP/GaAs Yellow Chip	Wave Length λ_d (nm): 590, VF (V) Typ.: 2.05, Iv. Typ. Per. Seg. (mcd): 15
	DEL BD3-391YO-A11	DEL BD3-391YO-C11	AlGaInP/GaAs Orange Chip	Wave Length λ_d (nm): 605, VF (V) Typ.: 2.05, Iv. Typ. Per. Seg. (mcd): 15
	DEL BD3-391HO-A11	DEL BD3-391HO-C11	GaAsP/GaP Orange Chip	Wave Length λ_d (nm): 625, VF (V) Typ.: 2, Iv. Typ. Per. Seg. (mcd): 1.5
	DEL BD3-391UR-A11	DEL BD3-391UR-C11	AlGaInP/GaAs Red Chip	Wave Length λ_d (nm): 630, VF (V) Typ.: 1.95, Iv. Typ. Per. Seg. (mcd): 10
	DEL BD3-391SR-A11	DEL BD3-391SR-C11	AlGaAs/GaAs Red Chip	Wave Length λ_d (nm): 643, VF (V) Typ.: 1.85, Iv. Typ. Per. Seg. (mcd): 1.5

TD-03 DEL BD3-39xxx-xx1



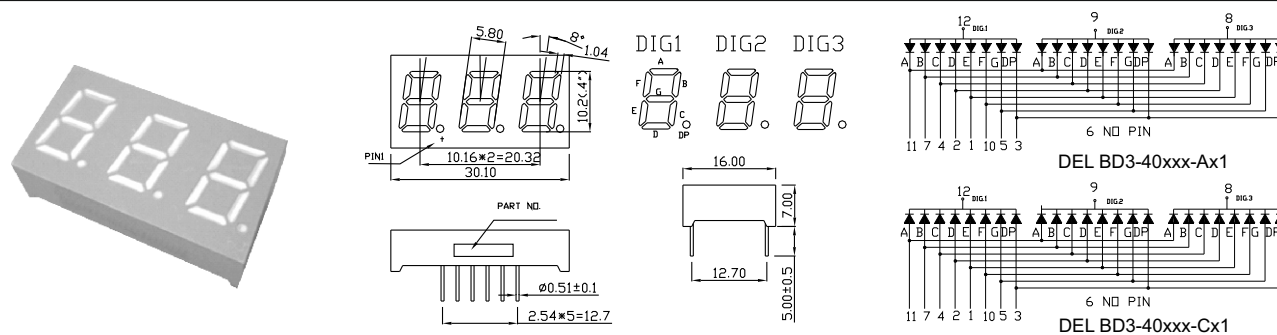
Digit Size	Part No.		Chip	Electro-optical Data (At 10mA)
	Common Anode	Common Cathode		
0.52"	DEL BD3-521UB-A11	DEL BD3-521UB-C11	InGaN/SiC Blue Chip	Wave Length λ_d (nm): 465, VF (V) Typ.: 3.2, Iv. Typ. Per. Seg. (mcd): 15
	DEL BD3-521TB-A11	DEL BD3-521TB-C11	InGaN/Al2O3 Blue Chip	Wave Length λ_d (nm): 465, VF (V) Typ.: 3.1, Iv. Typ. Per. Seg. (mcd): 18
	DEL BD3-521PG-A11	DEL BD3-521PG-C11	InGaN/SiC Pure Green Chip	Wave Length λ_d (nm): 525, VF (V) Typ.: 3.2, Iv. Typ. Per. Seg. (mcd): 22
	DEL BD3-521GU-A11	DEL BD3-521GU-C11	Gap/Gap Yellow Green Chip	Wave Length λ_d (nm): 570, VF (V) Typ.: 2.15, Iv. Typ. Per. Seg. (mcd): 5
	DEL BD3-521UG-A11	DEL BD3-521UG-C11	AlGaInP/GaAs Yellow Green Chip	Wave Length λ_d (nm): 570, VF (V) Typ.: 2.1, Iv. Typ. Per. Seg. (mcd): 12
	DEL BD3-521HY-A11	DEL BD3-521HY-C11	GaAsP/GaP Yellow Chip	Wave Length λ_d (nm): 590, VF (V) Typ.: 2.1, Iv. Typ. Per. Seg. (mcd): 3
	DEL BD3-521UY-A11	DEL BD3-521UY-C11	AlGaInP/GaAs Yellow Chip	Wave Length λ_d (nm): 590, VF (V) Typ.: 2.05, Iv. Typ. Per. Seg. (mcd): 20
	DEL BD3-521YO-A11	DEL BD3-521YO-C11	AlGaInP/GaAs Orange Chip	Wave Length λ_d (nm): 605, VF (V) Typ.: 2.05, Iv. Typ. Per. Seg. (mcd): 20
	DEL BD3-521HO-A11	DEL BD3-521HO-C11	GaAsP/GaP Orange Chip	Wave Length λ_d (nm): 625, VF (V) Typ.: 2, Iv. Typ. Per. Seg. (mcd): 3
	DEL BD3-521UR-A11	DEL BD3-521UR-C11	AlGaInP/GaAs Red Chip	Wave Length λ_d (nm): 630, VF (V) Typ.: 1.95, Iv. Typ. Per. Seg. (mcd): 15
	DEL BD3-521SR-A11	DEL BD3-521SR-C11	AlGaAs/GaAs Red Chip	Wave Length λ_d (nm): 643, VF (V) Typ.: 1.85, Iv. Typ. Per. Seg. (mcd): 6

TD-05 DEL BD3-52xxx-xx1



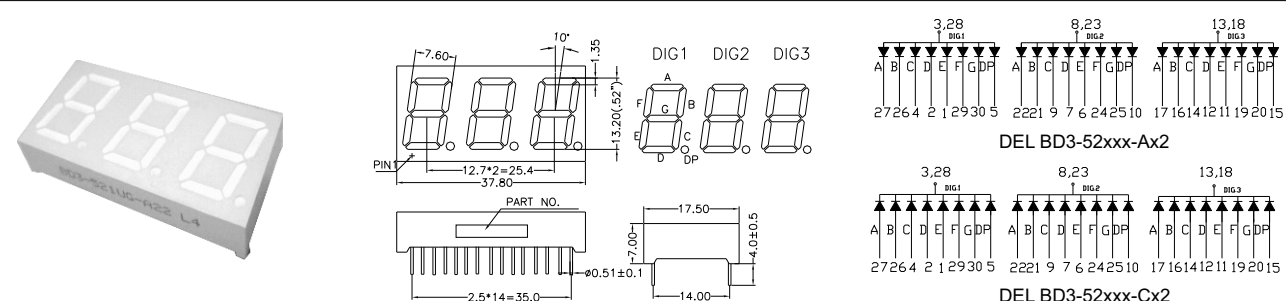
Digit Size	Part No.		Chip	Electro-optical Data (At 10mA)
	Common Anode	Common Cathode		
0.40"	DEL BD3-401UB-A11	DEL BD3-401UB-C11	InGaN/SiC Blue Chip	Wave Length λ_d (nm): 465, VF (V) Typ.: 3.2, Iv. Typ. Per. Seg. (mcd): 12
	DEL BD3-401PG-A11	DEL BD3-401PG-C11	InGaN/SiC Pure Green Chip	Wave Length λ_d (nm): 525, VF (V) Typ.: 3.2, Iv. Typ. Per. Seg. (mcd): 18
	DEL BD3-401GU-A11	DEL BD3-401GU-C11	Gap/Gap Yellow Green Chip	Wave Length λ_d (nm): 570, VF (V) Typ.: 2.15, Iv. Typ. Per. Seg. (mcd): 2.5
	DEL BD3-401UG-A11	DEL BD3-401UG-C11	AlGaInP/GaAs Yellow Green Chip	Wave Length λ_d (nm): 570, VF (V) Typ.: 2.1, Iv. Typ. Per. Seg. (mcd): 4.5
	DEL BD3-401HY-A11	DEL BD3-401HY-C11	GaAsP/GaP Yellow Chip	Wave Length λ_d (nm): 590, VF (V) Typ.: 2.1, Iv. Typ. Per. Seg. (mcd): 1.5
	DEL BD3-401UY-A11	DEL BD3-401UY-C11	AlGaInP/GaAs Yellow Chip	Wave Length λ_d (nm): 590, VF (V) Typ.: 2.05, Iv. Typ. Per. Seg. (mcd): 15
	DEL BD3-401YO-A11	DEL BD3-401YO-C11	AlGaInP/GaAs Orange Chip	Wave Length λ_d (nm): 605, VF (V) Typ.: 2.05, Iv. Typ. Per. Seg. (mcd): 15
	DEL BD3-401HO-A11	DEL BD3-401HO-C11	GaAsP/GaP Orange Chip	Wave Length λ_d (nm): 625, VF (V) Typ.: 2, Iv. Typ. Per. Seg. (mcd): 1.5
	DEL BD3-401UR-A11	DEL BD3-401UR-C11	AlGaInP/GaAs Red Chip	Wave Length λ_d (nm): 630, VF (V) Typ.: 1.95, Iv. Typ. Per. Seg. (mcd): 10
	DEL BD3-401SR-A11	DEL BD3-401SR-C11	AlGaAs/GaAs Red Chip	Wave Length λ_d (nm): 643, VF (V) Typ.: 1.85, Iv. Typ. Per. Seg. (mcd): 1.5

TD-04 DEL BD3-40xxx-xx1



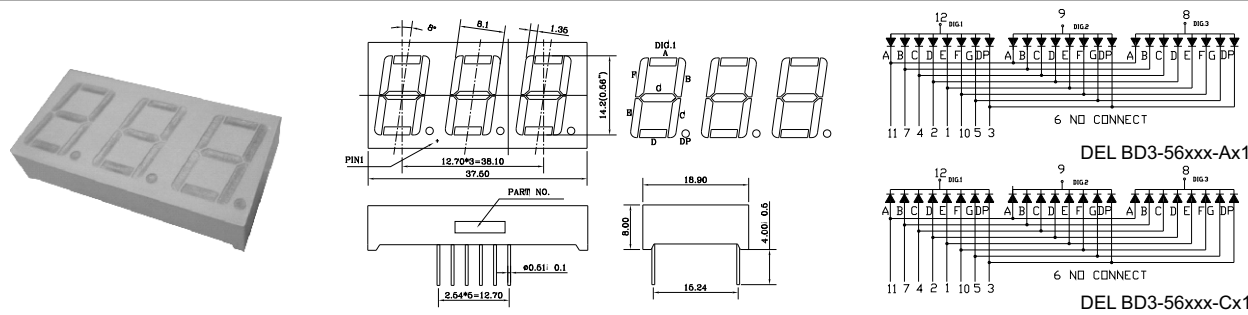
Digit Size	Part No.		Chip	Electro-optical Data (At 10mA)
	Common Anode	Common Cathode		
0.52"	DEL BD3-521UB-A12	DEL BD3-521UB-C12	InGaN/SiC Blue Chip	Wave Length λ_d (nm): 465, VF (V) Typ.: 3.2, Iv. Typ. Per. Seg. (mcd): 15
	DEL BD3-521TB-A12	DEL BD3-521TB-C12	InGaN/Al2O3 Blue Chip	Wave Length λ_d (nm): 465, VF (V) Typ.: 3.1, Iv. Typ. Per. Seg. (mcd): 18
	DEL BD3-521PG-A12	DEL BD3-521PG-C12	InGaN/SiC Pure Green Chip	Wave Length λ_d (nm): 525, VF (V) Typ.: 3.2, Iv. Typ. Per. Seg. (mcd): 22
	DEL BD3-521GU-A12	DEL BD3-521GU-C12	Gap/Gap Yellow Green Chip	Wave Length λ_d (nm): 570, VF (V) Typ.: 2.15, Iv. Typ. Per. Seg. (mcd): 5
	DEL BD3-521UG-A12	DEL BD3-521UG-C12	AlGaInP/GaAs Yellow Green Chip	Wave Length λ_d (nm): 570, VF (V) Typ.: 2.1, Iv. Typ. Per. Seg. (mcd): 12
	DEL BD3-521HY-A12	DEL BD3-521HY-C12	GaAsP/GaP Yellow Chip	Wave Length λ_d (nm): 590, VF (V) Typ.: 2.1, Iv. Typ. Per. Seg. (mcd): 3
	DEL BD3-521UY-A12	DEL BD3-521UY-C12	AlGaInP/GaAs Yellow Chip	Wave Length λ_d (nm): 590, VF (V) Typ.: 2.05, Iv. Typ. Per. Seg. (mcd): 20
	DEL BD3-521YO-A12	DEL BD3-521YO-C12	AlGaInP/GaAs Orange Chip	Wave Length λ_d (nm): 605, VF (V) Typ.: 2.05, Iv. Typ. Per. Seg. (mcd): 20
	DEL BD3-521HO-A12	DEL BD3-521HO-C12	GaAsP/GaP Orange Chip	Wave Length λ_d (nm): 625, VF (V) Typ.: 2, Iv. Typ. Per. Seg. (mcd): 3
	DEL BD3-521UR-A12	DEL BD3-521UR-C12	AlGaInP/GaAs Red Chip	Wave Length λ_d (nm): 630, VF (V) Typ.: 1.95, Iv. Typ. Per. Seg. (mcd): 15
	DEL BD3-521SR-A12	DEL BD3-521SR-C12	AlGaAs/GaAs Red Chip	Wave Length λ_d (nm): 643, VF (V) Typ.: 1.85, Iv. Typ. Per. Seg. (mcd): 6

TD-06 DEL BD3-52xxx-xx2



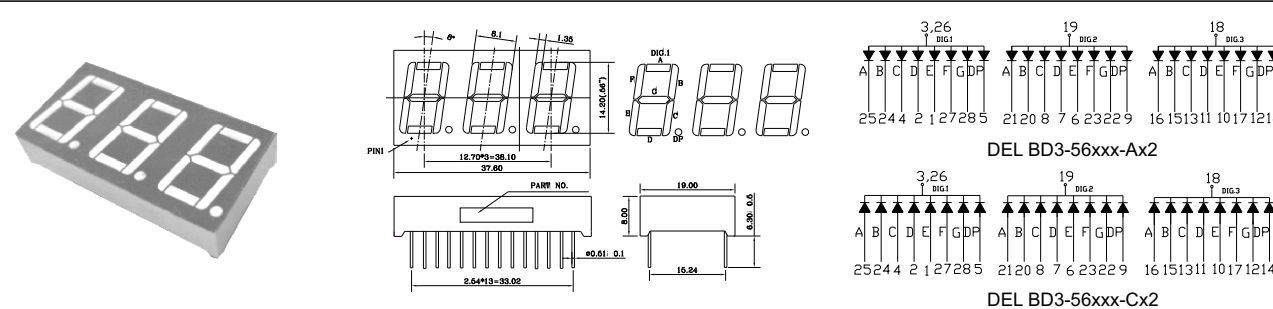
Digit Size	Part No.		Chip	Electro-optical Data (At 10mA)		
	Common Anode	Common Cathode			Material/Emitted Color	Wave Length λ (nm)
0.56"	DEL BD3-561UB-A11	DEL BD3-561UB-C11	InGaN/SiC Blue Chip	465	3.2	15
	DEL BD3-561TB-A11	DEL BD3-561TB-C11	InGzN/Al2O3 Blue Chip	465	3.1	18
	DEL BD3-561PG-A11	DEL BD3-561PG-C11	InGaN/SiC Pure Green Chip	525	3.2	22
	DEL BD3-561GU-A11	DEL BD3-561GU-C11	Gap/Gap Yellow Green Chip	570	2.15	5
	DEL BD3-561UG-A11	DEL BD3-561UG-C11	AlGalnP/GaAs Yellow Green Chip	570	2.1	12
	DEL BD3-561HY-A11	DEL BD3-561HY-C11	GaAsP/GaP Yellow Chip	590	2.1	3
	DEL BD3-561UY-A11	DEL BD3-561UY-C11	AlGalnP/GaAs Yellow Chip	590	2.05	20
	DEL BD3-561YO-A11	DEL BD3-561YO-C11	AlGalnP/GaAs Orange Chip	605	2.05	20
	DEL BD3-561HO-A11	DEL BD3-561HO-C11	GaAsP/GaP Orange Chip	625	2	3
	DEL BD3-561UR-A11	DEL BD3-561UR-C11	AlGalnP/GaAs Red Chip	630	1.95	15
	DEL BD3-561SR-A11	DEL BD3-561SR-C11	AlGaAs/GaAs Red Chip	643	1.85	6

TD-07 DEL BD3-56xxx-xx1



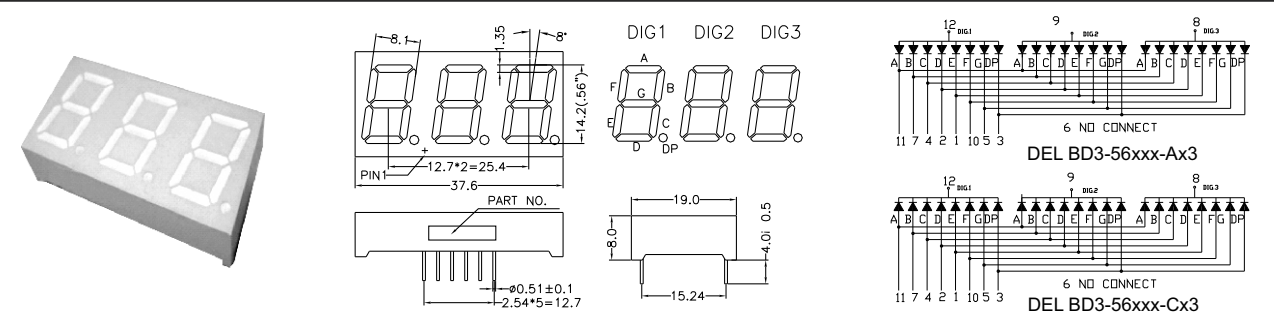
0.56"	DEL BD3-561UB-A12	DEL BD3-561UB-C12	InGaN/SiC Blue Chip	465	3.2	15
	DEL BD3-561TB-A12	DEL BD3-561TB-C12	InGzN/Al2O3 Blue Chip	465	3.1	18
	DEL BD3-561PG-A12	DEL BD3-561PG-C12	InGaN/SiC Pure Green Chip	525	3.2	22
	DEL BD3-561GU-A12	DEL BD3-561GU-C12	Gap/Gap Yellow Green Chip	570	2.15	5
	DEL BD3-561UG-A12	DEL BD3-561UG-C12	AlGalnP/GaAs Yellow Green Chip	570	2.1	12
	DEL BD3-561HY-A12	DEL BD3-561HY-C12	GaAsP/GaP Yellow Chip	590	2.1	3
	DEL BD3-561UY-A12	DEL BD3-561UY-C12	AlGalnP/GaAs Yellow Chip	590	2.05	20
	DEL BD3-561YO-A12	DEL BD3-561YO-C12	AlGalnP/GaAs Orange Chip	605	2.05	20
	DEL BD3-561HO-A12	DEL BD3-561HO-C12	GaAsP/GaP Orange Chip	625	2	3
	DEL BD3-561UR-A12	DEL BD3-561UR-C12	AlGalnP/GaAs Red Chip	630	1.95	15
	DEL BD3-561SR-A12	DEL BD3-561SR-C12	AlGaAs/GaAs Red Chip	643	1.85	6

TD-08 DEL BD3-56xxx-xx2



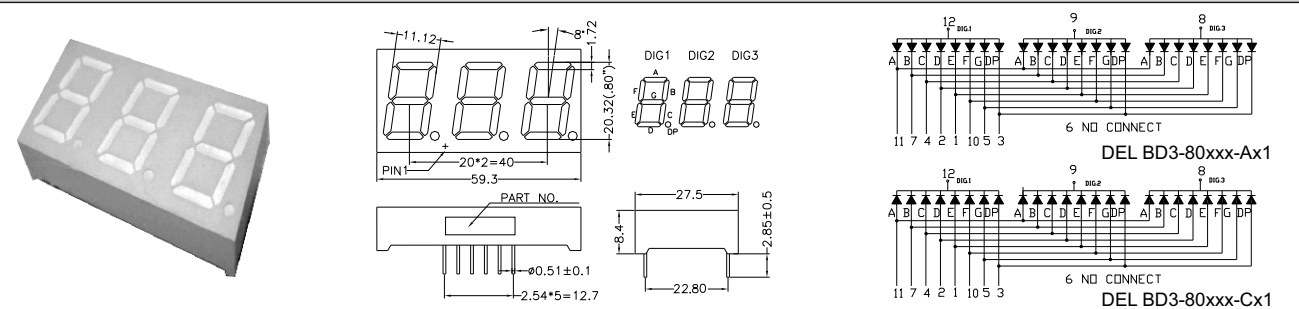
Digit Size	Part No.		Chip	Electro-optical Data (At 10mA)		
	Common Anode	Common Cathode			Material/Emitted Color	Wave Length λ (nm)
0.56"	DEL BD3-561UB-A13	DEL BD3-561UB-C13	InGaN/SiC Blue Chip	465	3.2	15
	DEL BD3-561TB-A13	DEL BD3-561TB-C13	InGzN/Al2O3 Blue Chip	465	3.1	18
	DEL BD3-561PG-A13	DEL BD3-561PG-C13	InGaN/SiC Pure Green Chip	525	3.2	22
	DEL BD3-561GU-A13	DEL BD3-561GU-C13	Gap/Gap Yellow Green Chip	570	2.15	5
	DEL BD3-561UG-A13	DEL BD3-561UG-C13	AlGalnP/GaAs Yellow Green Chip	570	2.1	12
	DEL BD3-561HY-A13	DEL BD3-561HY-C13	GaAsP/GaP Yellow Chip	590	2.1	3
	DEL BD3-561UY-A13	DEL BD3-561UY-C13	AlGalnP/GaAs Yellow Chip	590	2.05	20
	DEL BD3-561YO-A13	DEL BD3-561YO-C13	AlGalnP/GaAs Orange Chip	605	2.05	20
	DEL BD3-561HO-A13	DEL BD3-561HO-C13	GaAsP/GaP Orange Chip	625	2	3
	DEL BD3-561UR-A13	DEL BD3-561UR-C13	AlGalnP/GaAs Red Chip	630	1.95	15
	DEL BD3-561SR-A13	DEL BD3-561SR-C13	AlGaAs/GaAs Red Chip	643	1.85	6

TD-09 DEL BD3-56xxx-xx3



0.80"	DEL BD3-801UB-A11	DEL BD3-801UB-C11	InGaN/SiC Blue Chip	465	3.2	18
	DEL BD3-801TB-A11	DEL BD3-801TB-C11	InGzN/Al2O3 Blue Chip	465	3.1	20
	DEL BD3-801PG-A11	DEL BD3-801PG-C11	InGaN/SiC Pure Green Chip	525	3.2	22
	DEL BD3-801GU-A11	DEL BD3-801GU-C11	Gap/Gap Yellow Green Chip	570	2.15	10
	DEL BD3-801UG-A11	DEL BD3-801UG-C11	AlGalnP/GaAs Yellow Green Chip	570	2.1	15
	DEL BD3-801HY-A11	DEL BD3-801HY-C11	GaAsP/GaP Yellow Chip	590	2.1	4.5
	DEL BD3-801UY-A11	DEL BD3-801UY-C11	AlGalnP/GaAs Yellow Chip	590	2.05	20
	DEL BD3-801YO-A11	DEL BD3-801YO-C11	AlGalnP/GaAs Orange Chip	605	2.05	20
	DEL BD3-801HO-A11	DEL BD3-801HO-C11	GaAsP/GaP Orange Chip	625	2	4.5
	DEL BD3-801UR-A11	DEL BD3-801UR-C11	AlGalnP/GaAs Red Chip	630	1.95	15
	DEL BD3-801SR-A11	DEL BD3-801SR-C11	AlGaAs/GaAs Red Chip	643	1.85	10

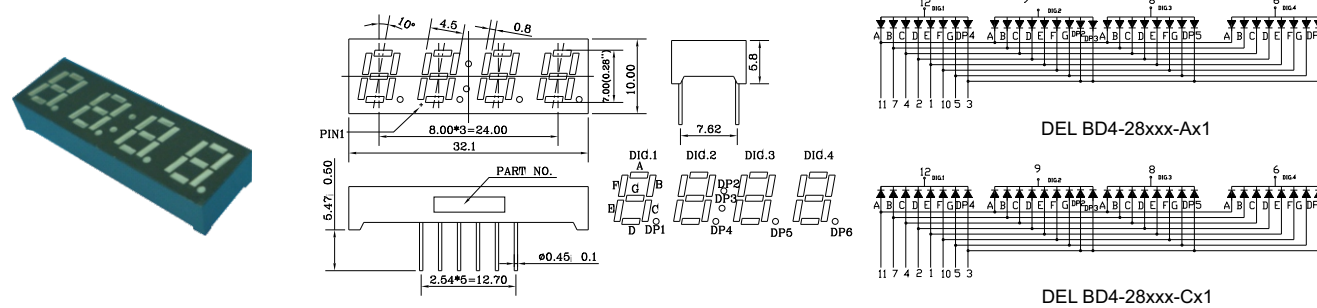
TD-10 DEL BD3-80xxx-xx1



NOTE: 1.All dimensions are in millimeters (inches). 2.Tolerance is +/- 0.25mm. 3.Specifications are subject to change without notice. 4.NP: No Pin. 5.NC: No Connect.

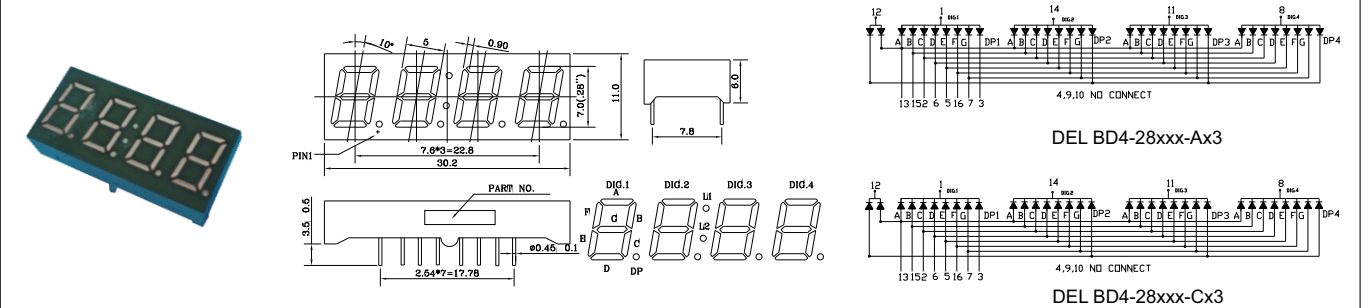
Digit Size	Part No.		Chip	Electro-optical Data (At 10mA)
	Common Anode	Common Cathode		
0.28"	DEL BD4-281UB-A11	DEL BD4-281UB-C11	InGaN/SiC Blue Chip	Wave Length λ (nm): 465, VF (V) Typ.: 3.2, Iv.Typ. Per. Seg. (mcd): 12
	DEL BD4-281PG-A11	DEL BD4-281PG-C11	InGaN/SiC Pure Green Chip	Wave Length λ (nm): 525, VF (V) Typ.: 3.2, Iv.Typ. Per. Seg. (mcd): 18
	DEL BD4-281GU-A11	DEL BD4-281GU-C11	Gap/Gap Yellow Green Chip	Wave Length λ (nm): 570, VF (V) Typ.: 2.15, Iv.Typ. Per. Seg. (mcd): 2.5
	DEL BD4-281UG-A11	DEL BD4-281UG-C11	AlGaInP/GaAs Yellow Green Chip	Wave Length λ (nm): 570, VF (V) Typ.: 2.1, Iv.Typ. Per. Seg. (mcd): 4.5
	DEL BD4-281HY-A11	DEL BD4-281HY-C11	GaAsP/GaP Yellow Chip	Wave Length λ (nm): 590, VF (V) Typ.: 2.1, Iv.Typ. Per. Seg. (mcd): 1.5
	DEL BD4-281UY-A11	DEL BD4-281UY-C11	AlGaInP/GaAs Yellow Chip	Wave Length λ (nm): 590, VF (V) Typ.: 2.05, Iv.Typ. Per. Seg. (mcd): 15
	DEL BD4-281YO-A11	DEL BD4-281YO-C11	AlGaInP/GaAs Orange Chip	Wave Length λ (nm): 605, VF (V) Typ.: 2.05, Iv.Typ. Per. Seg. (mcd): 15
	DEL BD4-281HO-A11	DEL BD4-281HO-C11	GaAsP/GaP Orange Chip	Wave Length λ (nm): 625, VF (V) Typ.: 2, Iv.Typ. Per. Seg. (mcd): 1.5
	DEL BD4-281UR-A11	DEL BD4-281UR-C11	AlGaInP/GaAs Red Chip	Wave Length λ (nm): 630, VF (V) Typ.: 1.95, Iv.Typ. Per. Seg. (mcd): 10
	DEL BD4-281SR-A11	DEL BD4-281SR-C11	AlGaAs/GaAs Red Chip	Wave Length λ (nm): 643, VF (V) Typ.: 1.85, Iv.Typ. Per. Seg. (mcd): 1.5

FD-01 DEL BD4-28xxx-xx1



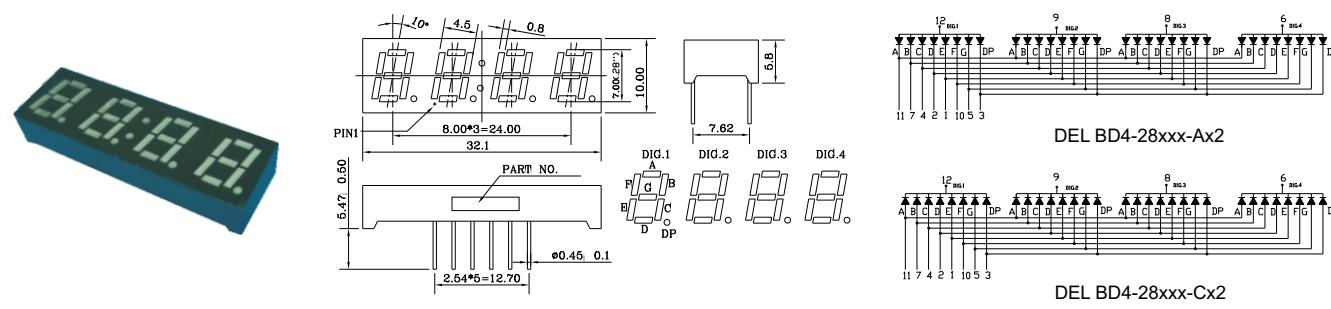
Digit Size	Part No.		Chip	Electro-optical Data (At 10mA)
	Common Anode	Common Cathode		
0.28"	DEL BD4-281UB-A13	DEL BD4-281UB-C13	InGaN/SiC Blue Chip	Wave Length λ (nm): 465, VF (V) Typ.: 3.2, Iv.Typ. Per. Seg. (mcd): 12
	DEL BD4-281PG-A13	DEL BD4-281PG-C13	InGaN/SiC Pure Green Chip	Wave Length λ (nm): 525, VF (V) Typ.: 3.2, Iv.Typ. Per. Seg. (mcd): 18
	DEL BD4-281GU-A13	DEL BD4-281GU-C13	Gap/Gap Yellow Green Chip	Wave Length λ (nm): 570, VF (V) Typ.: 2.15, Iv.Typ. Per. Seg. (mcd): 2.5
	DEL BD4-281UG-A13	DEL BD4-281UG-C13	AlGaInP/GaAs Yellow Green Chip	Wave Length λ (nm): 570, VF (V) Typ.: 2.1, Iv.Typ. Per. Seg. (mcd): 4.5
	DEL BD4-281HY-A13	DEL BD4-281HY-C13	GaAsP/GaP Yellow Chip	Wave Length λ (nm): 590, VF (V) Typ.: 2.1, Iv.Typ. Per. Seg. (mcd): 1.5
	DEL BD4-281UY-A13	DEL BD4-281UY-C13	AlGaInP/GaAs Yellow Chip	Wave Length λ (nm): 590, VF (V) Typ.: 2.05, Iv.Typ. Per. Seg. (mcd): 15
	DEL BD4-281YO-A13	DEL BD4-281YO-C13	AlGaInP/GaAs Orange Chip	Wave Length λ (nm): 605, VF (V) Typ.: 2.05, Iv.Typ. Per. Seg. (mcd): 15
	DEL BD4-281HO-A13	DEL BD4-281HO-C13	GaAsP/GaP Orange Chip	Wave Length λ (nm): 625, VF (V) Typ.: 2, Iv.Typ. Per. Seg. (mcd): 1.5
	DEL BD4-281UR-A13	DEL BD4-281UR-C13	AlGaInP/GaAs Red Chip	Wave Length λ (nm): 630, VF (V) Typ.: 1.95, Iv.Typ. Per. Seg. (mcd): 10
	DEL BD4-281SR-A13	DEL BD4-281SR-C13	AlGaAs/GaAs Red Chip	Wave Length λ (nm): 643, VF (V) Typ.: 1.85, Iv.Typ. Per. Seg. (mcd): 1.5

FD-03 DEL BD4-28xxx-xx3



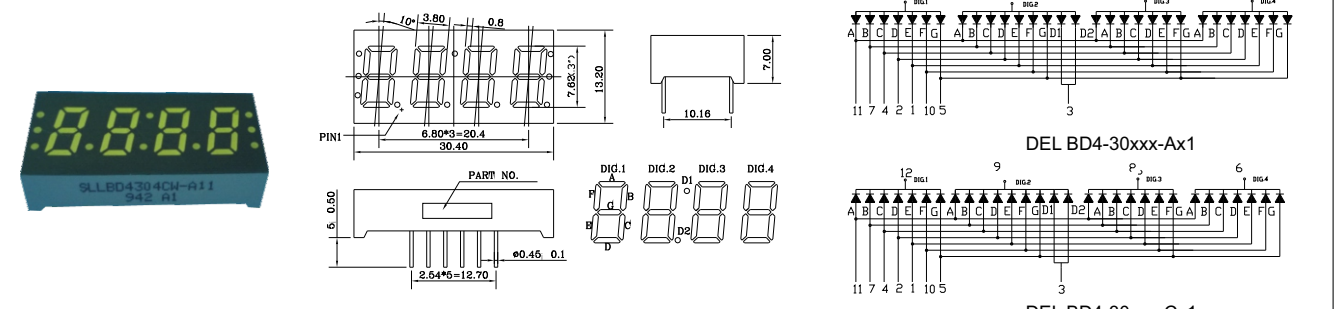
Digit Size	Part No.		Chip	Electro-optical Data (At 10mA)
	Common Anode	Common Cathode		
0.28"	DEL BD4-281UB-A12	DEL BD4-281UB-C12	InGaN/SiC Blue Chip	Wave Length λ (nm): 465, VF (V) Typ.: 3.2, Iv.Typ. Per. Seg. (mcd): 12
	DEL BD4-281PG-A12	DEL BD4-281PG-C12	InGaN/SiC Pure Green Chip	Wave Length λ (nm): 525, VF (V) Typ.: 3.2, Iv.Typ. Per. Seg. (mcd): 18
	DEL BD4-281GU-A12	DEL BD4-281GU-C12	Gap/Gap Yellow Green Chip	Wave Length λ (nm): 570, VF (V) Typ.: 2.15, Iv.Typ. Per. Seg. (mcd): 2.5
	DEL BD4-281UG-A12	DEL BD4-281UG-C12	AlGaInP/GaAs Yellow Green Chip	Wave Length λ (nm): 570, VF (V) Typ.: 2.1, Iv.Typ. Per. Seg. (mcd): 4.5
	DEL BD4-281HY-A12	DEL BD4-281HY-C12	GaAsP/GaP Yellow Chip	Wave Length λ (nm): 590, VF (V) Typ.: 2.1, Iv.Typ. Per. Seg. (mcd): 1.5
	DEL BD4-281UY-A12	DEL BD4-281UY-C12	AlGaInP/GaAs Yellow Chip	Wave Length λ (nm): 590, VF (V) Typ.: 2.05, Iv.Typ. Per. Seg. (mcd): 15
	DEL BD4-281YO-A12	DEL BD4-281YO-C12	AlGaInP/GaAs Orange Chip	Wave Length λ (nm): 605, VF (V) Typ.: 2.05, Iv.Typ. Per. Seg. (mcd): 15
	DEL BD4-281HO-A12	DEL BD4-281HO-C12	GaAsP/GaP Orange Chip	Wave Length λ (nm): 625, VF (V) Typ.: 2, Iv.Typ. Per. Seg. (mcd): 1.5
	DEL BD4-281UR-A12	DEL BD4-281UR-C12	AlGaInP/GaAs Red Chip	Wave Length λ (nm): 630, VF (V) Typ.: 1.95, Iv.Typ. Per. Seg. (mcd): 10
	DEL BD4-281SR-A12	DEL BD4-281SR-C12	AlGaAs/GaAs Red Chip	Wave Length λ (nm): 643, VF (V) Typ.: 1.85, Iv.Typ. Per. Seg. (mcd): 1.5

FD-02 DEL BD4-28Xxxx-xx2



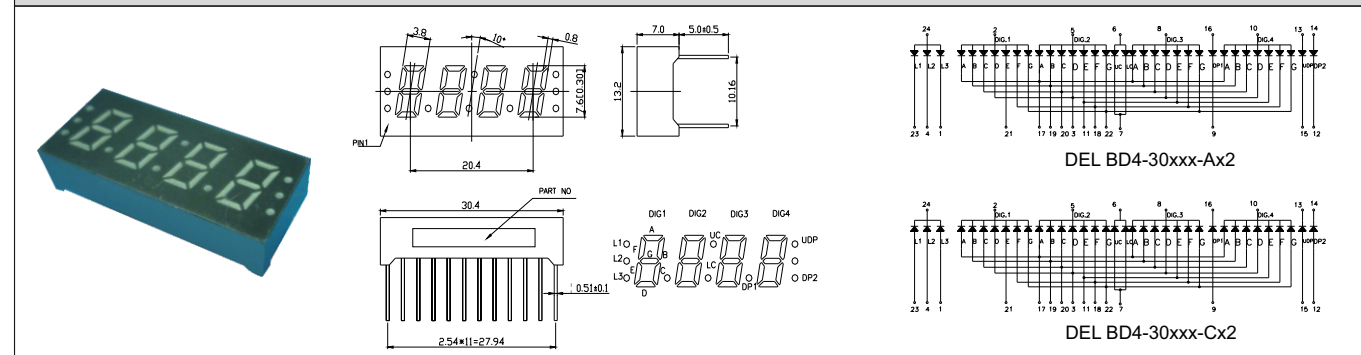
Digit Size	Part No.		Chip	Electro-optical Data (At 10mA)
	Common Anode	Common Cathode		
0.3"	DEL BD4-301UB-A11	DEL BD4-301UB-C11	InGaN/SiC Blue Chip	Wave Length λ (nm): 465, VF (V) Typ.: 3.2, Iv.Typ. Per. Seg. (mcd): 12
	DEL BD4-301PG-A11	DEL BD4-301PG-C11	InGaN/SiC Pure Green Chip	Wave Length λ (nm): 525, VF (V) Typ.: 3.2, Iv.Typ. Per. Seg. (mcd): 18
	DEL BD4-301GU-A11	DEL BD4-301GU-C11	Gap/Gap Yellow Green Chip	Wave Length λ (nm): 570, VF (V) Typ.: 2.15, Iv.Typ. Per. Seg. (mcd): 2.5
	DEL BD4-301UG-A11	DEL BD4-301UG-C11	AlGaInP/GaAs Yellow Green Chip	Wave Length λ (nm): 570, VF (V) Typ.: 2.1, Iv.Typ. Per. Seg. (mcd): 4.5
	DEL BD4-301HY-A11	DEL BD4-301HY-C11	GaAsP/GaP Yellow Chip	Wave Length λ (nm): 590, VF (V) Typ.: 2.1, Iv.Typ. Per. Seg. (mcd): 1.5
	DEL BD4-301UY-A11	DEL BD4-301UY-C11	AlGaInP/GaAs Yellow Chip	Wave Length λ (nm): 590, VF (V) Typ.: 2.05, Iv.Typ. Per. Seg. (mcd): 15
	DEL BD4-301YO-A11	DEL BD4-301YO-C11	AlGaInP/GaAs Orange Chip	Wave Length λ (nm): 605, VF (V) Typ.: 2.05, Iv.Typ. Per. Seg. (mcd): 15
	DEL BD4-301HO-A11	DEL BD4-301HO-C11	GaAsP/GaP Orange Chip	Wave Length λ (nm): 625, VF (V) Typ.: 2, Iv.Typ. Per. Seg. (mcd): 1.5
	DEL BD4-301UR-A11	DEL BD4-301UR-C11	AlGaInP/GaAs Red Chip	Wave Length λ (nm): 630, VF (V) Typ.: 1.95, Iv.Typ. Per. Seg. (mcd): 10
	DEL BD4-301SR-A11	DEL BD4-301SR-C11	AlGaAs/GaAs Red Chip	Wave Length λ (nm): 643, VF (V) Typ.: 1.85, Iv.Typ. Per. Seg. (mcd): 1.5

FD-04 DEL BD4-30xxx-xx1



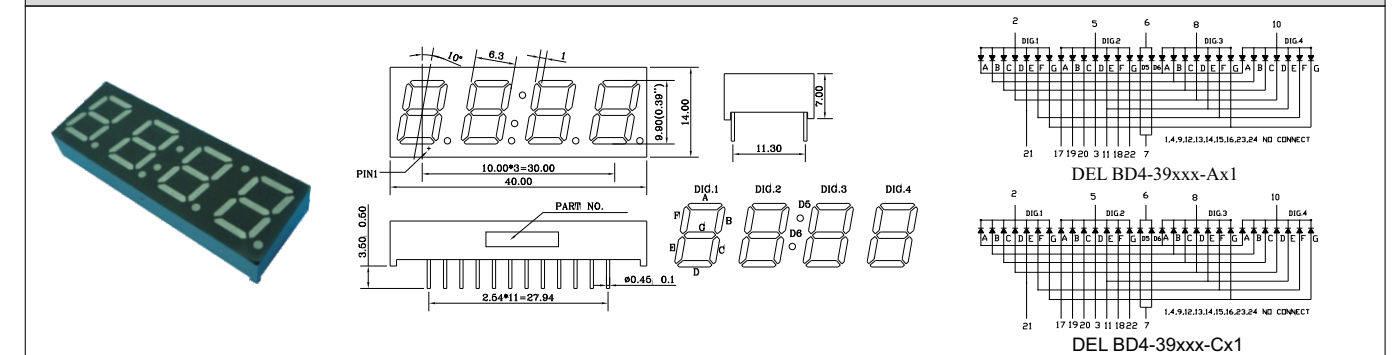
Digit Size	Part No.		Chip	Electro-optical Data (At 10mA)
	Common Anode	Common Cathode		
0.30"	DEL BD4-301UB-A12	DEL BD4-301UB-C12	InGaN/SiC Blue Chip	Wave Length λ d(nm) 465, VF (V) Typ. 3.2, Iv.Typ. Per. Seg. (mcd) 12
	DEL BD4-301PG-A12	DEL BD4-301PG-C12	InGaN/SiC Pure Green Chip	Wave Length λ d(nm) 525, VF (V) Typ. 3.2, Iv.Typ. Per. Seg. (mcd) 18
	DEL BD4-301GU-A12	DEL BD4-301GU-C12	Gap/Gap Yellow Green Chip	Wave Length λ d(nm) 570, VF (V) Typ. 2.15, Iv.Typ. Per. Seg. (mcd) 2.5
	DEL BD4-301UG-A12	DEL BD4-301UG-C12	AlGaInP/GaAs Yellow Green Chip	Wave Length λ d(nm) 570, VF (V) Typ. 2.1, Iv.Typ. Per. Seg. (mcd) 4.5
	DEL BD4-301HY-A12	DEL BD4-301HY-C12	GaAsP/GaP Yellow Chip	Wave Length λ d(nm) 590, VF (V) Typ. 2.1, Iv.Typ. Per. Seg. (mcd) 1.5
	DEL BD4-301UY-A12	DEL BD4-301UY-C12	AlGaInP/GaAs Yellow Chip	Wave Length λ d(nm) 590, VF (V) Typ. 2.05, Iv.Typ. Per. Seg. (mcd) 15
	DEL BD4-301YO-A12	DEL BD4-301YO-C12	AlGaInP/GaAs Orange Chip	Wave Length λ d(nm) 605, VF (V) Typ. 2.05, Iv.Typ. Per. Seg. (mcd) 15
	DEL BD4-301HO-A12	DEL BD4-301HO-C12	GaAsP/GaP Orange Chip	Wave Length λ d(nm) 625, VF (V) Typ. 2, Iv.Typ. Per. Seg. (mcd) 1.5
	DEL BD4-301UR-A12	DEL BD4-301UR-C12	AlGaInP/GaAs Red Chip	Wave Length λ d(nm) 630, VF (V) Typ. 1.95, Iv.Typ. Per. Seg. (mcd) 10
	DEL BD4-301SR-A12	DEL BD4-301SR-C12	AlGaAs/GaAs Red Chip	Wave Length λ d(nm) 643, VF (V) Typ. 1.85, Iv.Typ. Per. Seg. (mcd) 1.5

FD-05 DEL BD4-30xxx-xx2



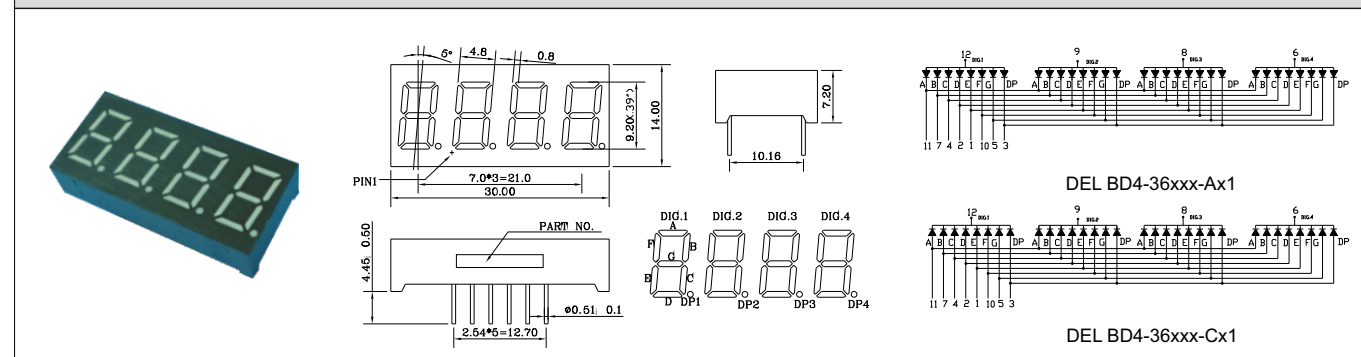
Digit Size	Part No.		Chip	Electro-optical Data (At 10mA)
	Common Anode	Common Cathode		
0.39"	DEL BD4-391UB-A11	DEL BD4-391UB-C11	InGaN/SiC Blue Chip	Wave Length λ d(nm) 465, VF (V) Typ. 3.2, Iv.Typ. Per. Seg. (mcd) 12
	DEL BD4-391PG-A11	DEL BD4-391PG-C11	InGaN/SiC Pure Green Chip	Wave Length λ d(nm) 525, VF (V) Typ. 3.2, Iv.Typ. Per. Seg. (mcd) 18
	DEL BD4-391GU-A11	DEL BD4-391GU-C11	Gap/Gap Yellow Green Chip	Wave Length λ d(nm) 570, VF (V) Typ. 2.15, Iv.Typ. Per. Seg. (mcd) 2.5
	DEL BD4-391UG-A11	DEL BD4-391UG-C11	AlGaInP/GaAs Yellow Green Chip	Wave Length λ d(nm) 570, VF (V) Typ. 2.1, Iv.Typ. Per. Seg. (mcd) 4.5
	DEL BD4-391HY-A11	DEL BD4-391HY-C11	GaAsP/GaP Yellow Chip	Wave Length λ d(nm) 590, VF (V) Typ. 2.1, Iv.Typ. Per. Seg. (mcd) 1.5
	DEL BD4-391UY-A11	DEL BD4-391UY-C11	AlGaInP/GaAs Yellow Chip	Wave Length λ d(nm) 590, VF (V) Typ. 2.05, Iv.Typ. Per. Seg. (mcd) 15
	DEL BD4-391YO-A11	DEL BD4-391YO-C11	AlGaInP/GaAs Orange Chip	Wave Length λ d(nm) 605, VF (V) Typ. 2.05, Iv.Typ. Per. Seg. (mcd) 15
	DEL BD4-391HO-A11	DEL BD4-391HO-C11	GaAsP/GaP Orange Chip	Wave Length λ d(nm) 625, VF (V) Typ. 2, Iv.Typ. Per. Seg. (mcd) 1.5
	DEL BD4-391UR-A11	DEL BD4-391UR-C11	AlGaInP/GaAs Red Chip	Wave Length λ d(nm) 630, VF (V) Typ. 1.95, Iv.Typ. Per. Seg. (mcd) 10
	DEL BD4-391SR-A11	DEL BD4-391SR-C11	AlGaAs/GaAs Red Chip	Wave Length λ d(nm) 643, VF (V) Typ. 1.85, Iv.Typ. Per. Seg. (mcd) 1.5

FD-07 DEL BD4-39xxx-xx1



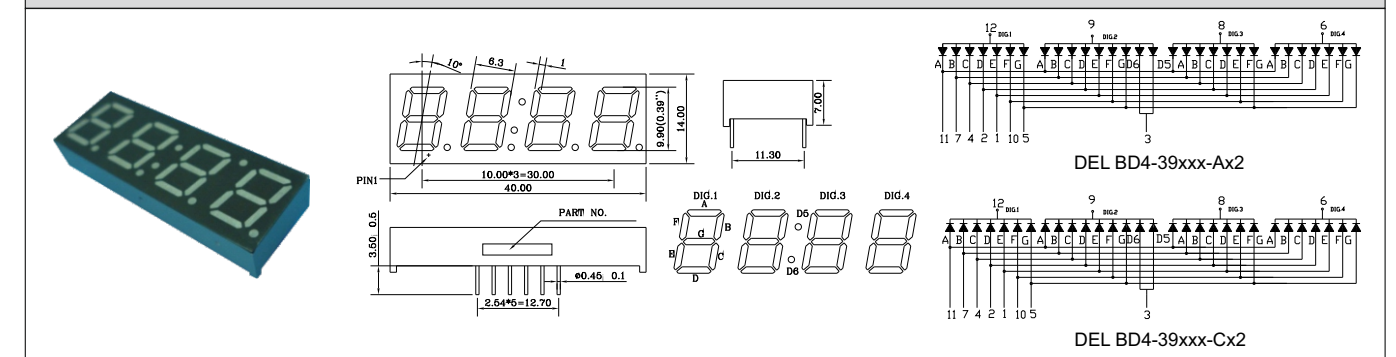
Digit Size	Part No.		Chip	Electro-optical Data (At 10mA)
	Common Anode	Common Cathode		
0.36"	DEL BD4-361UB-A11	DEL BD4-361UB-C11	InGaN/SiC Blue Chip	Wave Length λ d(nm) 465, VF (V) Typ. 3.2, Iv.Typ. Per. Seg. (mcd) 12
	DEL BD4-361PG-A11	DEL BD4-361PG-C11	InGaN/SiC Pure Green Chip	Wave Length λ d(nm) 525, VF (V) Typ. 3.2, Iv.Typ. Per. Seg. (mcd) 18
	DEL BD4-361GU-A11	DEL BD4-361GU-C11	Gap/Gap Yellow Green Chip	Wave Length λ d(nm) 570, VF (V) Typ. 2.15, Iv.Typ. Per. Seg. (mcd) 2.5
	DEL BD4-361UG-A11	DEL BD4-361UG-C11	AlGaInP/GaAs Yellow Green Chip	Wave Length λ d(nm) 570, VF (V) Typ. 2.1, Iv.Typ. Per. Seg. (mcd) 4.5
	DEL BD4-361HY-A11	DEL BD4-361HY-C11	GaAsP/GaP Yellow Chip	Wave Length λ d(nm) 590, VF (V) Typ. 2.1, Iv.Typ. Per. Seg. (mcd) 1.5
	DEL BD4-361UY-A11	DEL BD4-361UY-C11	AlGaInP/GaAs Yellow Chip	Wave Length λ d(nm) 590, VF (V) Typ. 2.05, Iv.Typ. Per. Seg. (mcd) 15
	DEL BD4-361YO-A11	DEL BD4-361YO-C11	AlGaInP/GaAs Orange Chip	Wave Length λ d(nm) 605, VF (V) Typ. 2.05, Iv.Typ. Per. Seg. (mcd) 15
	DEL BD4-361HO-A11	DEL BD4-361HO-C11	GaAsP/GaP Orange Chip	Wave Length λ d(nm) 625, VF (V) Typ. 2, Iv.Typ. Per. Seg. (mcd) 1.5
	DEL BD4-361UR-A11	DEL BD4-361UR-C11	AlGaInP/GaAs Red Chip	Wave Length λ d(nm) 630, VF (V) Typ. 1.95, Iv.Typ. Per. Seg. (mcd) 10
	DEL BD4-361SR-A11	DEL BD4-361SR-C11	AlGaAs/GaAs Red Chip	Wave Length λ d(nm) 643, VF (V) Typ. 1.85, Iv.Typ. Per. Seg. (mcd) 1.5

FD-06 DEL BD4-36xxx-xx1



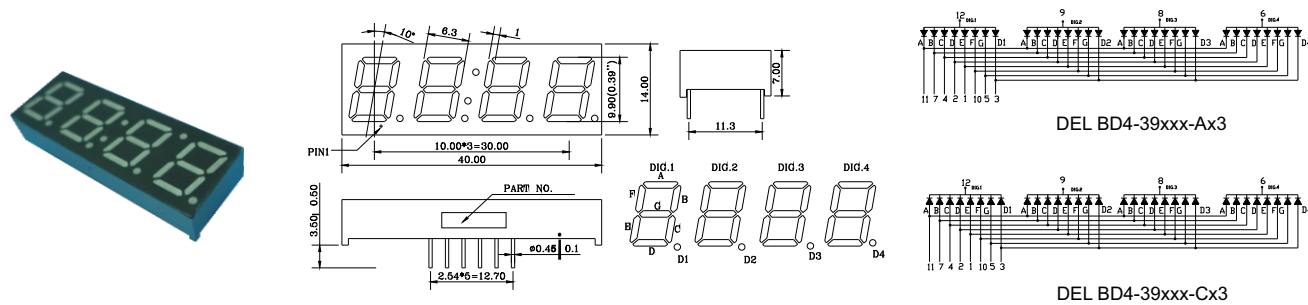
Digit Size	Part No.		Chip	Electro-optical Data (At 10mA)
	Common Anode	Common Cathode		
0.39"	DEL BD4-391UB-A12	DEL BD4-391UB-C12	InGaN/SiC Blue Chip	Wave Length λ d(nm) 465, VF (V) Typ. 3.2, Iv.Typ. Per. Seg. (mcd) 12
	DEL BD4-391PG-A12	DEL BD4-391PG-C12	InGaN/SiC Pure Green Chip	Wave Length λ d(nm) 525, VF (V) Typ. 3.2, Iv.Typ. Per. Seg. (mcd) 18
	DEL BD4-391GU-A12	DEL BD4-391GU-C12	Gap/Gap Yellow Green Chip	Wave Length λ d(nm) 570, VF (V) Typ. 2.15, Iv.Typ. Per. Seg. (mcd) 2.5
	DEL BD4-391UG-A12	DEL BD4-391UG-C12	AlGaInP/GaAs Yellow Green Chip	Wave Length λ d(nm) 570, VF (V) Typ. 2.1, Iv.Typ. Per. Seg. (mcd) 4.5
	DEL BD4-391HY-A12	DEL BD4-391HY-C12	GaAsP/GaP Yellow Chip	Wave Length λ d(nm) 590, VF (V) Typ. 2.1, Iv.Typ. Per. Seg. (mcd) 1.5
	DEL BD4-391UY-A12	DEL BD4-391UY-C12	AlGaInP/GaAs Yellow Chip	Wave Length λ d(nm) 590, VF (V) Typ. 2.05, Iv.Typ. Per. Seg. (mcd) 15
	DEL BD4-391YO-A12	DEL BD4-391YO-C12	AlGaInP/GaAs Orange Chip	Wave Length λ d(nm) 605, VF (V) Typ. 2.05, Iv.Typ. Per. Seg. (mcd) 15
	DEL BD4-391HO-A12	DEL BD4-391HO-C12	GaAsP/GaP Orange Chip	Wave Length λ d(nm) 625, VF (V) Typ. 2, Iv.Typ. Per. Seg. (mcd) 1.5
	DEL BD4-391UR-A12	DEL BD4-391UR-C12	AlGaInP/GaAs Red Chip	Wave Length λ d(nm) 630, VF (V) Typ. 1.95, Iv.Typ. Per. Seg. (mcd) 10
	DEL BD4-391SR-A12	DEL BD4-391SR-C12	AlGaAs/GaAs Red Chip	Wave Length λ d(nm) 643, VF (V) Typ. 1.85, Iv.Typ. Per. Seg. (mcd) 1.5

FD-08 DEL BD4-39xxx-xx2



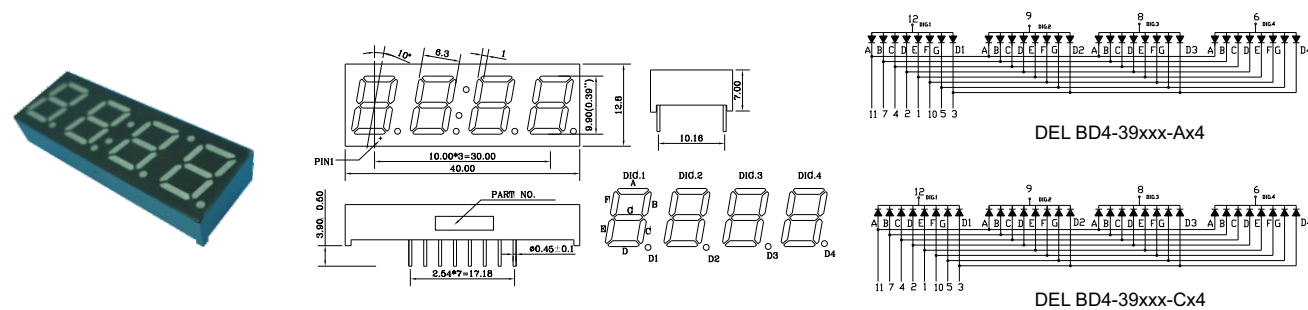
Digit Size	Part No.		Chip	Electro-optical Data (At 10mA)	Electro-optical Data (At 10mA)	
	Common Anode	Common Cathode			Material/Emitted Color	Wave Length λ (nm)
0.39"	DEL BD4-391UB-A13	DEL BD4-391UB-C13	InGaN/SiC Blue Chip	465	3.2	12
	DEL BD4-391PG-A13	DEL BD4-391PG-C13	InGaN/SiC Pure Green Chip	525	3.2	18
	DEL BD4-391GU-A13	DEL BD4-391GU-C13	Gap/Gap Yellow Green Chip	570	2.15	2.5
	DEL BD4-391UG-A13	DEL BD4-391UG-C13	AlGaInP/GaAs Yellow Green Chip	570	2.1	4.5
	DEL BD4-391HY-A13	DEL BD4-391HY-C13	GaAsP/GaP Yellow Chip	590	2.1	1.5
	DEL BD4-391UY-A13	DEL BD4-391UY-C13	AlGaInP/GaAs Yellow Chip	590	2.05	15
	DEL BD4-391YO-A13	DEL BD4-391YO-C13	AlGaInP/GaAs Orange Chip	605	2.05	15
	DEL BD4-391HO-A13	DEL BD4-391HO-C13	GaAsP/GaP Orange Chip	625	2	1.5
	DEL BD4-391UR-A13	DEL BD4-391UR-C13	AlGaInP/GaAs Red Chip	630	1.95	10
	DEL BD4-391SR-A13	DEL BD4-391SR-C13	AlGaAs/GaAs Red Chip	643	1.85	1.5

FD-09 DEL BD4-39xxx-xx3



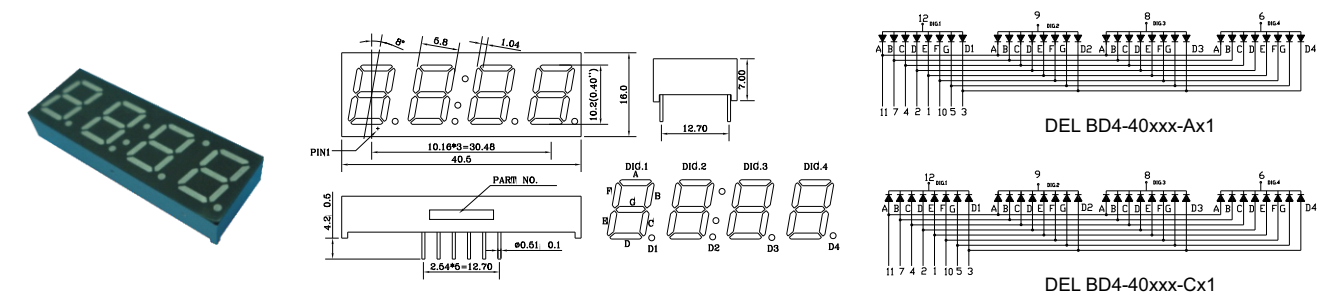
0.39"	DEL BD4-391UB-A14	DEL BD4-391UB-C14	InGaN/SiC Blue Chip	465	3.2	12
	DEL BD4-391PG-A14	DEL BD4-391PG-C14	InGaN/SiC Pure Green Chip	525	3.2	18
	DEL BD4-391GU-A14	DEL BD4-391GU-C14	Gap/Gap Yellow Green Chip	570	2.15	2.5
	DEL BD4-391UG-A14	DEL BD4-391UG-C14	AlGaInP/GaAs Yellow Green Chip	570	2.1	4.5
	DEL BD4-391HY-A14	DEL BD4-391HY-C14	GaAsP/GaP Yellow Chip	590	2.1	1.5
	DEL BD4-391UY-A14	DEL BD4-391UY-C14	AlGaInP/GaAs Yellow Chip	590	2.05	15
	DEL BD4-391YO-A14	DEL BD4-391YO-C14	AlGaInP/GaAs Orange Chip	605	2.05	15
	DEL BD4-391HO-A14	DEL BD4-391HO-C14	GaAsP/GaP Orange Chip	625	2	1.5
	DEL BD4-391UR-A14	DEL BD4-391UR-C14	AlGaInP/GaAs Red Chip	630	1.95	10
	DEL BD4-391SR-A14	DEL BD4-391SR-C14	AlGaAs/GaAs Red Chip	643	1.85	1.5

FD-10 DEL BD4-39xxx-xx4



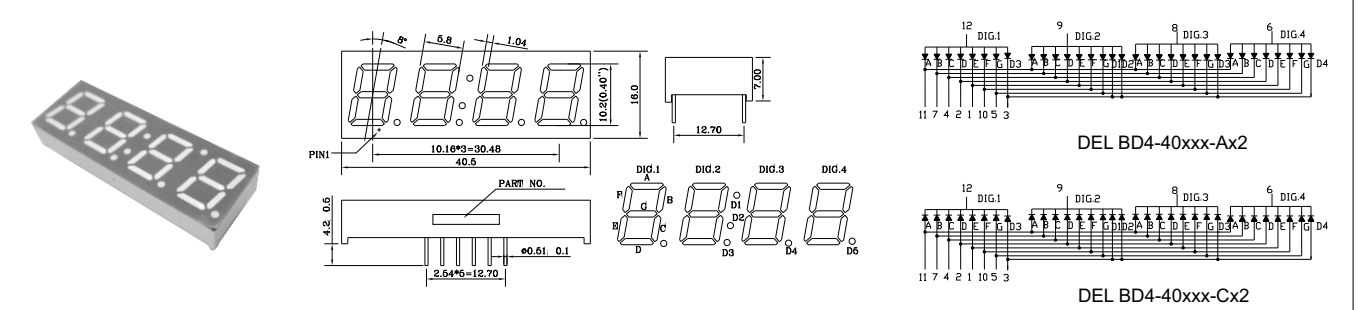
Digit Size	Part No.		Chip	Electro-optical Data (At 10mA)	Electro-optical Data (At 10mA)	
	Common Anode	Common Cathode			Material/Emitted Color	Wave Length λ (nm)
0.40"	DEL BD4-401UB-A11	DEL BD4-401UB-C11	InGaN/SiC Blue Chip	465	3.2	12
	DEL BD4-401PG-A11	DEL BD4-401PG-C11	InGaN/SiC Pure Green Chip	525	3.2	18
	DEL BD4-401GU-A11	DEL BD4-401GU-C11	Gap/Gap Yellow Green Chip	570	2.15	2.5
	DEL BD4-401UG-A11	DEL BD4-401UG-C11	AlGaInP/GaAs Yellow Green Chip	570	2.1	4.5
	DEL BD4-401HY-A11	DEL BD4-401HY-C11	GaAsP/GaP Yellow Chip	590	2.1	1.5
	DEL BD4-401UY-A11	DEL BD4-401UY-C11	AlGaInP/GaAs Yellow Chip	590	2.05	15
	DEL BD4-401YO-A11	DEL BD4-401YO-C11	AlGaInP/GaAs Orange Chip	605	2.05	15
	DEL BD4-401HO-A11	DEL BD4-401HO-C11	GaAsP/GaP Orange Chip	625	2	1.5
	DEL BD4-401UR-A11	DEL BD4-401UR-C11	AlGaInP/GaAs Red Chip	630	1.95	10
	DEL BD4-401SR-A11	DEL BD4-401SR-C11	AlGaAs/GaAs Red Chip	643	1.85	1.5

FD-11 DEL BD4-40xxx-xx1



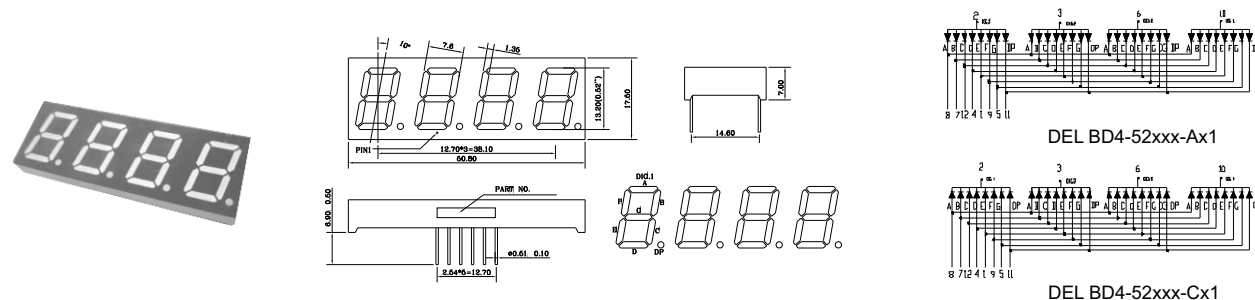
0.40"	DEL BD4-401UB-A12	DEL BD4-401UB-C12	InGaN/SiC Blue Chip	465	3.2	12
	DEL BD4-401PG-A12	DEL BD4-401PG-C12	InGaN/SiC Pure Green Chip	525	3.2	18
	DEL BD4-401GU-A12	DEL BD4-401GU-C12	Gap/Gap Yellow Green Chip	570	2.15	2.5
	DEL BD4-401UG-A12	DEL BD4-401UG-C12	AlGaInP/GaAs Yellow Green Chip	570	2.1	4.5
	DEL BD4-401HY-A12	DEL BD4-401HY-C12	GaAsP/GaP Yellow Chip	590	2.1	1.5
	DEL BD4-401UY-A12	DEL BD4-401UY-C12	AlGaInP/GaAs Yellow Chip	590	2.05	15
	DEL BD4-401YO-A12	DEL BD4-401YO-C12	AlGaInP/GaAs Orange Chip	605	2.05	15
	DEL BD4-401HO-A12	DEL BD4-401HO-C12	GaAsP/GaP Orange Chip	625	2	1.5
	DEL BD4-401UR-A12	DEL BD4-401UR-C12	AlGaInP/GaAs Red Chip	630	1.95	10
	DEL BD4-401SR-A12	DEL BD4-401SR-C12	AlGaAs/GaAs Red Chip	643	1.85	1.5

FD-12 DEL BD4-40xxx-xx2



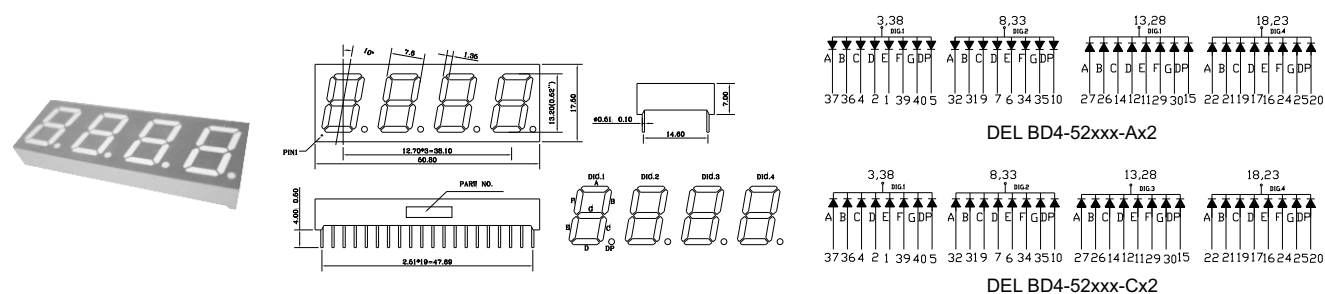
Digit Size	Part No.		Chip	Electro-optical Data (At 10mA)
	Common Anode	Common Cathode		
0.52"	DEL BD4-521UB-A11	DEL BD4-521UB-C11	InGaN/SiC Blue Chip	Wave Length λ (nm): 465, VF (V) Typ.: 3.2, Iv.Typ. Per. Seg. (mcd): 15
	DEL BD4-521TB-A11	DEL BD4-521TB-C11	InGaN/Al2O3 Blue Chip	Wave Length λ (nm): 465, VF (V) Typ.: 3.1, Iv.Typ. Per. Seg. (mcd): 18
	DEL BD4-521PG-A11	DEL BD4-521PG-C11	InGaN/SiC Pure Green Chip	Wave Length λ (nm): 525, VF (V) Typ.: 3.2, Iv.Typ. Per. Seg. (mcd): 22
	DEL BD4-521GU-A11	DEL BD4-521GU-C11	Gap/Gap Yellow Green Chip	Wave Length λ (nm): 570, VF (V) Typ.: 2.15, Iv.Typ. Per. Seg. (mcd): 5
	DEL BD4-521UG-A11	DEL BD4-521UG-C11	AlGaInP/GaAs Yellow Green Chip	Wave Length λ (nm): 570, VF (V) Typ.: 2.1, Iv.Typ. Per. Seg. (mcd): 12
	DEL BD4-521HY-A11	DEL BD4-521HY-C11	GaAsP/GaP Yellow Chip	Wave Length λ (nm): 590, VF (V) Typ.: 2.1, Iv.Typ. Per. Seg. (mcd): 3
	DEL BD4-521UY-A11	DEL BD4-521UY-C11	AlGaInP/GaAs Yellow Chip	Wave Length λ (nm): 590, VF (V) Typ.: 2.05, Iv.Typ. Per. Seg. (mcd): 20
	DEL BD4-521YO-A11	DEL BD4-521YO-C11	AlGaInP/GaAs Orange Chip	Wave Length λ (nm): 605, VF (V) Typ.: 2.05, Iv.Typ. Per. Seg. (mcd): 20
	DEL BD4-521HO-A11	DEL BD4-521HO-C11	GaAsP/GaP Orange Chip	Wave Length λ (nm): 625, VF (V) Typ.: 2, Iv.Typ. Per. Seg. (mcd): 3
	DEL BD4-521UR-A11	DEL BD4-521UR-C11	AlGaInP/GaAs Red Chip	Wave Length λ (nm): 630, VF (V) Typ.: 1.95, Iv.Typ. Per. Seg. (mcd): 15
	DEL BD4-521SR-A11	DEL BD4-521SR-C11	AlGaAs/GaAs Red Chip	Wave Length λ (nm): 643, VF (V) Typ.: 1.85, Iv.Typ. Per. Seg. (mcd): 6

FD-13 DEL BD4-52xxx-xx1



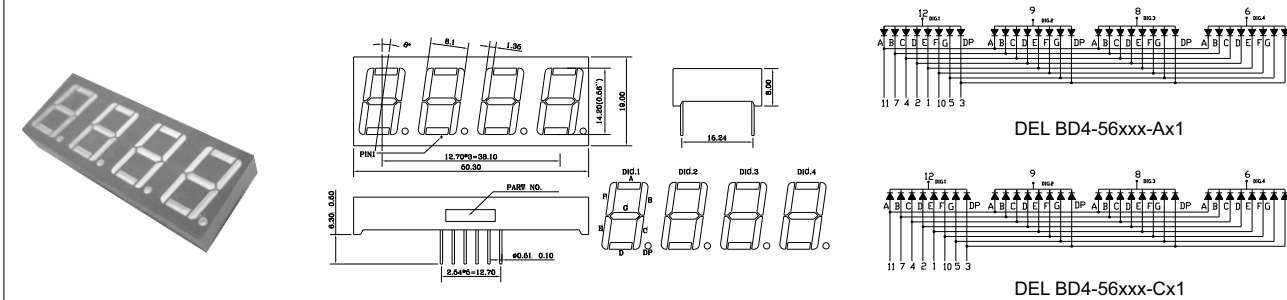
0.52"	DEL BD4-521UB-A12	DEL BD4-521UB-C12	InGaN/SiC Blue Chip	465	3.2	15
	DEL BD4-521TB-A12	DEL BD4-521TB-C12	InGaN/Al2O3 Blue Chip	465	3.1	18
	DEL BD4-521PG-A12	DEL BD4-521PG-C12	InGaN/SiC Pure Green Chip	525	3.2	22
	DEL BD4-521GU-A12	DEL BD4-521GU-C12	Gap/Gap Yellow Green Chip	570	2.15	5
	DEL BD4-521UG-A12	DEL BD4-521UG-C12	AlGaInP/GaAs Yellow Green Chip	570	2.1	12
	DEL BD4-521HY-A12	DEL BD4-521HY-C12	GaAsP/GaP Yellow Chip	590	2.1	3
	DEL BD4-521UY-A12	DEL BD4-521UY-C12	AlGaInP/GaAs Yellow Chip	590	2.05	20
	DEL BD4-521YO-A12	DEL BD4-521YO-C12	AlGaInP/GaAs Orange Chip	605	2.05	20
	DEL BD4-521HO-A12	DEL BD4-521HO-C12	GaAsP/GaP Orange Chip	625	2	3
	DEL BD4-521UR-A12	DEL BD4-521UR-C12	AlGaInP/GaAs Red Chip	630	1.95	15
	DEL BD4-521SR-A12	DEL BD4-521SR-C12	AlGaAs/GaAs Red Chip	643	1.85	6

FD-14 DEL BD4-52xxx-xx2



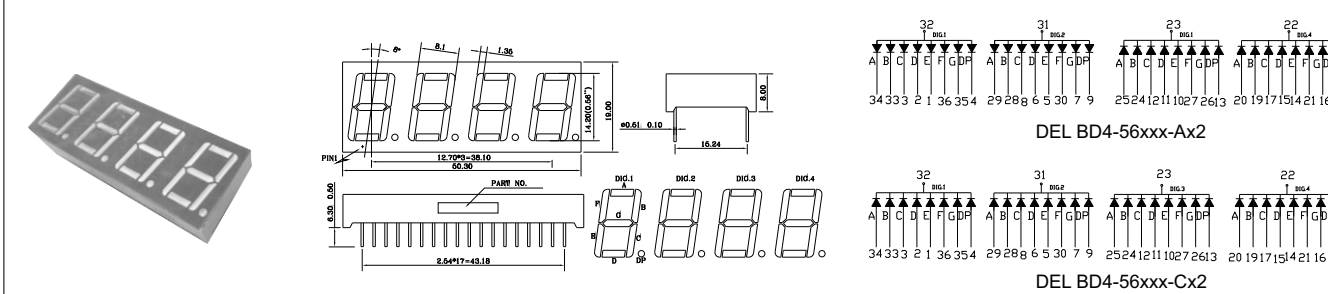
Digit Size	Part No.		Chip	Electro-optical Data (At 10mA)
	Common Anode	Common Cathode		
0.56"	DEL BD4-561UB-A11	DEL BD4-561UB-C11	InGaN/SiC Blue Chip	Wave Length λ (nm): 465, VF (V) Typ.: 3.2, Iv.Typ. Per. Seg. (mcd): 15
	DEL BD4-561TB-A11	DEL BD4-561TB-C11	InGaN/Al2O3 Blue Chip	Wave Length λ (nm): 465, VF (V) Typ.: 3.1, Iv.Typ. Per. Seg. (mcd): 18
	DEL BD4-561PG-A11	DEL BD4-561PG-C11	InGaN/SiC Pure Green Chip	Wave Length λ (nm): 525, VF (V) Typ.: 3.2, Iv.Typ. Per. Seg. (mcd): 22
	DEL BD4-561GU-A11	DEL BD4-561GU-C11	Gap/Gap Yellow Green Chip	Wave Length λ (nm): 570, VF (V) Typ.: 2.15, Iv.Typ. Per. Seg. (mcd): 5
	DEL BD4-561UG-A11	DEL BD4-561UG-C11	AlGaInP/GaAs Yellow Green Chip	Wave Length λ (nm): 570, VF (V) Typ.: 2.1, Iv.Typ. Per. Seg. (mcd): 12
	DEL BD4-561HY-A11	DEL BD4-561HY-C11	GaAsP/GaP Yellow Chip	Wave Length λ (nm): 590, VF (V) Typ.: 2.1, Iv.Typ. Per. Seg. (mcd): 3
	DEL BD4-561UY-A11	DEL BD4-561UY-C11	AlGaInP/GaAs Yellow Chip	Wave Length λ (nm): 590, VF (V) Typ.: 2.05, Iv.Typ. Per. Seg. (mcd): 20
	DEL BD4-561YO-A11	DEL BD4-561YO-C11	AlGaInP/GaAs Orange Chip	Wave Length λ (nm): 605, VF (V) Typ.: 2.05, Iv.Typ. Per. Seg. (mcd): 20
	DEL BD4-561HO-A11	DEL BD4-561HO-C11	GaAsP/GaP Orange Chip	Wave Length λ (nm): 625, VF (V) Typ.: 2, Iv.Typ. Per. Seg. (mcd): 3
	DEL BD4-561UR-A11	DEL BD4-561UR-C11	AlGaInP/GaAs Red Chip	Wave Length λ (nm): 630, VF (V) Typ.: 1.95, Iv.Typ. Per. Seg. (mcd): 15
	DEL BD4-561SR-A11	DEL BD4-561SR-C11	AlGaAs/GaAs Red Chip	Wave Length λ (nm): 643, VF (V) Typ.: 1.85, Iv.Typ. Per. Seg. (mcd): 6

FD-15 DEL BD4-56xxx-xx1



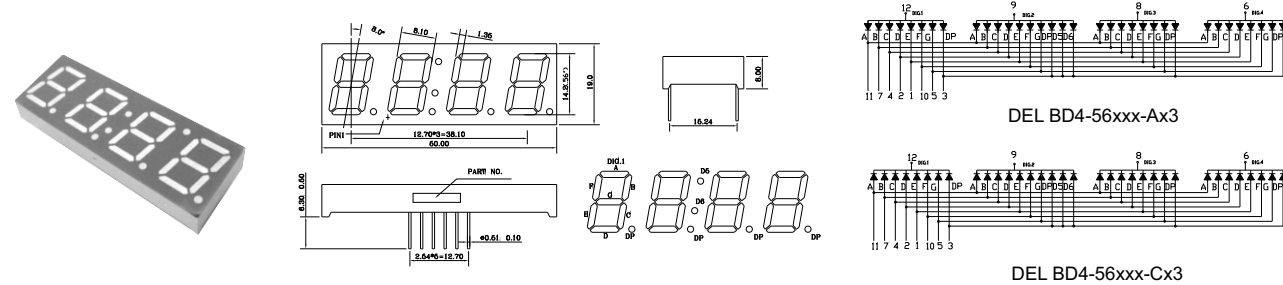
0.56"	DEL BD4-561UB-A12	DEL BD4-561UB-C12	InGaN/SiC Blue Chip	465	3.2	15
	DEL BD4-561TB-A12	DEL BD4-561TB-C12	InGaN/Al2O3 Blue Chip	465	3.1	18
	DEL BD4-561PG-A12	DEL BD4-561PG-C12	InGaN/SiC Pure Green Chip	525	3.2	22
	DEL BD4-561GU-A12	DEL BD4-561GU-C12	Gap/Gap Yellow Green Chip	570	2.15	5
	DEL BD4-561UG-A12	DEL BD4-561UG-C12	AlGaInP/GaAs Yellow Green Chip	570	2.1	12
	DEL BD4-561HY-A12	DEL BD4-561HY-C12	GaAsP/GaP Yellow Chip	590	2.1	3
	DEL BD4-561UY-A12	DEL BD4-561UY-C12	AlGaInP/GaAs Yellow Chip	590	2.05	20
	DEL BD4-561YO-A12	DEL BD4-561YO-C12	AlGaInP/GaAs Orange Chip	605	2.05	20
	DEL BD4-561HO-A12	DEL BD4-561HO-C12	GaAsP/GaP Orange Chip	625	2	3
	DEL BD4-561UR-A12	DEL BD4-561UR-C12	AlGaInP/GaAs Red Chip	630	1.95	15
	DEL BD4-561SR-A12	DEL BD4-561SR-C12	AlGaAs/GaAs Red Chip	643	1.85	6

FD-16 DEL BD4-56xxx-xx2



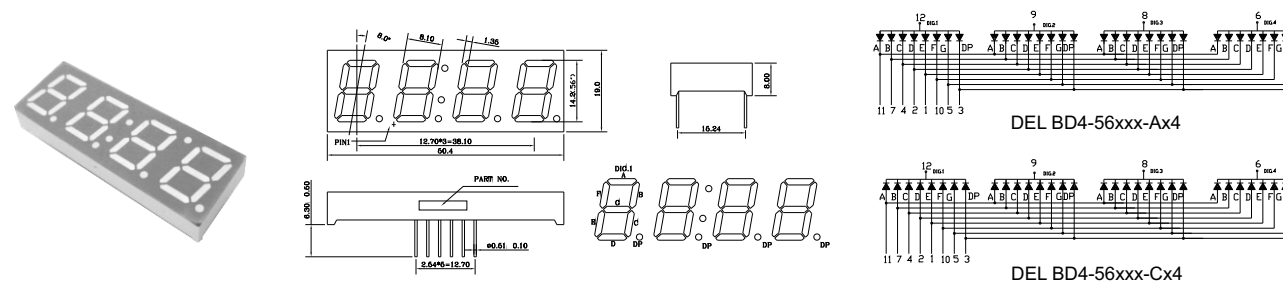
Digit Size	Part No.		Chip	Electro-optical Data (At 10mA)
	Common Anode	Common Cathode		
0.56"	DEL BD4-561UB-A13	DEL BD4-561UB-C13	InGaN/SiC Blue Chip	Wave Length λ d(nm): 465, VF (V) Typ.: 3.2, Iv.Typ. Per. Seg. (mcd): 15
	DEL BD4-561TB-A13	DEL BD4-561TB-C13	InGzN/Al2O3 Blue Chip	Wave Length λ d(nm): 465, VF (V) Typ.: 3.1, Iv.Typ. Per. Seg. (mcd): 18
	DEL BD4-561PG-A13	DEL BD4-561PG-C13	InGaN/SiC Pure Green Chip	Wave Length λ d(nm): 525, VF (V) Typ.: 3.2, Iv.Typ. Per. Seg. (mcd): 22
	DEL BD4-561GU-A13	DEL BD4-561GU-C13	Gap/Gap Yellow Green Chip	Wave Length λ d(nm): 570, VF (V) Typ.: 2.15, Iv.Typ. Per. Seg. (mcd): 5
	DEL BD4-561UG-A13	DEL BD4-561UG-C13	AlGalnP/GaAs Yellow Green Chip	Wave Length λ d(nm): 570, VF (V) Typ.: 2.1, Iv.Typ. Per. Seg. (mcd): 12
	DEL BD4-561HY-A13	DEL BD4-561HY-C13	GaAsP/GaP Yellow Chip	Wave Length λ d(nm): 590, VF (V) Typ.: 2.1, Iv.Typ. Per. Seg. (mcd): 3
	DEL BD4-561UY-A13	DEL BD4-561UY-C13	AlGalnP/GaAs Yellow Chip	Wave Length λ d(nm): 590, VF (V) Typ.: 2.05, Iv.Typ. Per. Seg. (mcd): 20
	DEL BD4-561YO-A13	DEL BD4-561YO-C13	AlGalnP/GaAs Orange Chip	Wave Length λ d(nm): 605, VF (V) Typ.: 2.05, Iv.Typ. Per. Seg. (mcd): 20
	DEL BD4-561HO-A13	DEL BD4-561HO-C13	GaAsP/GaP Orange Chip	Wave Length λ d(nm): 625, VF (V) Typ.: 2, Iv.Typ. Per. Seg. (mcd): 3
	DEL BD4-561UR-A13	DEL BD4-561UR-C13	AlGalnP/GaAs Red Chip	Wave Length λ d(nm): 630, VF (V) Typ.: 1.95, Iv.Typ. Per. Seg. (mcd): 15
	DEL BD4-561SR-A13	DEL BD4-561SR-C13	AlGaAs/GaAs Red Chip	Wave Length λ d(nm): 643, VF (V) Typ.: 1.85, Iv.Typ. Per. Seg. (mcd): 6

FD-17 DEL BD4-56xxx-xx3



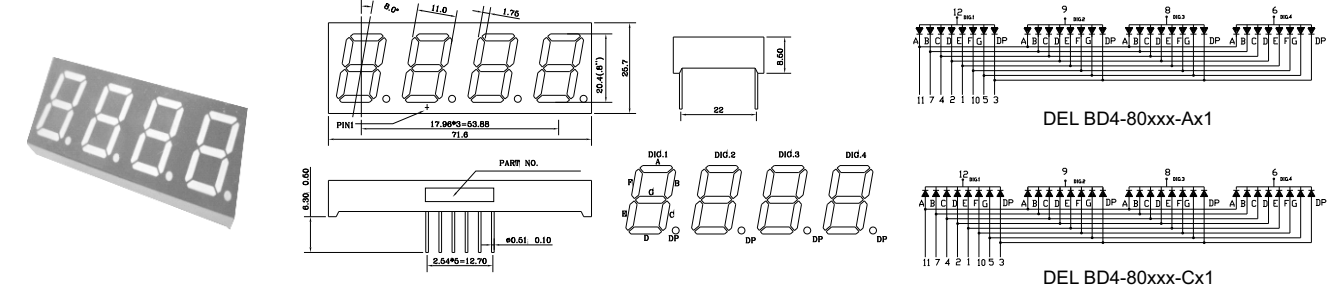
0.56"	DEL BD4-561UB-A14	DEL BD4-561UB-C14	InGaN/SiC Blue Chip	Wave Length λ d(nm): 465, VF (V) Typ.: 3.2, Iv.Typ. Per. Seg. (mcd): 15
	DEL BD4-561TB-A14	DEL BD4-561TB-C14	InGzN/Al2O3 Blue Chip	Wave Length λ d(nm): 465, VF (V) Typ.: 3.1, Iv.Typ. Per. Seg. (mcd): 18
	DEL BD4-561PG-A14	DEL BD4-561PG-C14	InGaN/SiC Pure Green Chip	Wave Length λ d(nm): 525, VF (V) Typ.: 3.2, Iv.Typ. Per. Seg. (mcd): 22
	DEL BD4-561GU-A14	DEL BD4-561GU-C14	Gap/Gap Yellow Green Chip	Wave Length λ d(nm): 570, VF (V) Typ.: 2.15, Iv.Typ. Per. Seg. (mcd): 5
	DEL BD4-561UG-A14	DEL BD4-561UG-C14	AlGalnP/GaAs Yellow Green Chip	Wave Length λ d(nm): 570, VF (V) Typ.: 2.1, Iv.Typ. Per. Seg. (mcd): 12
	DEL BD4-561HY-A14	DEL BD4-561HY-C14	GaAsP/GaP Yellow Chip	Wave Length λ d(nm): 590, VF (V) Typ.: 2.1, Iv.Typ. Per. Seg. (mcd): 3
	DEL BD4-561UY-A14	DEL BD4-561UY-C14	AlGalnP/GaAs Yellow Chip	Wave Length λ d(nm): 590, VF (V) Typ.: 2.05, Iv.Typ. Per. Seg. (mcd): 20
	DEL BD4-561YO-A14	DEL BD4-561YO-C14	AlGalnP/GaAs Orange Chip	Wave Length λ d(nm): 605, VF (V) Typ.: 2.05, Iv.Typ. Per. Seg. (mcd): 20
	DEL BD4-561HO-A14	DEL BD4-561HO-C14	GaAsP/GaP Orange Chip	Wave Length λ d(nm): 625, VF (V) Typ.: 2, Iv.Typ. Per. Seg. (mcd): 3
	DEL BD4-561UR-A14	DEL BD4-561UR-C14	AlGalnP/GaAs Red Chip	Wave Length λ d(nm): 630, VF (V) Typ.: 1.95, Iv.Typ. Per. Seg. (mcd): 15
	DEL BD4-561SR-A14	DEL BD4-561SR-C14	AlGaAs/GaAs Red Chip	Wave Length λ d(nm): 643, VF (V) Typ.: 1.85, Iv.Typ. Per. Seg. (mcd): 6

FD-18 DEL BD4-56xxx-xx4

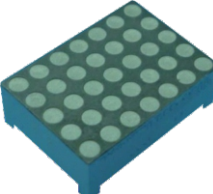
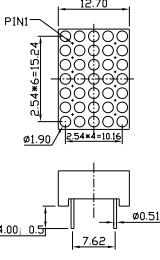
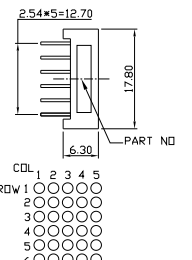
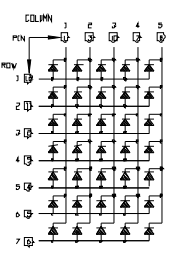
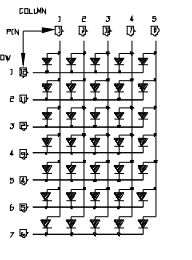
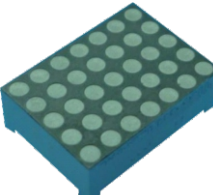
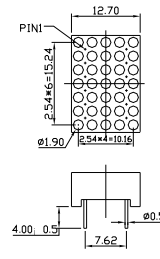
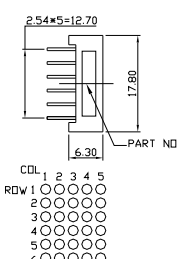
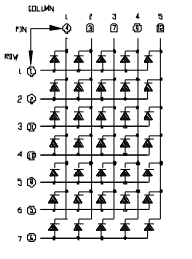
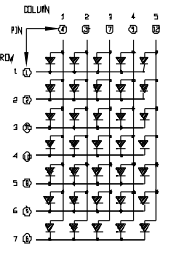


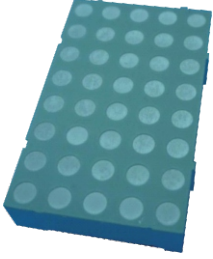
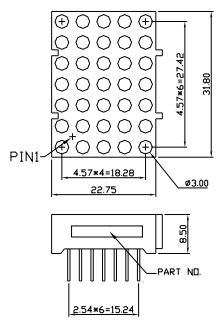
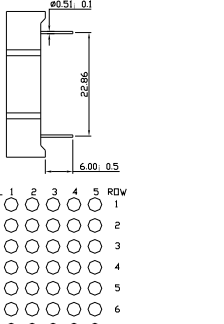
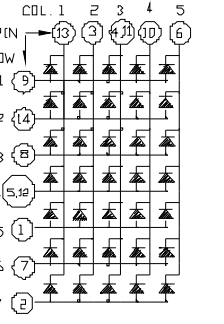
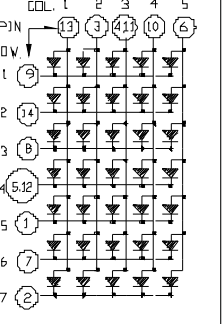
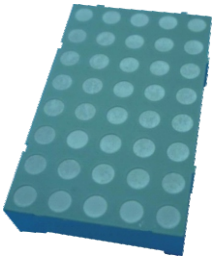
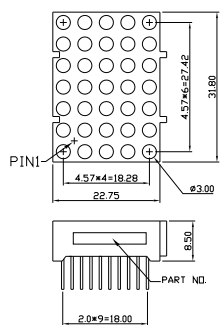
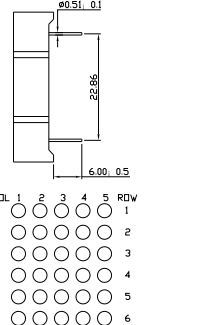
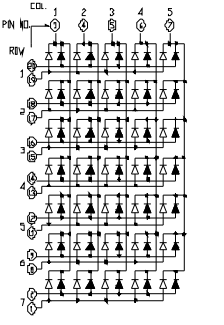
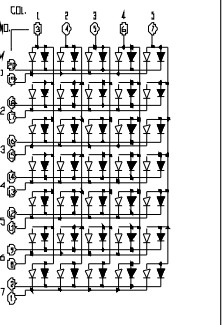
Digit Size	Part No.		Chip	Electro-optical Data (At 10mA)
	Common Anode	Common Cathode		
0.80"	DEL BD4-561UB-A11	DEL BD4-801UB-C11	InGaN/SiC Blue Chip	Wave Length λ d(nm): 465, VF (V) Typ.: 3.2, Iv.Typ. Per. Seg. (mcd): 15
	DEL BD4-801TB-A11	DEL BD4-801TB-C11	InGzN/Al2O3 Blue Chip	Wave Length λ d(nm): 465, VF (V) Typ.: 3.1, Iv.Typ. Per. Seg. (mcd): 18
	DEL BD4-801PG-A11	DEL BD4-801PG-C11	InGaN/SiC Pure Green Chip	Wave Length λ d(nm): 525, VF (V) Typ.: 3.2, Iv.Typ. Per. Seg. (mcd): 22
	DEL BD4-801GU-A11	DEL BD4-801GU-C11	Gap/Gap Yellow Green Chip	Wave Length λ d(nm): 570, VF (V) Typ.: 2.15, Iv.Typ. Per. Seg. (mcd): 5
	DEL BD4-801UG-A11	DEL BD4-801UG-C11	AlGalnP/GaAs Yellow Green Chip	Wave Length λ d(nm): 570, VF (V) Typ.: 2.1, Iv.Typ. Per. Seg. (mcd): 12
	DEL BD4-801HY-A11	DEL BD4-801HY-C11	GaAsP/GaP Yellow Chip	Wave Length λ d(nm): 590, VF (V) Typ.: 2.1, Iv.Typ. Per. Seg. (mcd): 3
	DEL BD4-801UY-A11	DEL BD4-801UY-C11	AlGalnP/GaAs Yellow Chip	Wave Length λ d(nm): 590, VF (V) Typ.: 2.05, Iv.Typ. Per. Seg. (mcd): 20
	DEL BD4-801YO-A11	DEL BD4-801YO-C11	AlGalnP/GaAs Orange Chip	Wave Length λ d(nm): 605, VF (V) Typ.: 2.05, Iv.Typ. Per. Seg. (mcd): 20
	DEL BD4-801HO-A11	DEL BD4-801HO-C11	GaAsP/GaP Orange Chip	Wave Length λ d(nm): 625, VF (V) Typ.: 2, Iv.Typ. Per. Seg. (mcd): 3
	DEL BD4-801UR-A11	DEL BD4-801UR-C11	AlGalnP/GaAs Red Chip	Wave Length λ d(nm): 630, VF (V) Typ.: 1.95, Iv.Typ. Per. Seg. (mcd): 15
	DEL BD4-801SR-A11	DEL BD4-801SR-C11	AlGaAs/GaAs Red Chip	Wave Length λ d(nm): 643, VF (V) Typ.: 1.85, Iv.Typ. Per. Seg. (mcd): 6

FD-19 DEL BD4-80xxx-xx1



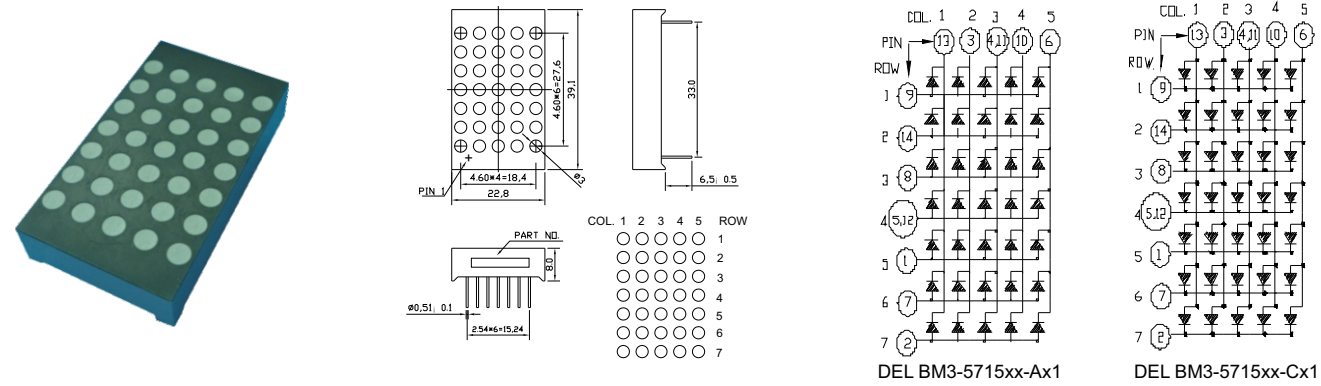
- NOTE: 1.All dimensions are in millimeters (inches).
 2.Tolerance is ± 0.25 mm.
 3.Specifications are subject to change without notice.
 4.NP: No Pin.
 5.NC: No Connect.

5x7 Dot Matrix Display						
Digit Size	Part No.		Chip	Electro-optical Data I _{fp} =40mA 1/8Duty	Electro-optical Data	
	Common Anode	Common Cathode			Material/Emitted Color	Wave Length λd(nm)
0.7" ø2.0 5x7	DEL BM2-5707UB-A111	DEL BM2-5707UB-C111	InGaN/SiC Blue Chip	465	3.2	5.0
	DEL BM2-5707TB-A111	DEL BM2-5707TB-C111	InGaN/Al2O3 Blue Chip	465	3.2	8.0
	DEL BM2-5707PG-A111	DEL BM2-5707PG-C111	InGaN/SiC Pure Green Chip	525	3.2	10
	DEL BM2-5707GU-A111	DEL BM2-5707GU-C111	Gap/Gap Yellow Green Chip	570	2.15	2.0
	DEL BM2-5707UG-A111	DEL BM2-5707UG-C111	AllnGaP/GaAs Yellow Green Chip	570	2.1	4.5
	DEL BM2-5707HY-A111	DEL BM2-5707HY-C111	GaAsP/GaP Yellow Chip	590	2.1	1.2
	DEL BM2-5707UY-A111	DEL BM2-5707UY-C111	AlGalnP/GaAs Yellow Chip	590	2.05	9
	DEL BM2-5707YO-A111	DEL BM2-5707YO-C111	AlGalnP/GaAs Orange Chip	605	2.05	9
	DEL BM2-5707HO-A111	DEL BM2-5707HO-C111	GaAsP/GaP Orange Chip	625	2	1.2
	DEL BM2-5707UR-A111	DEL BM2-5707UR-C111	AlGalnP/GaAs Red Chip	630	1.95	6.0
DEL BM2-5707SR-A111	DEL BM2-5707SR-C111	AlGaAs/GaAs Red Chip	643	1.85	2.5	
MD-01 DEL BM2-5707xx-xxx1						
     <p>DEL BM2-5707xx-Axx1 DEL BM2-5707xx-Cxx1</p>						
0.7" ø2.0 5x7	DEL BM2-5707UB-A112	DEL BM2-5707UB-C112	InGaN/SiC Blue Chip	465	3.2	5.0
	DEL BM2-5707TB-A112	DEL BM2-5707TB-C112	InGaN/Al2O3 Blue Chip	465	3.2	8.0
	DEL BM2-5707PG-A112	DEL BM2-5707PG-C112	InGaN/SiC Pure Green Chip	525	3.2	10
	DEL BM2-5707GU-A112	DEL BM2-5707GU-C112	Gap/Gap Yellow Green Chip	570	2.15	2.0
	DEL BM2-5707UG-A112	DEL BM2-5707UG-C112	AllnGaP/GaAs Yellow Green Chip	570	2.1	4.5
	DEL BM2-5707HY-A112	DEL BM2-5707HY-C112	GaAsP/GaP Yellow Chip	590	2.1	1.2
	DEL BM2-5707UY-A112	DEL BM2-5707UY-C112	AlGalnP/GaAs Yellow Chip	590	2.05	9
	DEL BM2-5707YO-A112	DEL BM2-5707YO-C112	AlGalnP/GaAs Orange Chip	605	2.05	9
	DEL BM2-5707HO-A112	DEL BM2-5707HO-C112	GaAsP/GaP Orange Chip	625	2	1.2
	DEL BM2-5707UR-A112	DEL BM2-5707UR-C112	AlGalnP/GaAs Red Chip	630	1.95	6.0
DEL BM2-5707SR-A112	DEL BM2-5707SR-C112	AlGaAs/GaAs Red Chip	643	1.85	2.5	
MD-02 DEL BM2-5707xx-xxx2						
     <p>DEL BM2-5707xx-Axx2 DEL BM2-5707xx-Cxx2</p>						

5x7 Dot Matrix Display							
Digit Size	Part No.		Chip	Electro-optical Data I _{fp} =40mA 1/8Duty	Electro-optical Data		
	Common Anode	Common Cathode			Material/Emitted Color	Wave Length λd(nm)	Vf (V) Typ.
1.3" ø3.0 5x7	DEL BM3-5713UB-A111	DEL BM3-5713UB-C111	InGaN/SiC Blue Chip	465	3.2	5.0	
	DEL BM3-5713TB-A111	DEL BM3-5713TB-C111	InGaN/Al2O3 Blue Chip	465	3.2	16	
	DEL BM3-5713PG-A111	DEL BM3-5713PG-C111	InGaN/SiC Pure Green Chip	525	3.2	16	
	DEL BM3-5713GU-A111	DEL BM3-5713GU-C111	Gap/Gap Yellow Green Chip	570	2.15	2.5	
	DEL BM3-5713UG-A111	DEL BM3-5713UG-C111	AllnGaP/GaAs Yellow Green Chip	570	2.1	8.0	
	DEL BM3-5713HY-A111	DEL BM3-5713HY-C111	GaAsP/GaP Yellow Chip	590	2.1	1.5	
	DEL BM3-5713UY-A111	DEL BM3-5713UY-C111	AlGalnP/GaAs Yellow Chip	590	2.05	10	
	DEL BM3-5713YO-A111	DEL BM3-5713YO-C111	AlGalnP/GaAs Orange Chip	605	2.05	10	
	DEL BM3-5713HO-A111	DEL BM3-5713HO-C111	GaAsP/GaP Orange Chip	625	2	1.5	
	DEL BM3-5713UR-A111	DEL BM3-5713UR-C111	AlGalnP/GaAs Red Chip	630	1.95	8.0	
	DEL BM3-5713SR-A111	DEL BM3-5713SR-C111	AlGaAs/GaAs Red Chip	643	1.85	4.0	
	MD-03 DEL BM3-5713xx-xxx1						
	     <p>DEL BM3-5713xx-Axx1 DEL BM3-5713xx-Cxx1</p>						
1.3" ø3.0 5x7	DEL BM3-5713D1-A111	DEL BM3-5713D1-C111	GaAsP/GaP Orange Chip	625	2	180cd/m2	
			Gap/Gap Yellow Green Chip	570	2.15		
	DEL BM3-5713D2-A111	DEL BM3-5713D2-C111	AlGaAs/GaAs Red Chip	643	1.85	450cd/m2	
			Gap/Gap Yellow Green Chip	570	2.15		
DEL BM3-5713D3-A111	DEL BM3-5713D3-C111	AlGaAs/GaAs Red Chip	643	1.85	400cd/m2		
		Gap/Gap Yellow Green Chip	570	2.15			
MD-04 DEL BM3-5713Dx-xxx1							
     <p>DEL BM3-5713Dx-Axx1 DEL BM3-5713Dx-Cxx1</p>							

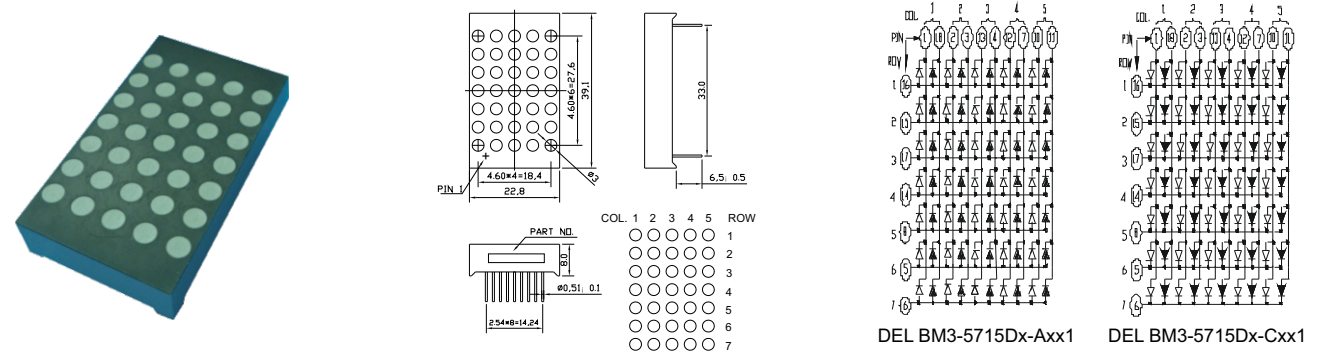
5x7 Dot Matrix Display						
Digit Size	Part No.		Chip		Electro-optical Data I _{fp} =40mA 1/8Duty	
	Common Anode	Common Cathode	Material/Emitted Color	Wave Length λd(nm)	Vf (V) Typ.	Iv.Typ. Per. Dot. (mcd)
1.5" ø3.0 5x7	DEL BM3-5715UB-A111	DEL BM3-5715UB-C111	InGaN/SiC Blue Chip	465	3.2	5.0
	DEL BM3-5715TB-A111	DEL BM3-5715TB-C111	InGaN/Al2O3 Blue Chip	465	3.2	16
	DEL BM3-5715PG-A111	DEL BM3-5715PG-C111	InGaN/SiC Pure Green Chip	525	3.2	16
	DEL BM3-5715GU-A111	DEL BM3-5715GU-C111	Gap/Gap Yellow Green Chip	570	2.15	2.5
	DEL BM3-5715UG-A111	DEL BM3-5715UG-C111	AllnGaP/GaAs Yellow Green Chip	570	2.1	8.0
	DEL BM3-5715HY-A111	DEL BM3-5715HY-C111	GaAsP/GaP Yellow Chip	590	2.1	1.5
	DEL BM3-5715UY-A111	DEL BM3-5715UY-C111	AlGaInP/GaAs Yellow Chip	590	2.05	10
	DEL BM3-5715YO-A111	DEL BM3-5715YO-C111	AlGaInP/GaAs Orange Chip	605	2.05	10
	DEL BM3-5715HO-A111	DEL BM3-5715HO-C111	GaAsP/GaP Orange Chip	625	2	1.5
	DEL BM3-5715UR-A111	DEL BM3-5715UR-C111	AlGaInP/GaAs Red Chip	630	1.95	8.0
	DEL BM3-5715SR-A111	DEL BM3-5715SR-C111	AlGaAs/GaAs Red Chip	643	1.85	4.0

MD-05 DEL BM3-5715xx-xxx1



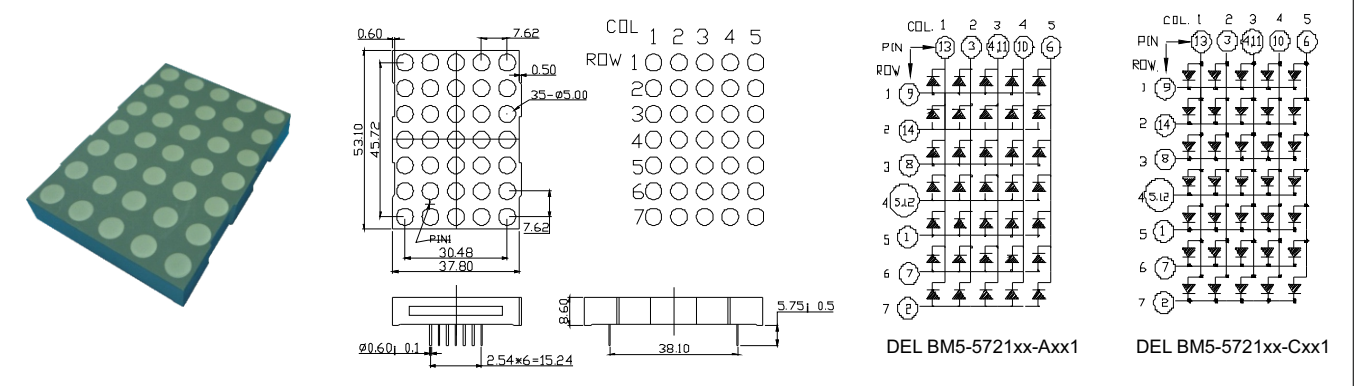
1.5" ø3.0 5x7	DEL BM3-5715D1-A111	DEL BM3-5715D1-C111	GaAsP/GaP Orange Chip	625	2	180cd/m2
			Gap/Gap Yellow Green Chip	570	2.15	
	DEL BM3-5715D2-A111	DEL BM3-5715D2-C111	AlGaAs/GaAs Red Chip	643	1.85	450cd/m2
			Gap/Gap Yellow Green Chip	570	2.15	
	DEL BM3-5715D3-A111	DEL BM3-5715D3-C111	AlGaAs/GaAs Red Chip	643	1.85	400cd/m2
			Gap/Gap Yellow Green Chip	570	2.15	

MD-06 DEL BM3-5715Dx-xxx1



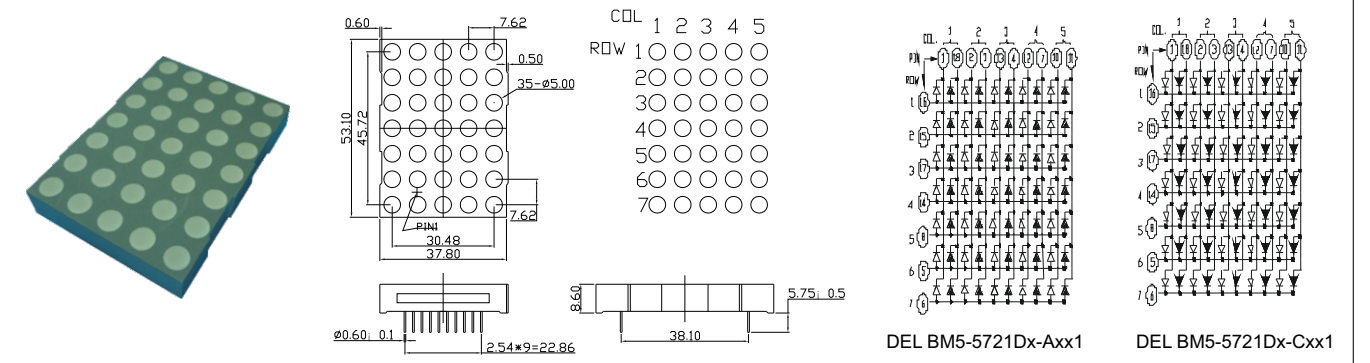
5x7 Dot Matrix Display						
Digit Size	Part No.		Chip		Electro-optical Data I _{fp} =40mA 1/8Duty	
	Common Anode	Common Cathode	Material/Emitted Color	Wave Length λd(nm)	Vf (V) Typ.	Iv.Typ. Per. Dot. (mcd)
2.1" ø5.0 5x7	DEL BM5-5721UB-A111	DEL BM5-5721UB-C111	InGaN/SiC Blue Chip	465	3.2	10
	DEL BM5-5721TB-A111	DEL BM5-5721TB-C111	InGaN/Al2O3 Blue Chip	465	3.2	25
	DEL BM5-5721PG-A111	DEL BM5-5721PG-C111	InGaN/SiC Pure Green Chip	525	3.2	25
	DEL BM5-5721GU-A111	DEL BM5-5721GU-C111	Gap/Gap Yellow Green Chip	570	2.15	3.2
	DEL BM5-5721UG-A111	DEL BM5-5721UG-C111	AllnGaP/GaAs Yellow Green Chip	570	2.1	10
	DEL BM5-5721HY-A111	DEL BM5-5721HY-C111	GaAsP/GaP Yellow Chip	590	2.1	2.0
	DEL BM5-5721UY-A111	DEL BM5-5721UY-C111	AlGaInP/GaAs Yellow Chip	590	2.05	20
	DEL BM5-5721YO-A111	DEL BM5-5721YO-C111	AlGaInP/GaAs Orange Chip	605	2.05	20
	DEL BM5-5721HO-A111	DEL BM5-5721HO-C111	GaAsP/GaP Orange Chip	625	2	2.0
	DEL BM5-5721UR-A111	DEL BM5-5721UR-C111	AlGaInP/GaAs Red Chip	630	1.95	11
	DEL BM5-5721SR-A111	DEL BM5-5721SR-C111	AlGaAs/GaAs Red Chip	643	1.85	7.0

MD-07 DEL BM5-5721xx-xxx1



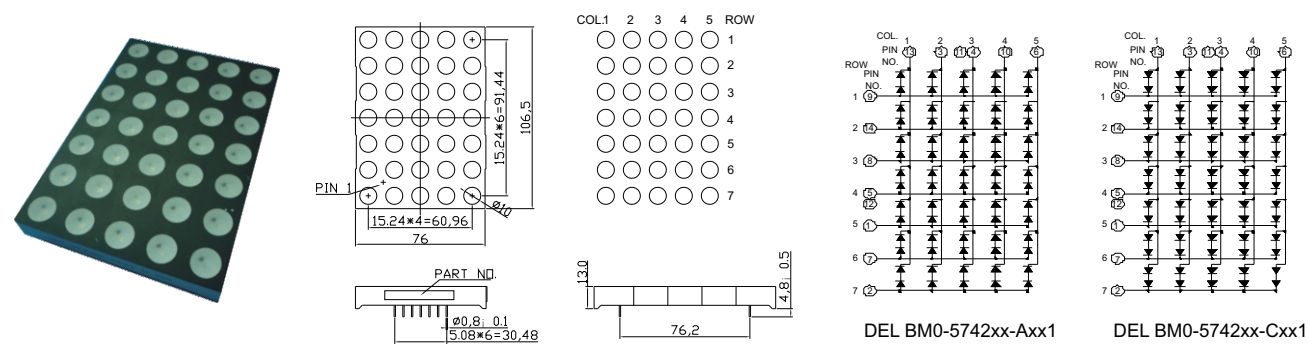
2.1" ø5.0 5x7	DEL BM5-5721D1-A111	DEL BM5-5721D1-C111	GaAsP/GaP Orange Chip	625	2	220cd/m2
			Gap/Gap Yellow Green Chip	570	2.15	
	DEL BM5-5721D2-A111	DEL BM5-5721D2-C111	AlGaAs/GaAs Red Chip	643	1.85	480cd/m2
			Gap/Gap Yellow Green Chip	570	2.15	
	DEL BM5-5721D3-A111	DEL BM5-5721D3-C111	AlGaAs/GaAs Red Chip	643	1.85	450cd/m2
			Gap/Gap Yellow Green Chip	570	2.15	

MD-08 DEL BM5-5721Dx-xxx1



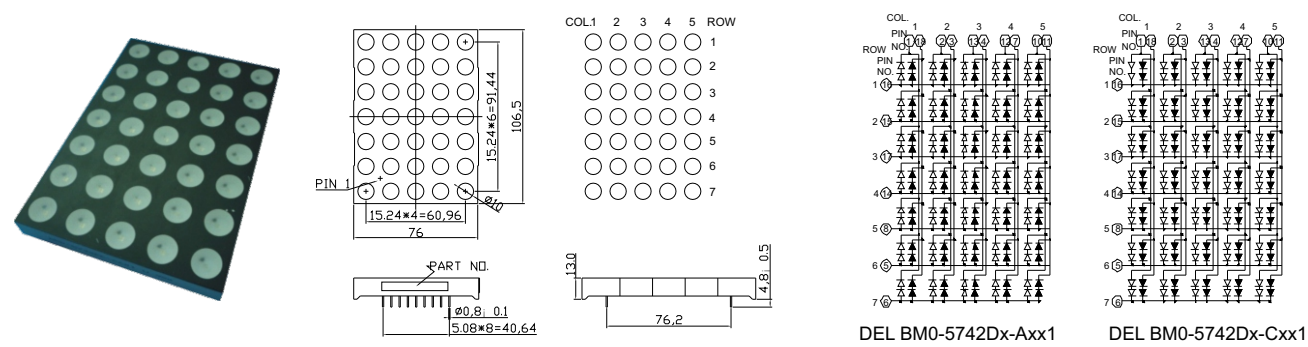
5x7 Dot Matrix Display						
Digit Size	Part No.		Chip		Electro-optical Data I _f =40mA 1/8Duty	
	Common Anode	Common Cathode	Material/Emitted Color	Wave Length λd(nm)	V _F (V) Typ.	I _v .Typ. Per. Dot. (mcd)
4.2" ø10.0 5x7	DEL BM0-5742UB-A112	DEL BM0-5742UB-C112	InGaN/SiC Blue Chip	465	6.4	12
	DEL BM0-5742TB-A112	DEL BM0-5742TB-C112	InGaN/Al2O3 Blue Chip	465	6.2	30
	DEL BM0-5742PG-A112	DEL BM0-5742PG-C112	InGaN/SiC Pure Green Chip	525	6.4	30
	DEL BM0-5742GU-A112	DEL BM0-5742GU-C112	Gap/Gap Yellow Green Chip	570	4.3	3.8
	DEL BM0-5742UG-A112	DEL BM0-5742UG-C112	AllnGaP/GaAs Yellow Green Chip	570	4.2	12
	DEL BM0-5742HY-A112	DEL BM0-5742HY-C112	GaAsP/GaP Yellow Chip	590	4.2	2.4
	DEL BM0-5742UY-A112	DEL BM0-5742UY-C112	AlGaInP/GaAs Yellow Chip	590	4.1	24
	DEL BM0-5742YO-A112	DEL BM0-5742YO-C112	AlGaInP/GaAs Orange Chip	605	4.1	24
	DEL BM0-5742HO-A112	DEL BM0-5742HO-C112	GaAsP/GaP Orange Chip	625	4	2.4
	DEL BM0-5742UR-A112	DEL BM0-5742UR-C112	AlGaInP/GaAs Red Chip	630	3.9	13
	DEL BM0-5742SR-A112	DEL BM0-5742SR-C112	AlGaAs/GaAs Red Chip	643	3.7	8.4

MD-09 DEL BM0-5742xx-xxx1



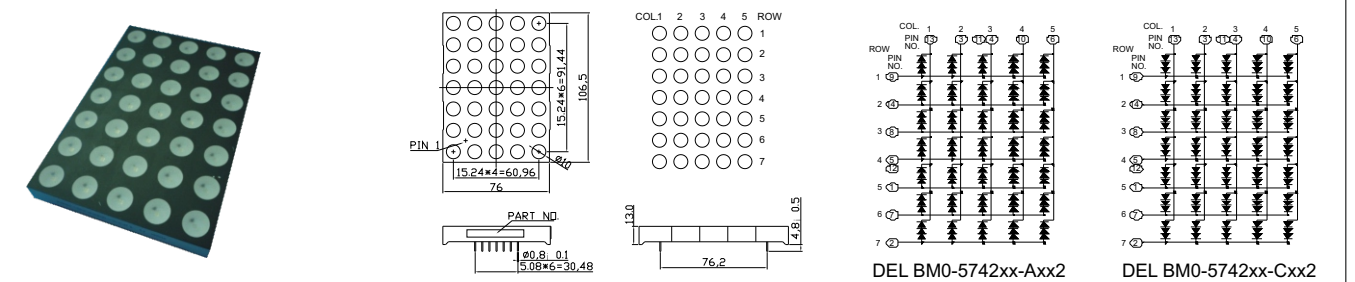
4.2" ø10.0 5x7	DEL BM0-5742D1-A111	DEL BM0-5742D1-C111	GaAsP/GaP Orange Chip	625	4	260cd/m2
			Gap/Gap Yellow Green Chip	570	4.3	
	DEL BM0-5742D2-A111	DEL BM0-5742D2-C111	AlGaAs/GaAs Red Chip	643	3.7	570cd/m2
			Gap/Gap Yellow Green Chip	570	4.3	
DEL BM0-5742D3-A111	DEL BM0-5742D3-C111	AlGaAs/GaAs Red Chip	643	3.7	540cd/m2	
		Gap/Gap Yellow Green Chip	570	4.3		

MD-10 DEL BM0-5742Dx-xxx1



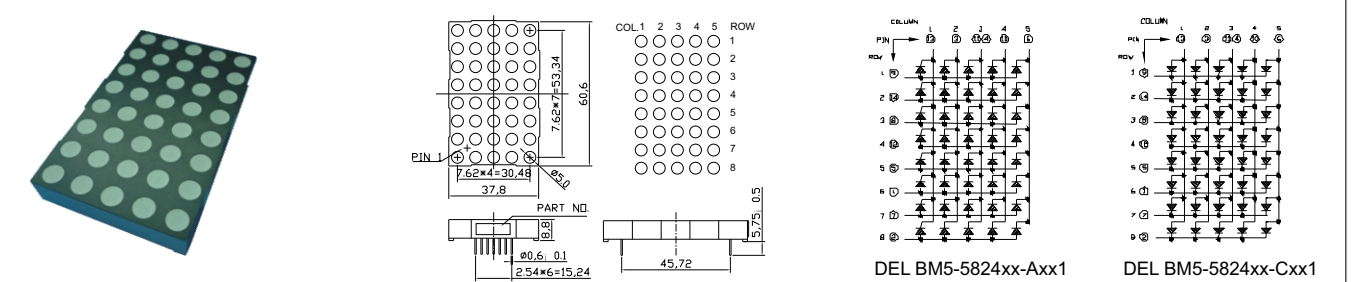
5x7 Dot Matrix Display						
Digit Size	Part No.		Chip		Electro-optical Data I _f =40mA 1/8Duty	
	Common Anode	Common Cathode	Material/Emitted Color	Wave Length λd(nm)	V _F (V) Typ.	I _v .Typ. Per. Dot. (mcd)
4.2" ø10.0 5x7	DEL BM0-5742UB-A112	DEL BM0-5742UB-C112	InGaN/SiC Blue Chip	465	9.6	12
	DEL BM0-5742TB-A112	DEL BM0-5742TB-C112	InGaN/Al2O3 Blue Chip	465	9.3	30
	DEL BM0-5742PG-A112	DEL BM0-5742PG-C112	InGaN/SiC Pure Green Chip	525	9.6	30
	DEL BM0-5742GU-A112	DEL BM0-5742GU-C112	Gap/Gap Yellow Green Chip	570	6.45	3.8
	DEL BM0-5742UG-A112	DEL BM0-5742UG-C112	AllnGaP/GaAs Yellow Green Chip	570	6.3	12
	DEL BM0-5742HY-A112	DEL BM0-5742HY-C112	GaAsP/GaP Yellow Chip	590	6.3	2.4
	DEL BM0-5742UY-A112	DEL BM0-5742UY-C112	AlGaInP/GaAs Yellow Chip	590	6.15	24
	DEL BM0-5742YO-A112	DEL BM0-5742YO-C112	AlGaInP/GaAs Orange Chip	605	6.15	24
	DEL BM0-5742HO-A112	DEL BM0-5742HO-C112	GaAsP/GaP Orange Chip	625	6	2.4
	DEL BM0-5742UR-A112	DEL BM0-5742UR-C112	AlGaInP/GaAs Red Chip	630	5.85	13
	DEL BM0-5742SR-A112	DEL BM0-5742SR-C112	AlGaAs/GaAs Red Chip	643	5.55	8.4

MD-11 DEL BM0-5742xx-xxx2



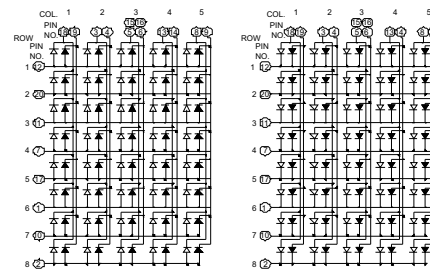
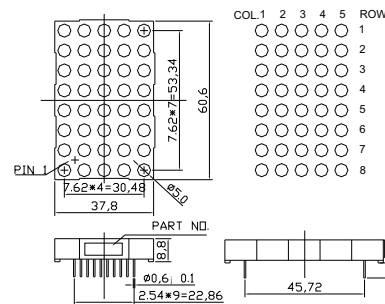
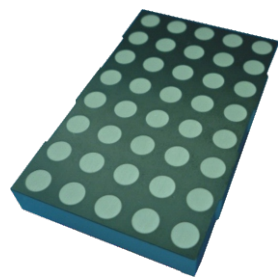
2.4" ø5.0 5x8	DEL BM5-5824UB-A111	DEL BM5-5824UB-C111	InGaN/SiC Blue Chip	465	3.2	10
	DEL BM5-5824TB-A111	DEL BM5-5824TB-C111	InGaN/Al2O3 Blue Chip	465	3.2	25
	DEL BM5-5824PG-A111	DEL BM5-5824PG-C111	InGaN/SiC Pure Green Chip	525	3.2	25
	DEL BM5-5824GU-A111	DEL BM5-5824GU-C111	Gap/Gap Yellow Green Chip	570	2.15	3.2
	DEL BM5-5824UG-A111	DEL BM5-5824UG-C111	AllnGaP/GaAs Yellow Green Chip	570	2.1	10
	DEL BM5-5824HY-A111	DEL BM5-5824HY-C111	GaAsP/GaP Yellow Chip	590	2.1	2.0
	DEL BM5-5824UY-A111	DEL BM5-5824UY-C111	AlGaInP/GaAs Yellow Chip	590	2.05	20
	DEL BM5-5824YO-A111	DEL BM5-5824YO-C111	AlGaInP/GaAs Orange Chip	605	2.05	20
	DEL BM5-5824HO-A111	DEL BM5-5824HO-C111	GaAsP/GaP Orange Chip	625	2	2.0
	DEL BM5-5824UR-A111	DEL BM5-5824UR-C111	AlGaInP/GaAs Red Chip	630	1.95	11
	DEL BM5-5824SR-A111	DEL BM5-5824SR-C111	AlGaAs/GaAs Red Chip	643	1.85	7.0

MD-12 DEL BM5-5824xx-xxx1



5x8 Dot Matrix Display						
Digit Size	Part No.		Chip		Electro-optical Data I _{fp} =40mA 1/8Duty	
	Common Anode	Common Cathode	Material/Emitted Color	Wave Length λd(nm)	V _F (V) Typ.	I _v .Typ. Per. Dot. (mcd)
2.4" ø5.0 5x8	DEL BM5-5824D1-A111	DEL BM5-5824D1-C111	GaAsP/GaP Orange Chip	625	2	200cd/m2
			Gap/Gap Yellow Green Chip	570	2.15	
	DEL BM5-5824D2-A111	DEL BM5-5824D2-C111	AlGaAs/GaAs Red Chip	643	1.85	480cd/m2
			Gap/Gap Yellow Green Chip	570	2.15	
	DEL BM5-5824D3-A111	DEL BM5-5824D3-C111	AlGaAs/GaAs Red Chip	643	1.85	450cd/m2
			Gap/Gap Yellow Green Chip	570	2.15	

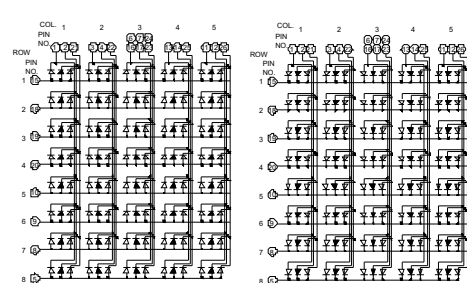
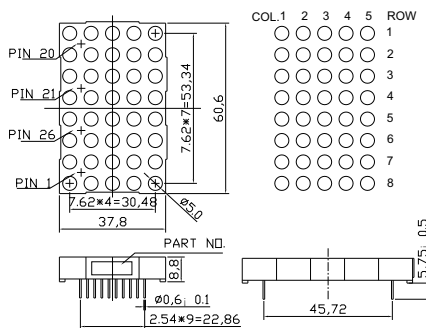
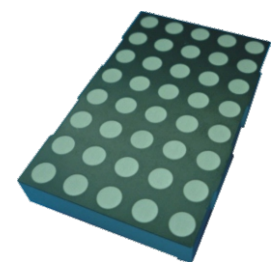
MD-13 DEL BM5-5824Dx-xxx1



DEL BM5-5824Dx-Axx1 BDEL BM5-5824Dx-Cxx1

2.4" ø5.0 5x8	DEL BM5-5824F1-A111	DEL BM5-5824F1-C111	GaAsP/GaP Orange Chip	625	2	
			Gap/Gap Yellow Green Chip	570	2.15	
			InGaN/SiC Blue Chip	465	3.2	
	DEL BM5-5824F2-A111	DEL BM5-5824F2-C111	GaAsP/GaP Orange Chip	625	2	
			InGaN/SiC Pure Green Chip	525	3.2	
			InGaN/SiC Blue Chip	465	3.2	
	DEL BM5-5824F3-A111	DEL BM5-5824F3-C111	AlGaInP Hi-Eff Red Chip	625	2	
			Gap/Gap Yellow Green Chip	570	2.15	
			InGaN/SiC Blue Chip	465	3.2	
	DEL BM5-5824F4-A111	DEL BM5-5824F4-C111	AlGaAs/GaAs Red Chip	643	1.85	
			Gap/Gap Yellow Green Chip	570	2.15	
			InGaN/SiC Blue Chip	465	3.2	

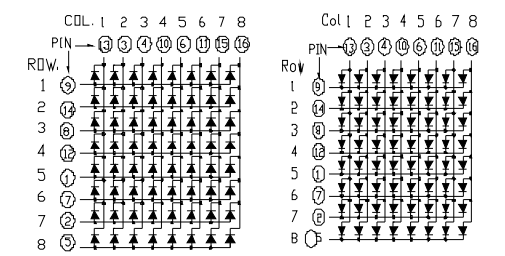
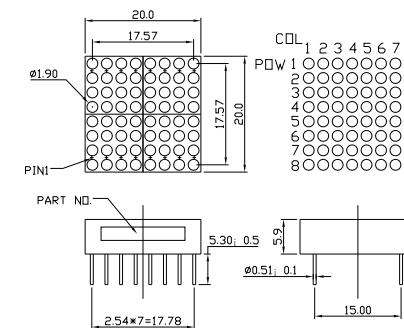
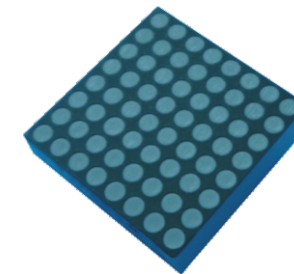
MD-14 DEL BM5-5824Fx-xxx1



DEL BM5-5824Fx-Axx1 DEL BM5-5824Fx-Cxx1

8x8 Dot Matrix Display						
Digit Size	Part No.		Chip		Electro-optical Data I _{fp} =40mA 1/8Duty	
	Common Anode	Common Cathode	Material/Emitted Color	Wave Length λd(nm)	V _F (V) Typ.	I _v .Typ. Per. Dot. (mcd)
0.8" ø2.0 8x8	DEL BM2-8808UB-A111	DEL BM2-8808UB-A111	InGaN/SiC Blue Chip	465	3.2	5.0
	DEL BM2-8808TB-A111	DEL BM2-8808TB-A111	InGaN/Al2O3 Blue Chip	465	3.2	16
	DEL BM2-8808PG-A111	DEL BM2-8808PG-A111	InGaN/SiC Pure Green Chip	525	3.2	16
	DEL BM2-8808GU-A111	DEL BM2-8808GU-A111	Gap/Gap Yellow Green Chip	570	2.15	2.5
	DEL BM2-8808UG-A111	DEL BM2-8808UG-A111	AlInGaP/GaAs Yellow Green Chip	570	2.1	8.0
	DEL BM2-8808HY-A111	DEL BM2-8808HY-A111	GaAsP/GaP Yellow Chip	590	2.1	1.5
	DEL BM2-8808UY-A111	DEL BM2-8808UY-A111	AlGaInP/GaAs Yellow Chip	590	2.05	10
	DEL BM2-8808YO-A111	DEL BM2-8808YO-A111	AlGaInP/GaAs Orange Chip	605	2.05	10
	DEL BM2-8808HO-A111	DEL BM2-8808HO-A111	GaAsP/GaP Orange Chip	625	2	1.5
	DEL BM2-8808UR-A111	DEL BM2-8808UR-A111	AlGaInP/GaAs Red Chip	630	1.95	8.0
DEL BM2-8808SR-A111	DEL BM2-8808SR-A111	AlGaAs/GaAs Red Chip	643	1.85	4.0	

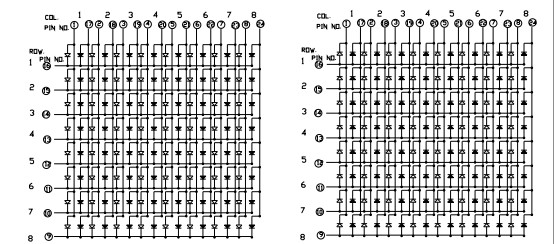
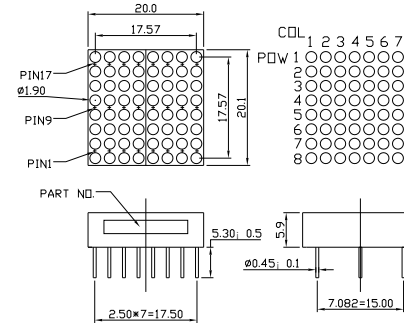
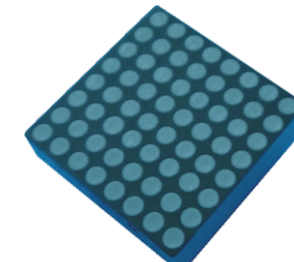
MD-15 DEL BM2-8808xx-xxx1



DEL BM2-8808xx-Axx1 DEL BM2-8808xx-Cxx1

0.8" ø2.0 8x8	DEL BM2-8808D1-A111	DEL BM2-8808D1-C111	GaAsP/GaP Orange Chip	625	2	180cd/m2
			Gap/Gap Yellow Green Chip	570	2.15	
	DEL BM2-8808D2-A111	DEL BM2-8808D2-C111	AlGaAs/GaAs Red Chip	643	1.85	450cd/m2
			Gap/Gap Yellow Green Chip	570	2.15	
	DEL BM2-8808D3-A111	DEL BM2-8808D3-C111	AlGaAs/GaAs Red Chip	643	1.85	400cd/m2
			Gap/Gap Yellow Green Chip	570	2.15	

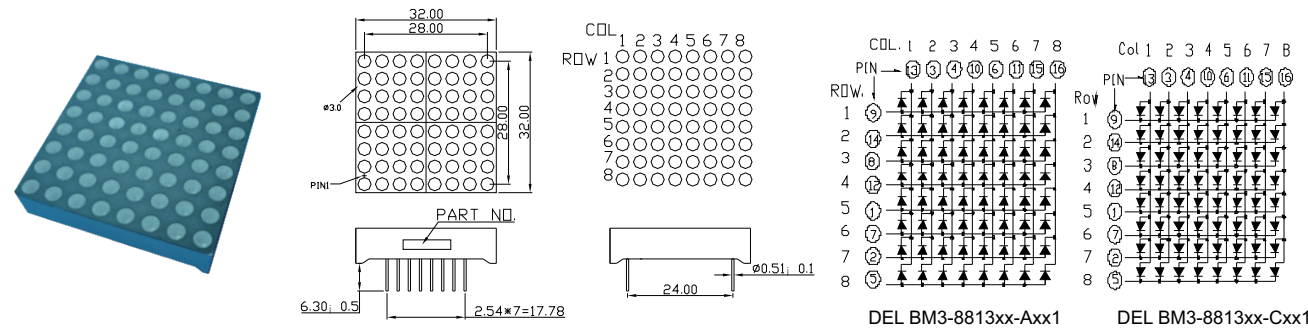
MD-16 DEL BM2-8808Dx-xxx1



DEL BM2-8808Dx-Axx1 DEL BM2-8808Dx-Cxx1

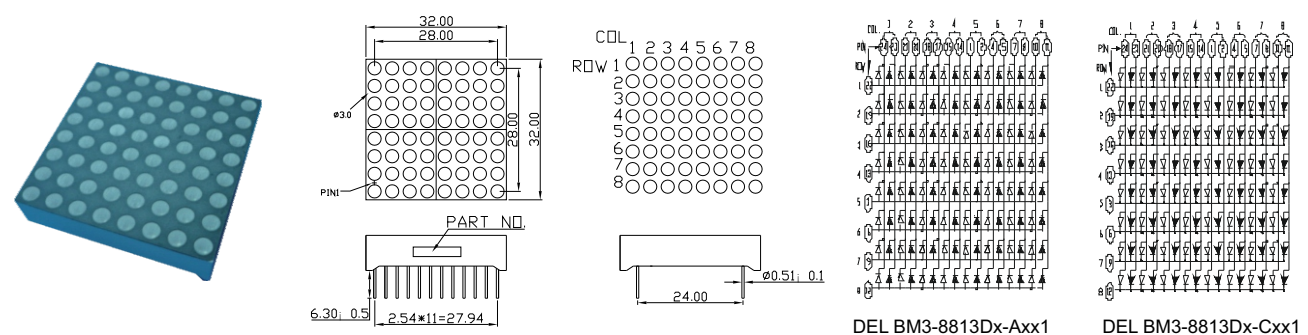
8x8 Dot Matrix Display						
Digit Size	Part No.		Chip		Electro-optical Data I _{fp} =40mA 1/8Duty	
	Common Anode	Common Cathode	Material/Emitted Color	Wave Length λd(nm)	V _F (V) Typ.	I _v .Typ. Per. Dot. (mcd)
1.3" ø3.0 8x8	DEL BM3-8813UB-A111	DEL BM3-8813UB-A111	InGaN/SiC Blue Chip	465	3.2	5.0
	DEL BM3-8813TB-A111	DEL BM3-8813TB-A111	InGaN/Al2O3 Blue Chip	465	3.2	16
	DEL BM3-8813PG-A111	DEL BM3-8813PG-A111	InGaN/SiC Pure Green Chip	525	3.2	16
	DEL BM3-8813GU-A111	DEL BM3-8813GU-A111	Gap/Gap Yellow Green Chip	570	2.15	2.5
	DEL BM3-8813UG-A111	DEL BM3-8813UG-A111	AllnGaP/GaAs Yellow Green Chip	570	2.1	8.0
	DEL BM3-8813HY-A111	DEL BM3-8813HY-A111	GaAsP/GaP Yellow Chip	590	2.1	1.5
	DEL BM3-8813UY-A111	DEL BM3-8813UY-A111	AlGalnP/GaAs Yellow Chip	590	2.05	10
	DEL BM3-8813YO-A111	DEL BM3-8813YO-A111	AlGalnP/GaAs Orange Chip	605	2.05	10
	DEL BM3-8813HO-A111	DEL BM3-8813HO-A111	GaAsP/GaP Orange Chip	625	2	1.5
	DEL BM3-8813UR-A111	DEL BM3-8813UR-A111	AlGalnP/GaAs Red Chip	630	1.95	8.0
	DEL BM3-8813SR-A111	DEL BM3-8813SR-A111	AlGaAs/GaAs Red Chip	643	1.85	4.0

MD-17 DEL BM3-8813xx-xxx1



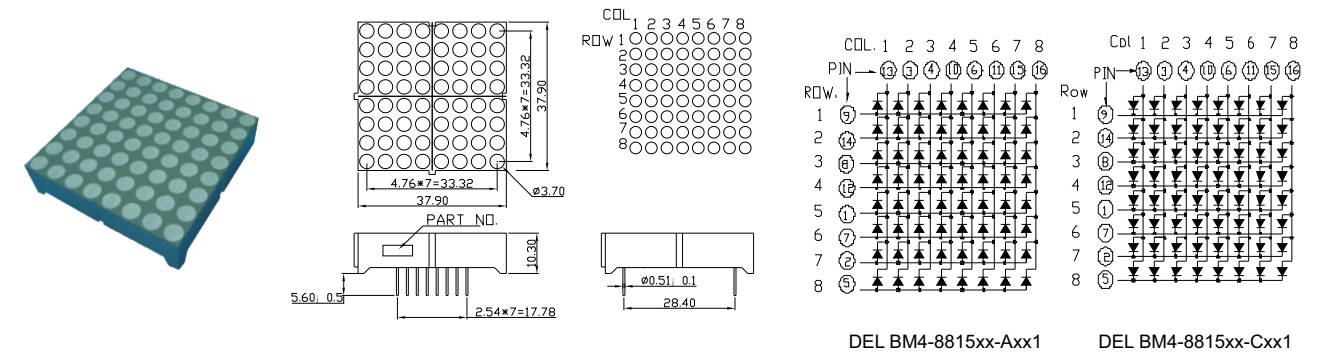
1.3" ø3.0 8x8	DEL BM3-8813D1-A111	DEL BM3-8813D1-C111	GaAsP/GaP Orange Chip	625	2	180cd/m2
			Gap/Gap Yellow Green Chip	570	2.15	
	DEL BM3-8813D2-A111	DEL BM3-8813D2-C111	AlGaAs/GaAs Red Chip	643	1.85	450cd/m2
			Gap/Gap Yellow Green Chip	570	2.15	
	DEL BM3-8813D3-A111	DEL BM3-8813D3-C111	AlGaAs/GaAs Red Chip	643	1.85	400cd/m2
			Gap/Gap Yellow Green Chip	570	2.15	

MD-18 DEL BM3-8813Dx-xxx1



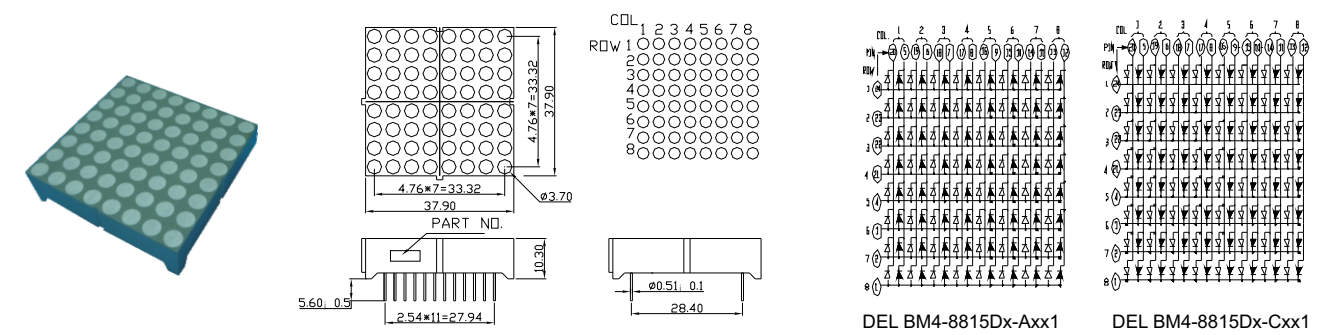
8x8 Dot Matrix Display						
Digit Size	Part No.		Chip		Electro-optical Data I _{fp} =40mA 1/8Duty	
	Common Anode	Common Cathode	Material/Emitted Color	Wave Length λd(nm)	V _F (V) Typ.	I _v .Typ. Per. Dot. (mcd)
1.5" ø3.7 8x8	DEL BM4-8815UB-A111	DEL BM4-8815UB-C111	InGaN/SiC Blue Chip	465	3.2	10.0
	DEL BM4-8815TB-A111	DEL BM4-8815TB-C111	InGaN/Al2O3 Blue Chip	465	3.2	25
	DEL BM4-8815PG-A111	DEL BM4-8815PG-C111	InGaN/SiC Pure Green Chip	525	3.2	25
	DEL BM4-8815GU-A111	DEL BM4-8815GU-C111	Gap/Gap Yellow Green Chip	570	2.15	3.2
	DEL BM4-8815UG-A111	DEL BM4-8815UG-C111	AllnGaP/GaAs Yellow Green Chip	570	2.1	10.0
	DEL BM4-8815HY-A111	DEL BM4-8815HY-C111	GaAsP/GaP Yellow Chip	590	2.1	2.0
	DEL BM4-8815UY-A111	DEL BM4-8815UY-C111	AlGalnP/GaAs Yellow Chip	590	2.05	20
	DEL BM4-8815YO-A111	DEL BM4-8815YO-C111	AlGalnP/GaAs Orange Chip	605	2.05	20
	DEL BM4-8815HO-A111	DEL BM4-8815HO-C111	GaAsP/GaP Orange Chip	625	2	2.0
	DEL BM4-8815UR-A111	DEL BM4-8815UR-C111	AlGalnP/GaAs Red Chip	630	1.95	11.0
	DEL BM4-8815SR-A111	DEL BM4-8815SR-C111	AlGaAs/GaAs Red Chip	643	1.85	7.0

MD-19 DEL BM4-8815xx-xxx1



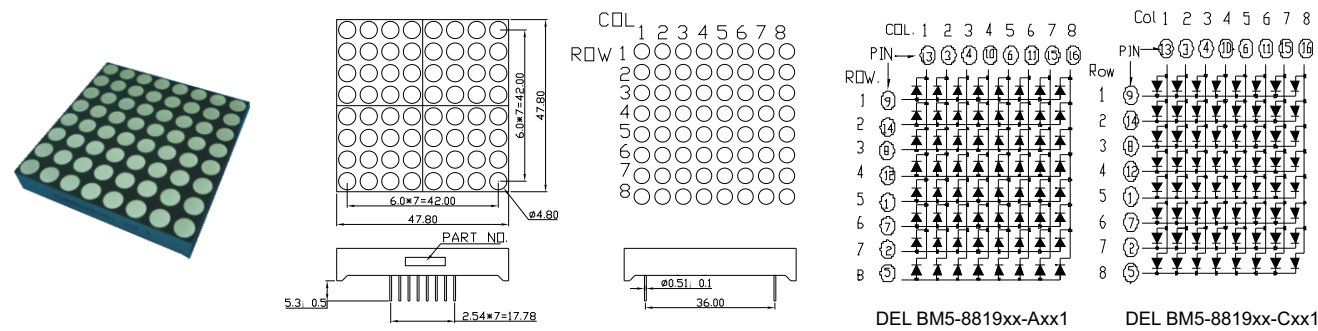
1.5" ø3.7 8x8	DEL BM4-8815D1-A111	DEL BM4-8815D1-C111	GaAsP/GaP Orange Chip	625	2	220cd/m2
			Gap/Gap Yellow Green Chip	570	2.15	
	DEL BM4-8815D2-A111	DEL BM4-8815D2-C111	AlGaAs/GaAs Red Chip	643	1.85	480cd/m2
			Gap/Gap Yellow Green Chip	570	2.15	
	DEL BM4-8815D3-A111	DEL BM4-8815D3-C111	AlGaAs/GaAs Red Chip	643	1.85	450cd/m2
			Gap/Gap Yellow Green Chip	570	2.15	

MD-20 DEL BM4-8815Dx-xxx1



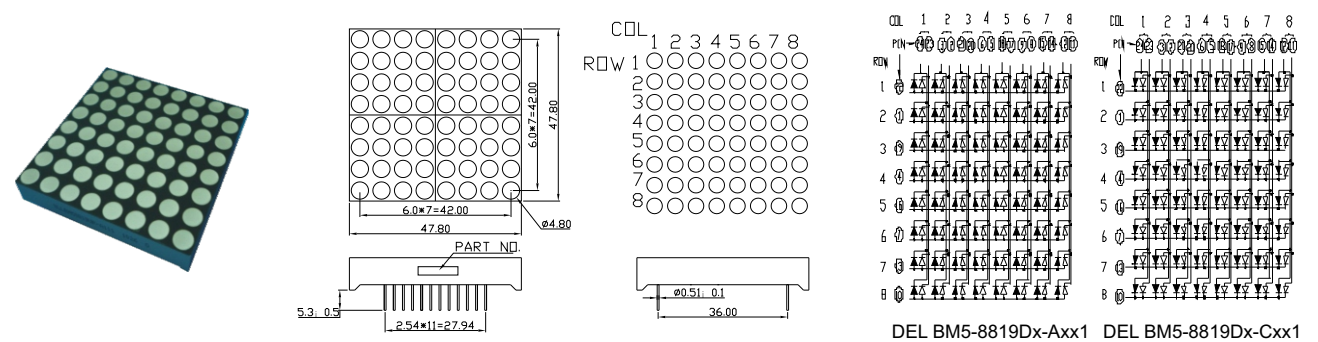
8x8 Dot Matrix Display						
Digit Size	Part No.		Chip		Electro-optical Data I _{fp} =40mA 1/8Duty	
	Common Anode	Common Cathode	Material/Emitted Color	Wave Length λd(nm)	V _F (V) Typ.	I _v .Typ. Per. Dot. (mcd)
1.9" ø5.0 8x8	DEL BM5-8819UB-A111	DEL BM5-8819UB-C111	InGaN/SiC Blue Chip	465	3.2	10.0
	DEL BM5-8819TB-A111	DEL BM5-8819TB-C111	InGaN/Al2O3 Blue Chip	465	3.1	25
	DEL BM5-8819PG-A111	DEL BM5-8819PG-C111	InGaN/SiC Pure Green Chip	525	3.2	25
	DEL BM5-8819GU-A111	DEL BM5-8819GU-C111	Gap/Gap Yellow Green Chip	570	2.15	3.2
	DEL BM5-8819UG-A111	DEL BM5-8819UG-C111	AllnGaP/GaAs Yellow Green Chip	570	2.1	10.0
	DEL BM5-8819HY-A111	DEL BM5-8819HY-C111	GaAsP/GaP Yellow Chip	590	2.1	2.0
	DEL BM5-8819UY-A111	DEL BM5-8819UY-C111	AlGaInP/GaAs Yellow Chip	590	2.05	20
	DEL BM5-8819YO-A111	DEL BM5-8819YO-C111	AlGaInP/GaAs Orange Chip	605	2.05	20
	DEL BM5-8819HO-A111	DEL BM5-8819HO-C111	GaAsP/GaP Orange Chip	625	2	2.0
	DEL BM5-8819UR-A111	DEL BM5-8819UR-C111	AlGaInP/GaAs Red Chip	630	1.95	11.0
	DEL BM5-8819SR-A111	DEL BM5-8819SR-C111	AlGaAs/GaAs Red Chip	643	1.85	7.0

MD-21 DEL BM5-8819xx-xxx1



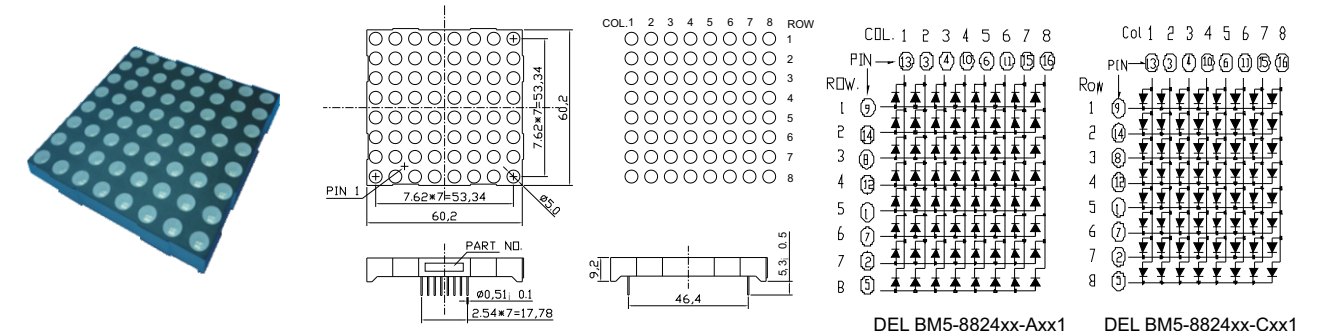
1.9" ø5.0 8x8	DEL BM5-8819D1-A111	DEL BM5-8819D1-C111	GaAsP/GaP Orange Chip	625	2	220cd/m2
			Gap/Gap Yellow Green Chip	570	2.15	
	DEL BM5-8819D2-A111	DEL BM5-8819D2-C111	AlGaAs/GaAs Red Chip	643	1.85	480cd/m2
			Gap/Gap Yellow Green Chip	570	2.15	
	DEL BM5-8819D3-A111	DEL BM5-8819D3-C111	AlGaAs/GaAs Red Chip	643	1.85	450cd/m2
			Gap/Gap Yellow Green Chip	570	2.15	

MD-22 DEL BM5-8819Dx-xxx1



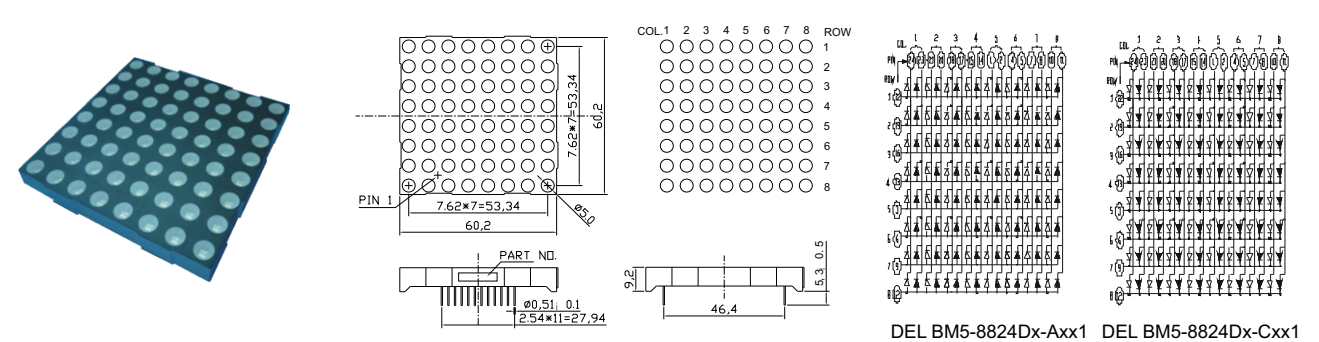
8x8 Dot Matrix Display						
Digit Size	Part No.		Chip		Electro-optical Data I _{fp} =40mA 1/8Duty	
	Common Anode	Common Cathode	Material/Emitted Color	Wave Length λd(nm)	V _F (V) Typ.	I _v .Typ. Per. Dot. (mcd)
2.4" ø5.0 8x8	DEL BM5-8824UB-A111	DEL BM5-8824UB-C111	InGaN/SiC Blue Chip	465	3.2	10.0
	DEL BM5-8824TB-A111	DEL BM5-8824TB-C111	InGaN/Al2O3 Blue Chip	465	3.1	25
	DEL BM5-8824PG-A111	DEL BM5-8824PG-C111	InGaN/SiC Pure Green Chip	525	3.2	25
	DEL BM5-8824GU-A111	DEL BM5-8824GU-C111	Gap/Gap Yellow Green Chip	570	2.15	3.2
	DEL BM5-8824UG-A111	DEL BM5-8824UG-C111	AllnGaP/GaAs Yellow Green Chip	570	2.1	10.0
	DEL BM5-8824HY-A111	DEL BM5-8824HY-C111	GaAsP/GaP Yellow Chip	590	2.1	2.0
	DEL BM5-8824UY-A111	DEL BM5-8824UY-C111	AlGaInP/GaAs Yellow Chip	590	2.05	20
	DEL BM5-8824YO-A111	DEL BM5-8824YO-C111	AlGaInP/GaAs Orange Chip	605	2.05	20
	DEL BM5-8824HO-A111	DEL BM5-8824HO-C111	GaAsP/GaP Orange Chip	625	2	2.0
	DEL BM5-8824UR-A111	DEL BM5-8824UR-C111	AlGaInP/GaAs Red Chip	630	1.95	11.0
	DEL BM5-8824SR-A111	DEL BM5-8824SR-C111	AlGaAs/GaAs Red Chip	643	1.85	7.0

MD-23 DEL BM5-8824xx-xxx1



2.4" ø5.0 8x8	DEL BM5-8824D1-A111	DEL BM5-8824D1-C111	GaAsP/GaP Orange Chip	625	2	220cd/m2
			Gap/Gap Yellow Green Chip	570	2.15	
	DEL BM5-8824D2-A111	DEL BM5-8824D2-C111	AlGaAs/GaAs Red Chip	643	1.85	480cd/m2
			Gap/Gap Yellow Green Chip	570	2.15	
	DEL BM5-8824D3-A111	DEL BM5-8824D3-C111	AlGaAs/GaAs Red Chip	643	1.85	450cd/m2
			Gap/Gap Yellow Green Chip	570	2.15	

MD-24 DEL BM5-8824Dx-xxx1

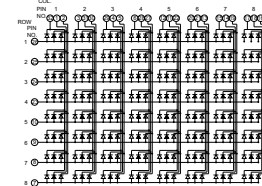
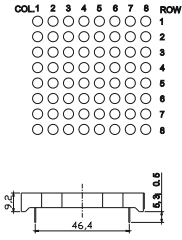
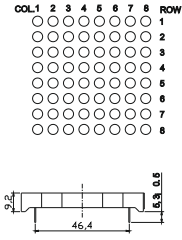
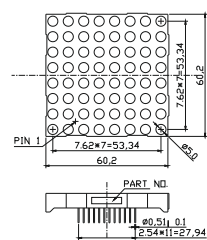
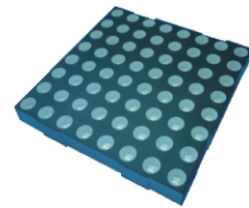


8x8 Dot Matrix Display

Digit Size	Part No.		Chip		Electro-optical Data I _{fp} =40mA 1/8Duty	
	Common Anode	Common Cathode	Material/Emitted Color	Wave Length λd(nm)	V _F (V) Typ.	I _v .Typ. Per. Dot. (mcd)
2.4" ø5.0 8x8	DEL BM5-8824F1-A111	DEL BM5-8824F1-C111	GaAsP/GaP Orange Chip	625	2	
			Gap/Gap Yellow Green Chip	570	2.15	
			InGaN/SiC Blue Chip	465	3.2	
	DEL BM5-8824F2-A111	DEL BM5-8824F2-C111	GaAsP/GaP Orange Chip	625	2	
			InGaN/SiC Pure Green Chip	525	3.2	
			InGaN/SiC Blue Chip	465	3.2	
	DEL BM5-8824F3-A111	DEL BM5-8824F3-C111	AlGaInP Hi-Eff Red Chip	625	2	
			Gap/Gap Yellow Green Chip	570	2.15	
			InGaN/SiC Blue Chip	465	3.2	
	DEL BM5-8824F4-A111	DEL BM5-8824F4-C111	AlGaAs/GaAs Red Chip	643	1.85	
			Gap/Gap Yellow Green Chip	570	2.15	
			InGaN/SiC Blue Chip	465	3.2	

MD-25

DEL BM5-8824Fx-xxx1



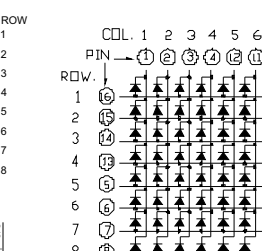
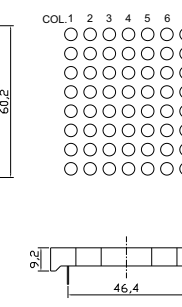
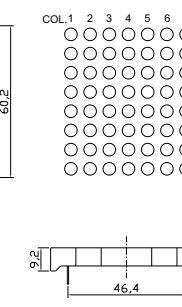
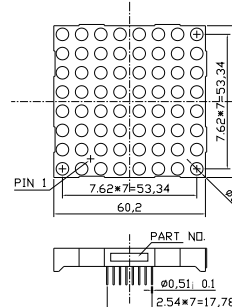
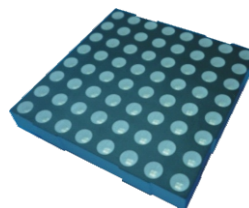
DEL BM5-8824Fx-Axx1

DEL BM5-8824Fx-Cxx1

2.4" ø5.0 8x8	DEL BM5-8824UB-A112	DEL BM5-8824UB-C112	InGaN/SiC Blue Chip	468	3.2	10.0
	DEL BM5-8824TB-A112	DEL BM5-8824TB-C112	InGaN/Al ₂ O ₃ Blue Chip	468	3.1	25
	DEL BM5-8824PG-A112	DEL BM5-8824PG-C112	InGaN/SiC Pure Green Chip	525	3.2	25
	DEL BM5-8824GU-A112	DEL BM5-8824GU-C112	Gap/Gap Yellow Green Chip	570	2.15	3.2
	DEL BM5-8824UG-A112	DEL BM5-8824UG-C112	AllnGaP/GaAs Yellow Green Chip	570	2.1	10.0
	DEL BM5-8824HY-A112	DEL BM5-8824HY-C112	GaAsP/GaP Yellow Chip	590	2.1	2.0
	DEL BM5-8824UY-A112	DEL BM5-8824UY-C112	AlGaInP/GaAs Yellow Chip	590	2.05	20
	DEL BM5-8824YO-A112	DEL BM5-8824YO-C112	AlGaInP/GaAs Orange Chip	605	2.05	20
	DEL BM5-8824HO-A112	DEL BM5-8824HO-C112	GaAsP/GaP Orange Chip	625	2	2.0
	DEL BM5-8824UR-A112	DEL BM5-8824UR-C112	AlGaInP/GaAs Red Chip	630	1.95	11.0
DEL BM5-8824SR-A112	DEL BM5-8824SR-C112	AlGaAs/GaAs Red Chip	643	1.85	7.0	

MD-26

DEL BM5-8824xx-xxx2



DEL BM5-8824xx-Axx2

DEL BM5-8824xx-Cxx2

NOTE: 1. All dimensions are in millimeters (inches). 2. Tolerance is +/- 0.25mm.
3. Specifications are subject to change without notice. 4. NP: No Pin 5. NC: No Connect