

**DISPLAY Elektronik GmbH**

**DATA SHEET**

**LCD MODULE**

**DEM 20486 SYH-LY-CYR22**

*Product Specification*

*Version: 5*

**02.01.2018**

# GENERAL SPECIFICATION

---

MODULE NO. :

# DEM 20486 SYH-LY-CYR22

CUSTOMER P/N

Version No.	Change Description	Date
0	Original Version	11.01.2001
1	Change IC	04.12.2007
2	Update PCB Description	07.07.2007
3	Change The Value Of Bias Resistor	18.03.2010
4	Add Version	27.03.2017
5	Change the Maximum Values	02.01.2018


PREPARED BY: PS

DATE: 02.01.2018

APPROVED BY: MH

DATE: 02.01.2018

# CONTENTS

1. FUNCTIONS & FEATURES	2
2. MECHANICAL SPECIFICATIONS	2
3. EXTERNAL DIMENSIONS (  UNIT: MM)	3
5. PIN ASSIGNMENT	4
6. PCB DRAWING AND APPLICATION	4
7. BACKLIGHT ELECTRICAL/OPTICAL SPECIFICATIONS	6
8. DISPLAY DATA RAM (DDRAM)	7
9. MAXIMUM ABSOLUTE POWER LIMIT	7
10. ELECTRICAL CHARACTERISTICS	8
11. CONTROL AND DISPLAY COMMAND	10
12. LCM INITIALIZING BY INSTRUCTION	11
13. CHARACTER GENERATOR ROM (ST7066U-0T)	13
14. QUALITY DESCRIPTION	14
15. THE MODULE ACCEPT QUALITY LEVEL (AQL)	15
16. RELIABILITY TEST	15
17. LCD MODULES HANDLING PRECAUTIONS	16
18. OTHERS	16

**1. FUNCTIONS & FEATURES**

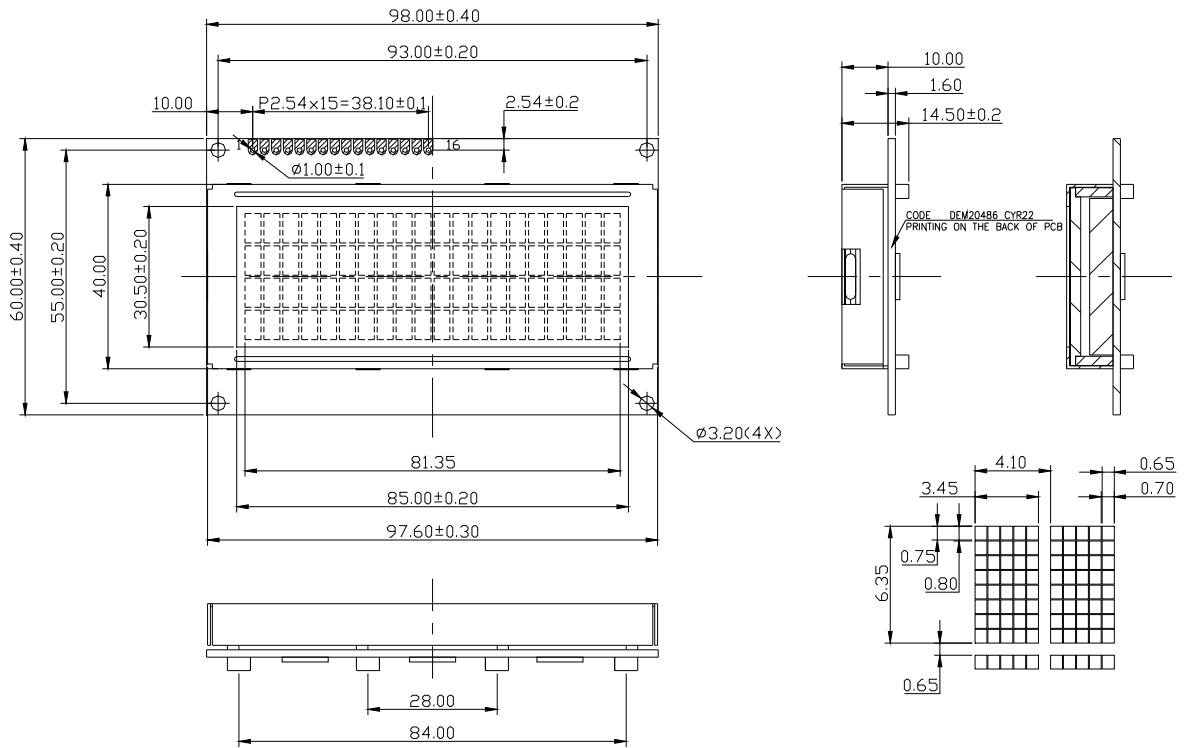
<b>Module Name</b>	<b>LCD Type</b>
DEM 20486 SYH-LY-CYR22	STN Yellow Green Transflective Positive Mode

- Viewing Direction : 6 O'clock
- Driving Scheme : 1/16 Duty Cycle, 1/5 Bias
- Power Supply Voltage : 5 Volt (typ.)
- Backlight Color : LED, Lightbox, Yellow Green
- VLCD Adjustable For Best Contrast : 4.5 Volt (typ.)
- Display contents : 20 x 4 Characters
- Internal Memory : CGROM (10,080 bits)  
: CGRAM (64 x 8 bits)  
: DDRAM (80 x 8 bits for Digits)
- CGROM : CGROM of the ST7066U-0A-B(For B00)
- Interface : Easy Interface with a 4-bit or 8-bit MPU

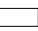
**2. MECHANICAL SPECIFICATIONS**

- Module Size : 98.00 x 60.00 x 14.50 mm
- Character Font : 5 x 8 Dots
- Dot Size : 0.65 x 0.75 mm
- Dot Pitch : 0.70 x 0.80 mm
- Dot Gap : 0.05 mm

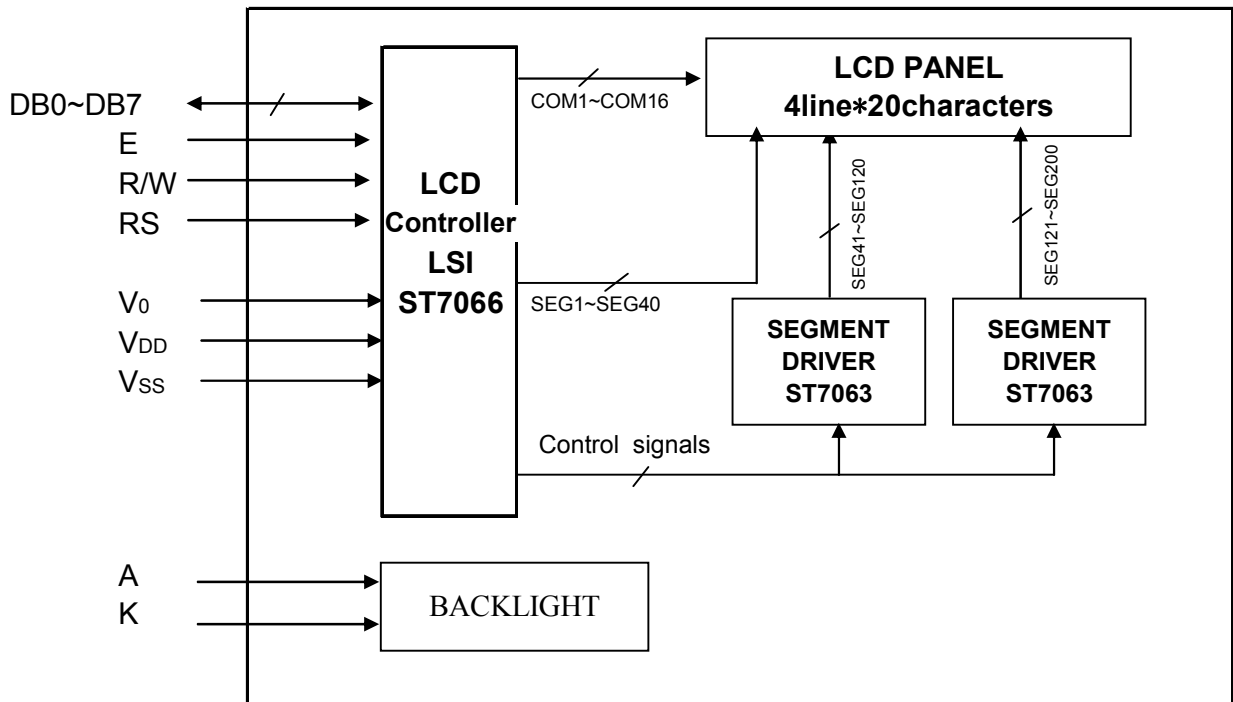
3. EXTERNAL DIMENSIONS (  unit: mm)



Remarks:

- 1.Unmarked tolerance is ±0.3
- 2.All materials comply with Rohs
- 3.  ...critical dimension.

4. BLOCK DIAGRAM

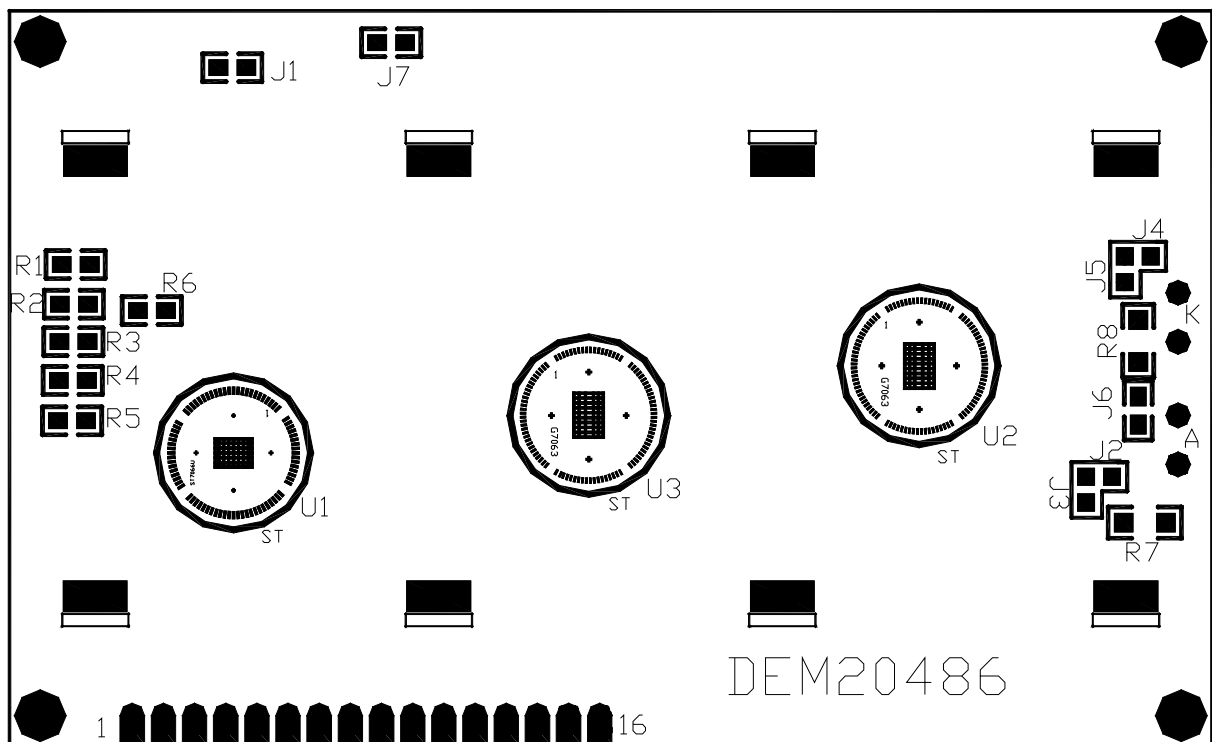


5. PIN ASSIGNMENT

Pin No.	Symbol	Function
1	VSS	Ground terminal of module
2	VDD	Supply terminal of module +5 V
3	V0	Power Supply for Liquid crystal Drive
4	RS	Register Select, RS = 0 (Instruction Register), RS = 1 (Data Register)
5	R/W	Read / Write, R/W = 1 (Read), R/W = 0 (Write)
6	E	Enable
7	DB0	Bi-directional Data Bus, Data Transfer is performed once, thru DB0~DB7, in the case of interface data. Length is 8-bits; and twice, thru DB4~DB7 in the case of interface data length is 4-bits. Upper four bits first then lower four bits.
8	DB1	
9	DB2	
10	DB3	
11	DB4	
12	DB5	
13	DB6	
14	DB7	
15	LED- (K)	Please also refer to 6.1 PCB drawing and description
16	LED+(A)	

6. PCB DRAWING AND APPLICATION

6.1 PCB Drawing and Description



Note: on application module, R1~R5=2.2kΩ, R6=91kΩ

**Description :**

**6-1-1. The polarity of the pin 15 and the pin 16**

J3,J5	J2, J4	LED Polarity	
		15 Pin	16 Pin
Each open	Each closed	Anode	Cathode
Each closed	Each open	Cathode	Anode

Note: on application module, J3=J5= 0 Ohm, J2=J4= open

**6-1-2. The metal-bezel is set on GND when the J1= 0 Ω and the mounting holes are set on GND when J7= 0Ω**

Note: on application module, J1=J7= 0 Ohm

**6-1-3. The LED resistor should can be bridged when the J6 is open.**

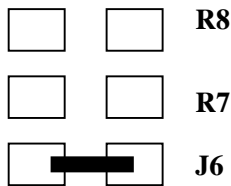
Note: on application module, J6=open

**6-1-4. The R7 and the R8 are the LED resistor.**

Note: on application module, R7= R8=10Ω.

**6.2 Example application**

**6-2-1. The LED resistor should be bridged as following.**



**6-2-2. The 15 pin is the anode and the 16 pin is the cathode as following.**



**6-2-3. The 15 pin is the cathode and the 16 pin is the anode as following.**



**6-2-4. The metal-bezel and mounting holes is on ground as following.**



**7. BACKLIGHT ELECTRICAL/OPTICAL SPECIFICATIONS**

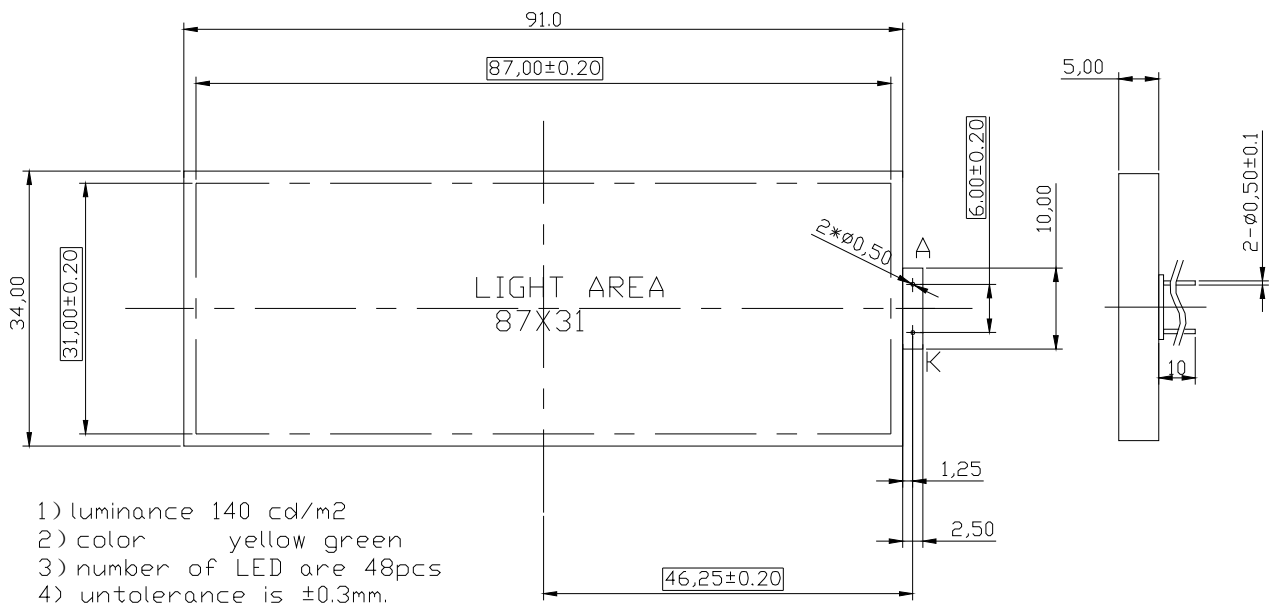
**7.1 Absolute Maximum Ratings (Ta=25°C)**

Item	Symbol	Conditions	Rating	Unit
Absolute Maximum Forward Current	I <sub>fm</sub>		480	mA
Peak Forward Current	I <sub>fp</sub>	1 msec plus 10% duty cycle	1152	mA
Reverse Voltage	V <sub>r</sub>		5	V
Power Dissipation	P <sub>d</sub>		2400	mW

**7.2 Electrical-Optical Characteristics (Ta=25°C)**

Item	Symbol	Min.	Typ.	Max.	Unit	Condition
Forward Voltage	V <sub>f</sub>	3.8	4.0	4.3	V	I <sub>f</sub> =240mA
Reverse Current	I <sub>r</sub>			100	uA	V <sub>r</sub> =4.0V
Dominant Wavelength	λ <sub>D</sub>	569	572	575	nm	I <sub>f</sub> =240mA
Spectral Line Half Width	Δ λ		25		nm	I <sub>f</sub> =240mA
Luminance	L <sub>v</sub>		(140)		cd/m <sup>2</sup>	I <sub>f</sub> =240mA

**7.3 Backlight Drawing (  unit: mm)**





**8. DISPLAY DATA RAM (DDRAM)**

	1	2	3	4	5	6	7	8	9	10	11	12	13	14	15	16	17	18	19	20	← Display position
FIRST LINE	00	01	02	03	04	05	06	07	08	09	0A	0B	0C	0D	0E	0F	10	11	12	13	← DDRAM Address
SECOND LINE	40	41	42	43	44	45	46	47	48	49	4A	4B	4C	4D	4E	4F	50	51	52	53	
THIRD LINE	14	15	16	17	18	19	1A	1B	1C	1D	1E	1F	20	21	22	23	24	25	26	27	
FOURTH LINE	54	55	56	57	58	59	5A	5B	5C	5D	5E	5F	60	61	62	63	64	65	66	67	

**9. MAXIMUM ABSOLUTE POWER LIMIT**

Item	Symbol	Standard value	Unit
Power Supply Voltage	V <sub>DD</sub>	-0.3~+6.0	V
LCD Driver Voltage	V <sub>LCD</sub>	V <sub>DD</sub> -10.0~V <sub>DD</sub> +0.3	V
Input Voltage	V <sub>IN</sub>	-0.3~V <sub>DD</sub> +0.3	V
Operating Temperature	T <sub>opr</sub>	-20 ~ +70	°C
Storage Temperature	T <sub>stg</sub>	-30 ~ +80	°C

**10. ELECTRICAL CHARACTERISTICS**

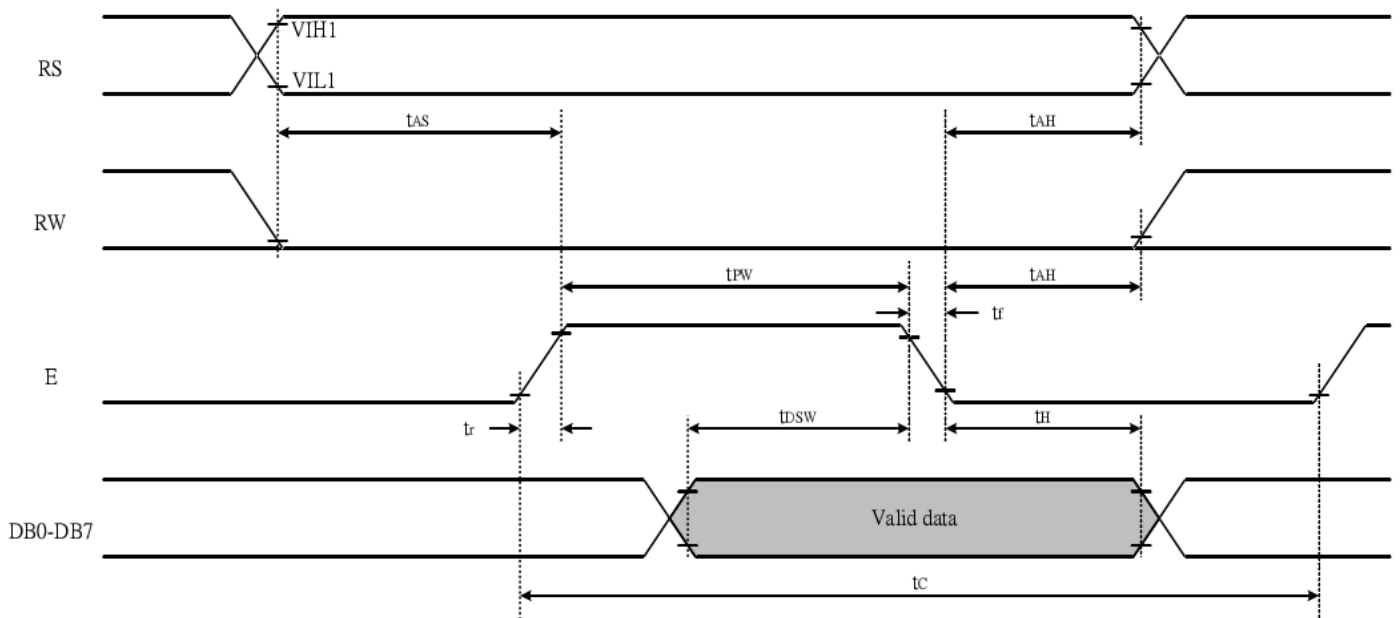
**10-1-1 DC Characteristics (V<sub>DD</sub>=5.0V, Ta=-20°C ~ +70°C)**

Item	Symbol	Standard Value			Test Condition	Unit
		MIN	TYP	MAX		
Operating Voltage	V <sub>DD</sub>	4.5	5	5.5	-----	V
Supply Current	I <sub>DD</sub>	----	0.2	0.5	V <sub>DD</sub> =5V, f <sub>osc</sub> =270kHz	mA
LCD Driving Voltage	V <sub>LCD</sub>	3.0	---	7.0	V <sub>DD</sub> -V5	V

**10-2 AC Characteristics (V<sub>DD</sub>=5.0V, Ta=-20°C ~ +70°C)**

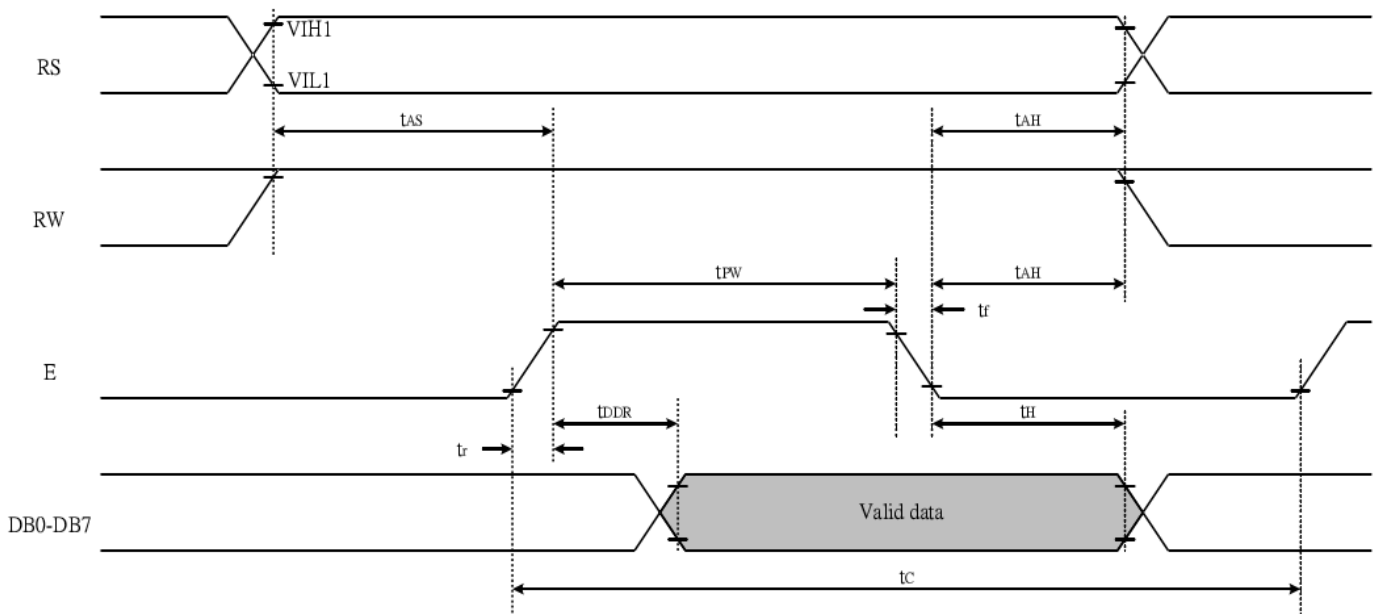
**10-2-1 Write mode**

Characteristic	Symbol	Min	Type	Max	Unit	Test PIN
Enable Cycle Time	t <sub>c</sub>	1200	---	---	ns	E
Enable Pulse Time	T <sub>PW</sub>	460	---	---	ns	E
Enable Rise/Fall Time	T <sub>R</sub> , T <sub>F</sub>	---	---	25	ns	E
Address Set-up Time	T <sub>AS</sub>	0	---	---	ns	R/W,RS,E
Address Hold Time	T <sub>AH</sub>	10	---	---	ns	R/W,RS,E
Data Set-up Time	T <sub>DSW</sub>	80	---	---	ns	DB0~DB7
Data Hold Time	T <sub>H</sub>	10	---	---	ns	DB0~DB7



**10-2-2 Read Mode**

Characteristic	Symbol	Min	Type	Max	Unit	Test PIN
Enable Cycle Time	$t_C$	1200	---	---	ns	E
Enable Pulse Time	$T_{PW}$	480	---	---	ns	E
Enable Rise/Fall Time	$T_R, T_F$	---	---	25	ns	E
Address Set-up Time	$T_{AS}$	0	---	---	ns	R/W,RS,E
Address Hold Time	$T_{AH}$	10	---	---	ns	R/W,RS,E
Data Set-up Time	$T_{DDR}$	---	---	320	ns	DB0~DB7
Data Hold Time	$T_H$	10	---	---	ns	DB0~DB7



**11. CONTROL AND DISPLAY COMMAND**

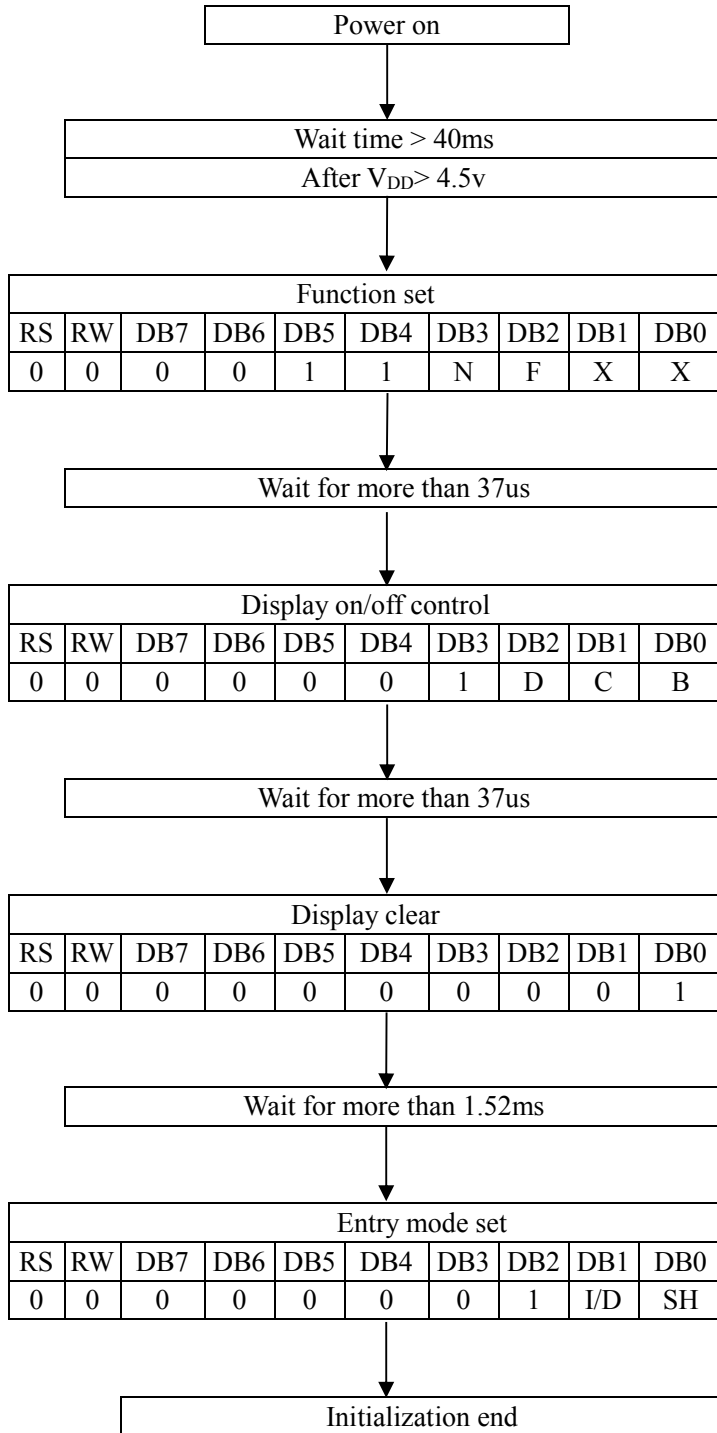
Command	RS	R/W	DB7	DB6	DB5	DB4	DB3	DB2	DB1	DB0	Execution time (fosc=270KHz)	Remark
clear Display	L	L	L	L	L	L	L	L	L	H	1.52ms	Write "20H" to DDRAM and set DDRAM address to "00H" from AC
Return home	L	L	L	L	L	L	L	L	L	H ---	1.52ms	Set DDRAM address to "00H" from AC and return cursor to its original position if shifted. The contents of DDRAM are not changed.
Entry mode Set	L	L	L	L	L	L	L	L	H	I/D SH	37us	Sets cursor move direction and specifies display shift. These operations are performed during data write and read.
Display on/off control	L	L	L	L	L	L	L	H	D	C B	37us	D=1:entire display on C=1:cursor on B=1:cursor position on
Cursor or Display Shift	L	L	L	L	L	L	H	S/C	R/L	---	37us	Set cursor moving and display shift control bit, and the direction, without changing DDRAM data.
function Set	L	L	L	L	L	H	DL	N	F	---	37us	DL:interface data is 8/4 bits N:number of line is 2/1 F:font size is 5x11/5x8 37 us
Set CGRAM address	L	L	L	H	AC5	AC4	AC3	AC2	AC1	AC0	37us	Set CGRAM address in address counter
Set DDRAM address	L	L	H	AC6	AC5	AC4	AC3	AC2	AC1	AC0	37us	Set DDRAM address in address counter
Read busy flag& address	L	H	BF	AC6	AC5	AC4	AC3	AC2	AC1	AC0	0us	Whether during internal operation or not can be known by reading BF. The contents of address counter can also be read.
Write data to RAM	H	L	D7	D6	D5	D4	D3	D2	D1	D0	37us	Write data into internal RAM (DDRAM/CGRAM) 37 us
Read data from RAM	H	H	D7	D6	D5	D4	D3	D2	D1	D0	37us	Read data from internal RAM (DDRAM/CGRAM) 37 us

Note:

Be sure the ST7066U is not in the busy state(BF=0) before sending an instruction from the MPU to the ST7066U. If an instruction is sent without checking the busy flag, the time between the first instruction and next instruction will take much longer than the instruction time itself. Refer to Instruction Table for the list of each instruction execution time.

12. LCM INITIALIZING BY INSTRUCTION

12-1 8-Bit Interface Mode



Condition : fosc=270khz

N	0	1-line mode
	1	2-line mode

F	0	5 x 8 font
	1	5 x 11 font

D	0	display off
	1	display on

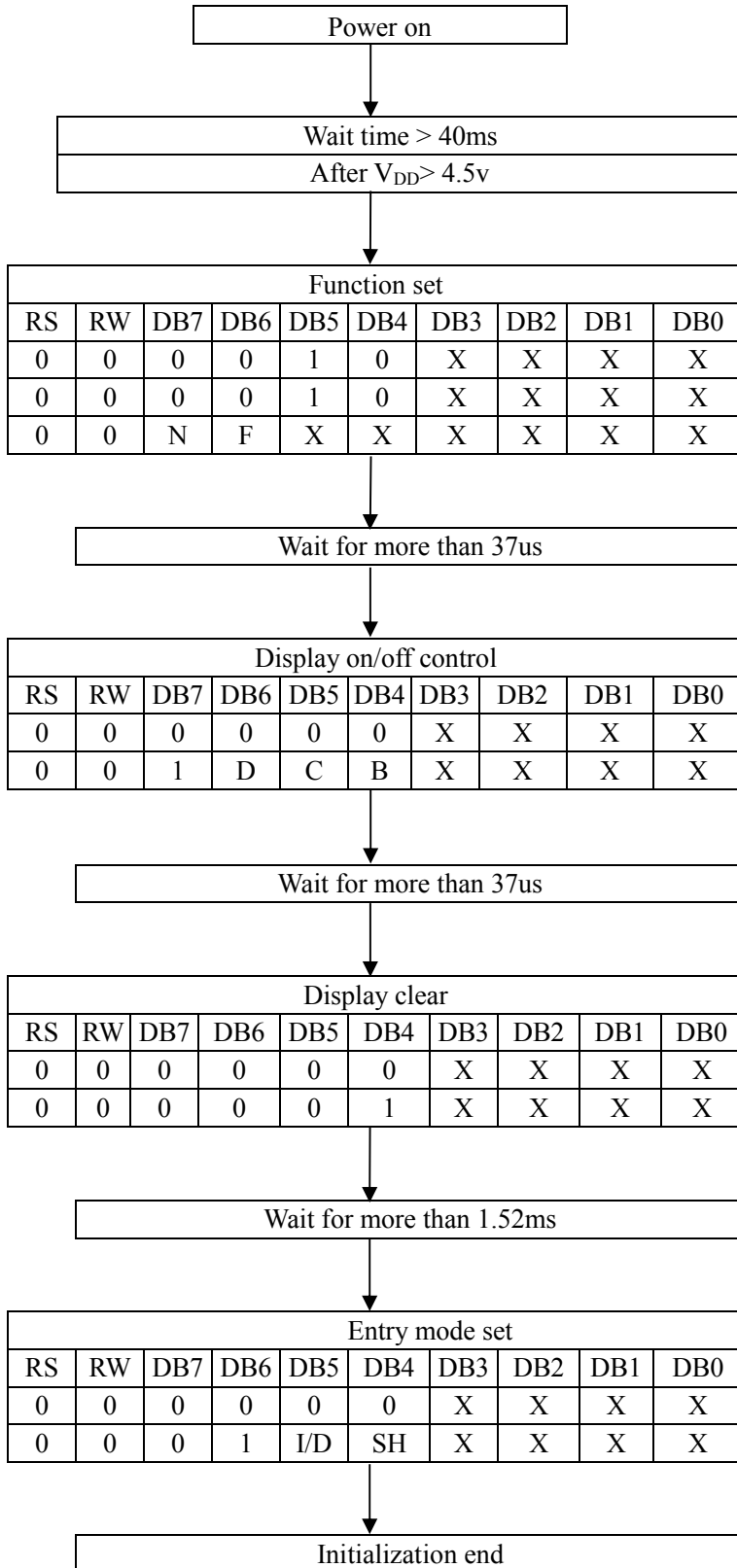
C	0	cursor off
	1	cursor on

B	0	blink off
	1	blink on

I/D	0	decrement mode
	1	increment mode

SH	0	entire shift off
	1	entire shift on

12-2 4-Bit Interface Mode



Condition: fosc=270khz

N	0	1-line mode
	1	2-line mode
F	0	5 x 8 font
	1	5 x 11 font

D	0	display off
	1	Display on
C	0	cursor off
	1	cursor on
B	0	blink off
	1	blink on

I/D	0	decrement mode
	1	increment mode
SH	0	entire shift off
	1	entire shift on

13. CHARACTER GENERATOR ROM (ST7066-0A-B)

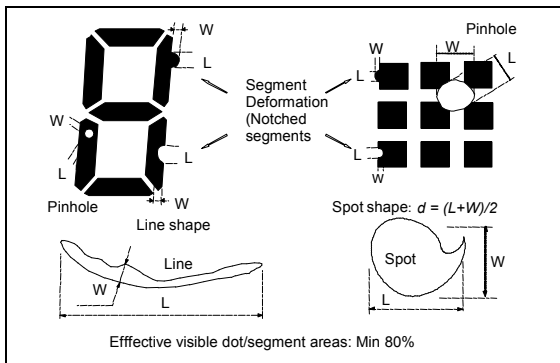
Upper(4bit)		LLLL	LLLH	LLHL	LLHH	LHLL	LHLH	LHHL	LHHH	HLLL	HLLH	HLHL	HLHH	HHLL	HHLH	HHHL	HHHH
Lower(4bit)	CG RAM																
LLLL	(1)																
LLLH	(2)																
LLHL	(3)																
LLHH	(4)																
LHLL	(5)																
LHLH	(6)																
LHHL	(7)																
LHHH	(8)																
HLLL	(1)																
HLLH	(2)																
HLHL	(3)																
HLHH	(4)																
HHLL	(5)																
HHLH	(6)																
HHHL	(7)																
HHHH	(8)																

**14. QUALITY DESCRIPTION**

**DEFECT SPECIFICATION:**

Specific type-related items are covered in this sheet.

- a: Table for Cosmetic defects  
 (Note: nc = not counted).  
 Sizes and number of defects  
 (Max. Qty)

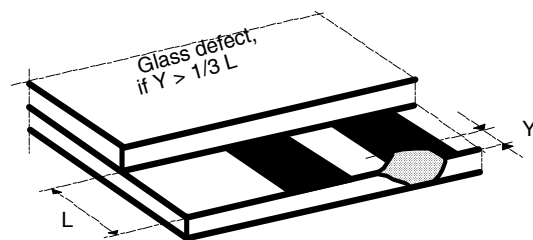


Examples/

Shapes

- b: Glass defects
- b1: Glass defects at contact ledge

Defect Type	Max. defect size [ $\mu\text{m}$ ] d or L W	Max. Quantity.
Black or White Spots	$d \leq 150$	nc
	$150 < d \leq 300$	3
Black or White Lines	-- $W \leq 10$	nc
	$L \leq 3000$ $W \leq 30$	2
	$L \leq 2000$ $W \leq 50$	2
Pinhole	$d \leq 100$	nc
	$150 < d \leq 300$	1/segment
(Total defects)		(5)
Segment Deformation	$W \leq 100$	nc
Bubble (e.g. under pola)	$d \leq 150$	nc
	$200 < d \leq 400$	2



b2: Glass chipping in other areas shall not be in conflict with the product's function.



**15. THE MODULE ACCEPT QUALITY LEVEL (AQL)**

15.1 AQL Standard Value: Critical Defect =0.1, Major Defect=0.65; Minor Defect =2.5.

15.2 Inspection Standard: MIL-STD-105E Table Normal Inspection Single Sampling Level II

**16. RELIABILITY TEST**

Operating life time: 50,000 hours (at room temperature without direct irradiation of sunlight)

Reliability characteristics shall meet following requirements.

<b>Test Item</b>	<b>Test Condition</b>
High Temperature Storage	+80°C x 96hrs
Low Temperature Storage	-30°C x 96hrs
High Temperature Operation	+70°C x 96hrs
Low Temperature Operation	-20°C x 96hrs
High Temperature, High Humidity (Storage)	+60°C x 90%RH x 96hrs
Thermal Shock	-20°C x 30min → +25°C x 10s → +70°C x 30min 5Cycles
Vibration Test	Frequency x Swing x Time 40Hz x 4mm x 4hrs
Drop Test	Drop Height x No. of drops 1.0m x 6 drops

**17. LCD MODULES HANDLING PRECAUTIONS**

- Please remove the protection foil of polarizer before using.
- The display panel is made of glass. Do not subject it to a mechanical shock by dropping it from a high place, etc.
- If the display panel is damaged and the liquid crystal substance inside it leaks out, do not get any in your mouth. If the substance come into contact with your skin or clothes promptly wash it off using soap and water.
- Do not apply excessive force to the display surface or the adjoining areas since this may cause the color tone to vary.
- The polarizer covering the display surface of the LCD module is soft and easily scratched. Handle this polarize carefully.
- To prevent destruction of the elements by static electricity, be careful to maintain an optimum work environment.
  - Be sure to ground the body when handling the LCD module.
  - Tools required for assembly, such as soldering irons, must be properly grounded.
  - To reduce the amount of static electricity generated, do not conduct assembly and other work under dry conditions.
  - The LCD module is coated with a film to protect the display surface. Exercise care when peeling off this protective film since static electricity may be generated.
- Storage precautions  
When storing the LCD modules, avoid exposure to direct sunlight or to the light of fluorescent lamps. Keep the modules in bags designed to prevent static electricity charging under low temperature / normal humidity conditions (avoid high temperature / high humidity and low temperatures below 0°C). Whenever possible, the LCD modules should be stored in the same conditions in which they were shipped from our company.

**18. OTHERS**

- Liquid crystals solidify at low temperature (below the storage temperature range) leading to defective orientation of liquid crystal or the generation of air bubbles (black or white). Air bubbles may also be generated if the module is subjected to a strong shock at a low temperature.
- If the LCD modules have been operating for a long time showing the same display patterns may remain on the screen as ghost images and a slight contrast irregularity may also appear. Abnormal operating status can be resumed to be normal condition by suspending use for some time. It should be noted that this phenomena does not adversely affect performance reliability.
- To minimize the performance degradation of the LCD modules resulting from caused by static electricity, etc. exercise care to avoid holding the following sections when handling the modules:
  - Exposed area of the printed circuit board
  - Terminal electrode sections