

DISPLAY Elektronik GmbH

DATA SHEET

LCD MODULE

DEM 128064U SBH-PW-N

Product Specification

Version: 2

23.10.2020

GENERAL SPECIFICATION

MODULE NO. :

DEM 128064U SBH-PW-N

CUSTOMER P/N

Version No.	Change Description	Date
0	Original Version	14.10.2020
1	Change to Parallel+ SPI Interface ;Add the BL lifetime	21.10.2020
2	Correct the "FSTN Blue" to "STN Blue" on page 2; Update the LCD drawing on page 13.	23.10.2020

PREPARED BY: CC

DATE: 23.10.2020

APPROVED BY: MHI

DATE: 23.10.2020

CONTENTS

1. FUNCTIONS & FEATURES ----- 2

2. MECHANICAL SPECIFICATIONS ----- 2

3. EXTERNAL DIMENSIONS ----- 3

4. BLOCK DIAGRAM ----- 4

5. PIN DESCRIPTION ----- 5

6. BACKLIGHT ELECTRICAL/OPTICAL SPECIFICATIONS ----- 6

7. MAXIMUM ABSOLUTE LIMIT ----- 7

8. ELECTRICAL CHARACTERISTICS ----- 7

9. INSTRUCTION DESCRIPTION ----- 11

10 LCD LAYOUT ----- 12

12. IC LAYOUT ----- 14

14. MODULE ACCEPT QUALITY LEVEL (AQL) ----- 14

15. RELIABILITY TEST ----- 14

16. LCD MODULES HANDLING PRECAUTIONS ----- 15

17. OTHERS ----- 15

1. FUNCTIONS & FEATURES

I DEM 128064U Series LCD Type :

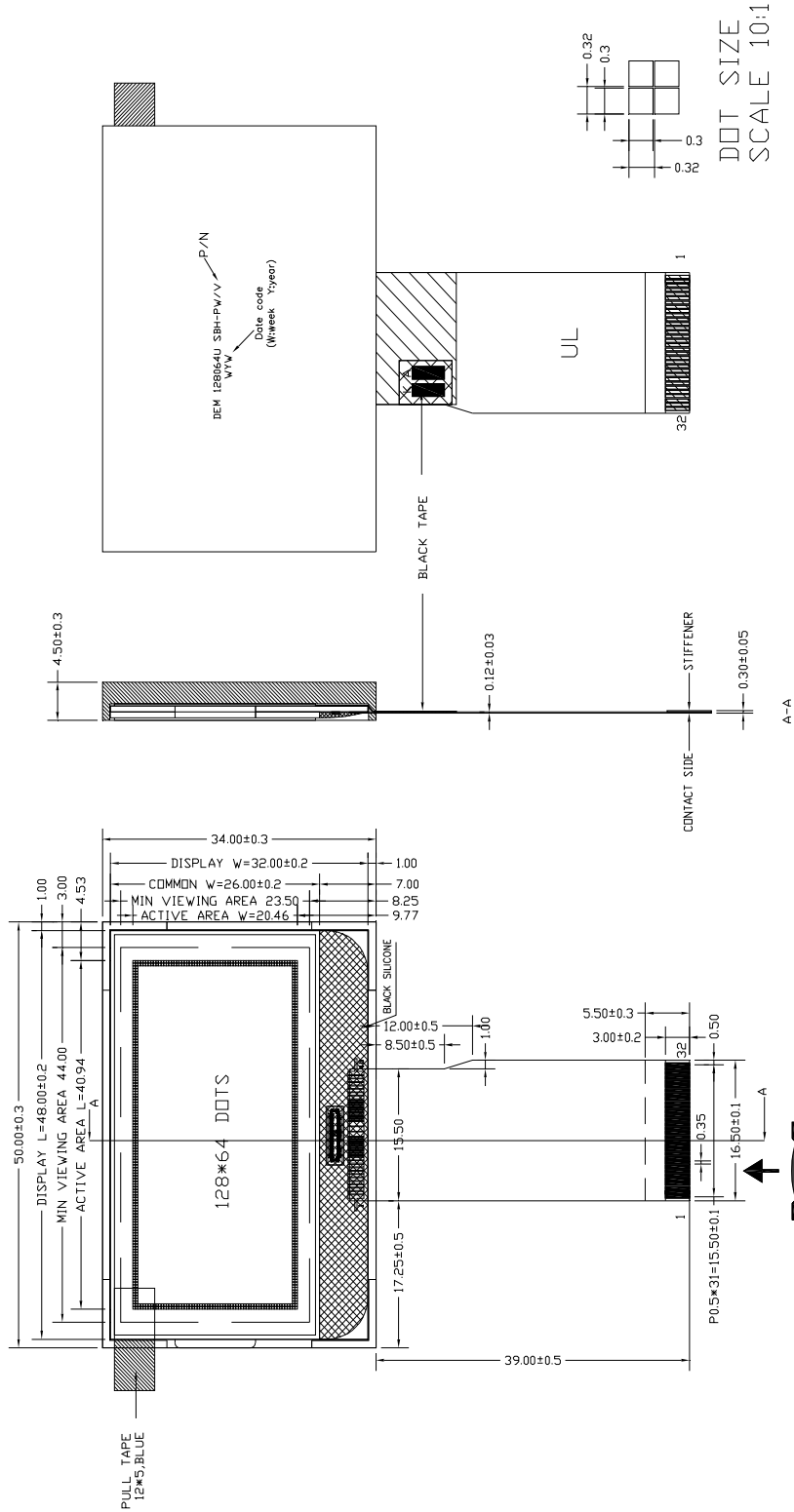
MODULE	LCD TYPE	REMARK
DEM 128064U SBH-PW-N	STN Blue Transmissive Negative Mode	

- I Viewing Direction : 6 O'clock
- I Driving Scheme : 1/64 Duty, 1/9Bias
- I Power Supply Voltage : 3.0V
- I LCD Operation Voltage : 10V
- I Display Contents : 128 x 64 dots
- I Interface : 8-bit-Parallel or SPI Interface

2. MECHANICAL SPECIFICATIONS

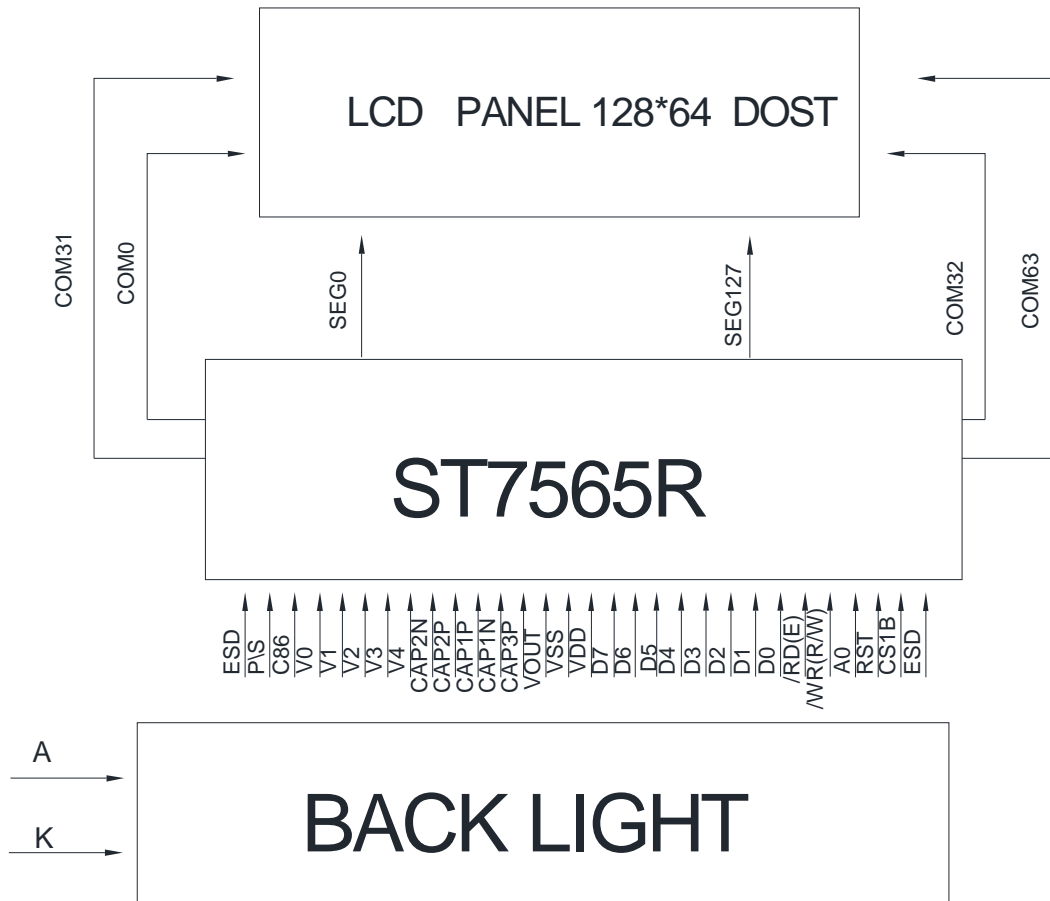
- I Module Size : 50.00 mm x 34.00 mm x 4.50mm
- I Viewing Area : 44.00 mm x 23.50 mm
- I Active Area : 40.94 mm x 20.46 mm
- I Dot Size : 0.30 mm x 0.30 mm
- I Dot Gap : 0.02 mm

3. EXTERNAL DIMENSIONS



- Remarks:
- 1.Unmarked tolerance is ±0.3
 - 2.All materials comply with RoHs
 3. [] :critical dimension.

4. BLOCK DIAGRAM



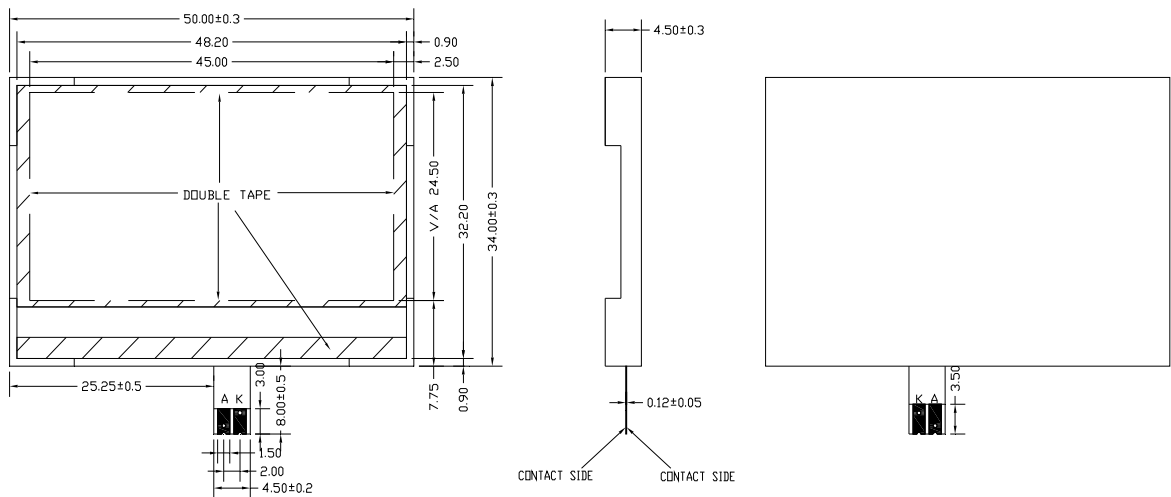
5. PIN DESCRIPTION

Pin No.	Name	Description															
1	ESD	Ground															
2	P/S	<p>This pin configures the interface to be parallel mode or serial mode. P/S = "H": Parallel data input/output. P/S = "L": Serial data input. The following applies depending on the P/S status:</p> <table border="1" style="margin-left: 40px;"> <thead> <tr> <th>P/S</th> <th>Data/Command</th> <th>Data</th> <th>Read/Write</th> <th>4-line SPI Clock</th> </tr> </thead> <tbody> <tr> <td>"H"</td> <td>A0</td> <td>D0 to D7</td> <td>/RD, /WR</td> <td>X</td> </tr> <tr> <td>"L"</td> <td>A0</td> <td>SI (D7)</td> <td>Write only</td> <td>SCL (D6)</td> </tr> </tbody> </table> <p>When P/S = "L", D0 to D5 must be fixed to "H". /RD (E) and /WR (R/W) are fixed to either "H" or "L". The serial access mode does NOT support read operation.</p>	P/S	Data/Command	Data	Read/Write	4-line SPI Clock	"H"	A0	D0 to D7	/RD, /WR	X	"L"	A0	SI (D7)	Write only	SCL (D6)
P/S	Data/Command	Data	Read/Write	4-line SPI Clock													
"H"	A0	D0 to D7	/RD, /WR	X													
"L"	A0	SI (D7)	Write only	SCL (D6)													
3	C86	<p>This is the MPU interface selection pin. C86 = "H": 6800 Series MPU interface. C86 = "L": 8080 Series MPU interface.</p>															
4	V0	<p>This is a multi-level power supply for the liquid crystal drive. The voltage Supply applied is determined by the liquid crystal cell, and is changed through the use of a resistive voltage divided or through changing the impedance using an op. amp. Voltage levels are determined based on Vss, and must maintain the relative magnitudes shown below.</p> $V_0 \geq V1 \geq V2 \geq V3 \geq V4 \geq V_{ss}$															
5	V1																
6	V2																
7	V3																
8	V4																
9	CAP2N	DC/DC voltage converter.															
10	CAP2P																
11	CAP1P																
12	CAP1N																
13	CAP3P																
14	VOUT																
15	VSS																
16	VDD	Power supply															
17	D7	<p>This is an 8-bit bi-directional data bus that connects to an 8-bit or 16-bit standard MPU data bus. When the serial interface (SPI-4) is selected (P/S = "L") : D7 : serial data input (SI) ; D6 : the serial clock input (SCL). D0 to D5 should be connected to VDD or floating. When the chip select is not active, D0 to D7 are set to high impedance.</p>															
18	D6																
19	D5																
20	D4																
21	D3																
22	D2																
23	D1																
24	D0																
25	/RD(E)	<p>When connected to 8080 series MPU, this pin is treated as the "/RD" signal of the 8080 MPU and is LOW-active. The data bus is in an output status when this signal is "L". • When connected to 6800 series MPU, this pin is treated as the "E" signal of the 6800 MPU and is HIGH-active. This is the enable clock input terminal of the 6800 Series MPU.</p>															
26	/WR(R/W)	<p>When connected to 8080 series MPU, this pin is treated as the "/WR" signal of the 8080 MPU and is LOW-active. The signals on the data bus are latched at the rising edge of the /WR signal. • When connected to 6800 series MPU, this pin is treated as the "R/W" signal of the 6800 MPU and decides the access type : When R/W = "H": Read. When R/W = "L": Write.</p>															
27	A0	<p>This is connect to the least significant bit of the normal MPU address bus, and it determines whether the data bits are data or command. A0 = "H": Indicates that D0 to D7 are display data. A0 = "L": Indicates that D0 to D7 are control data.</p>															
28	RST	<p>When RST is set to "L", the register settings are initialized (cleared). The reset operation is performed by the RST signal level.</p>															

29	CS1B	This is the chip select signal. When CS1B = "L"
30	ESD	Ground.
31	A	Supply voltage for backlight LED+
32	K	Supply voltage for backlight LED-

6. BACKLIGHT ELECTRICAL/OPTICAL SPECIFICATIONS

Item	Symbol	min.	typ.	max.	Unit	Condition
Forward Voltage	Vf	2.6	3	3.4	V	If= 45 mA
Power Dissipation	Pd	-	-	153	mW	If= 45 mA
Luminous Uniformity	ΔL_v	70			%	MIN/MAX*100%
Luminance	Lv		800		cd/m ²	If= 45 mA T= 25°C
Color Coordinate	X	0.26		0.33		
	Y	0.23		0.30		
LED Lifetime		50000H				

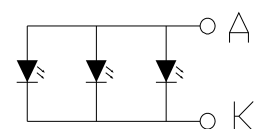


Remarks:

1. Unmarked tolerance is ±0.2
2. All materials comply with RoHs
3. ...:critical dimension.

Circuit Diagram

Color: WHITE



7. MAXIMUM ABSOLUTE LIMIT

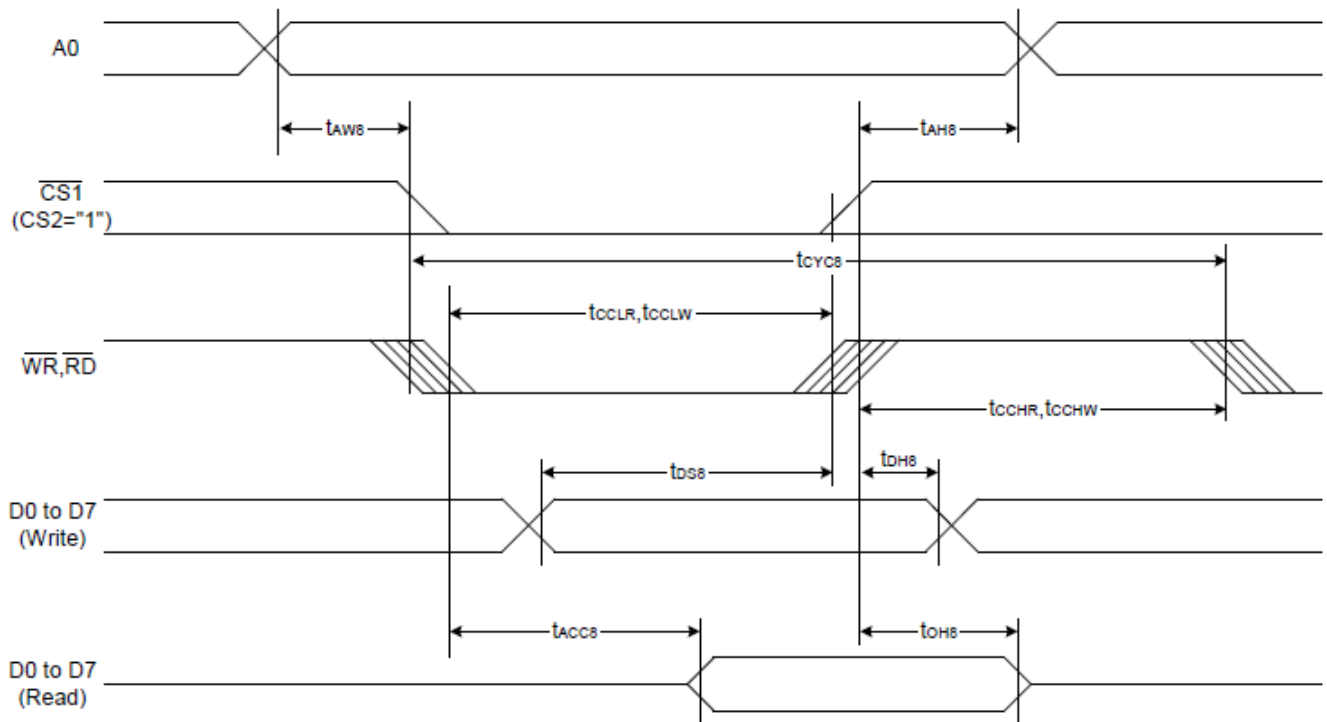
Characteristic		Symbol	Conditions	Unit
Power Supply Voltage		VDD	-0.3 ~ 3.6	V
Power Supply Voltage (VDD standard)		VDD2	-0.3 ~ 3.6	V
Power Supply Voltage (VDD standard)		V0, VOUT	-0.3 ~ 13.5	V
Power Supply Voltage (VDD standard)		V1, V2, V3, V4	-0.3 to V0	V
Operating Temperature		TOPR	-20 to +70	°C
Storage Temperature	Bare chip	TSTR	-30 to +80	°C

8. ELECTRICAL CHARACTERISTICS**8-1. DC Characteristics**

Item	Symbol	Min	Typ	Max	Condition	Unit	Remark
Operating voltage	V _{DD}	2.7	3.0	3.3		V	
LCD driving voltage	V _{LCD}	9.7	10	10.3	-	V	
Operating current	I _{DD}	---	TBD	---		mA	

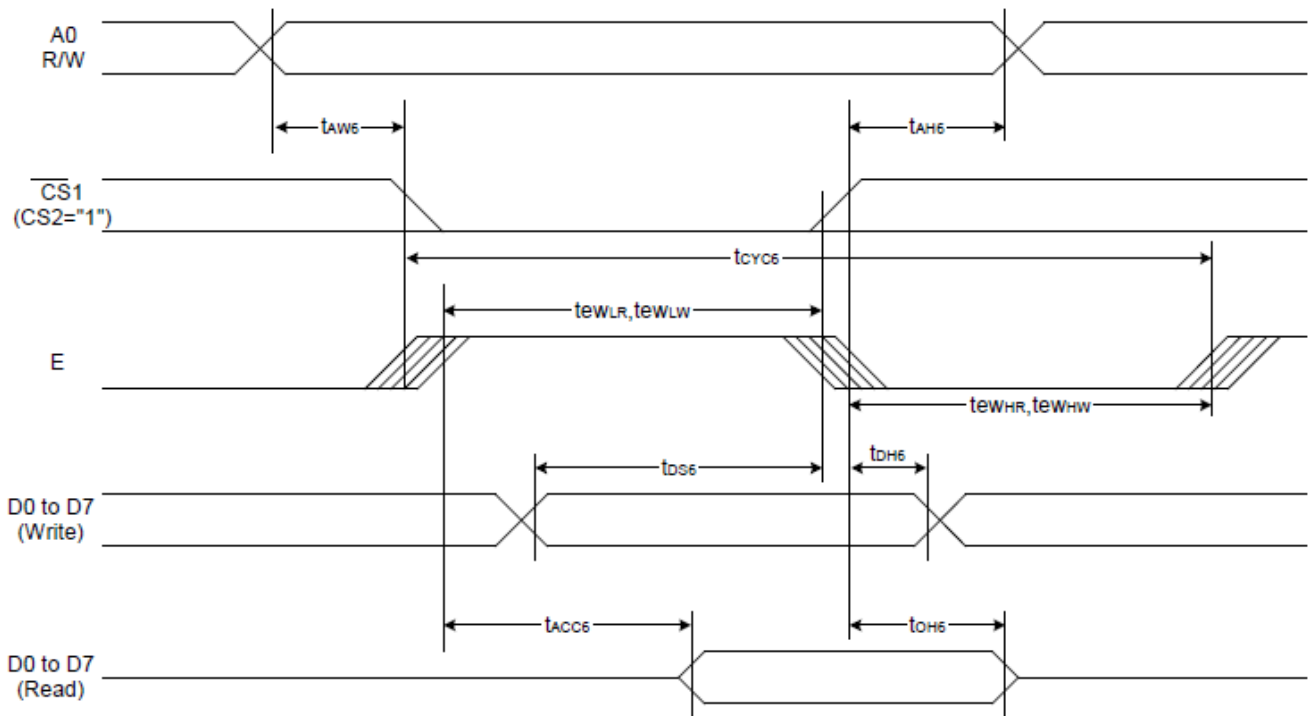
8-2. AC Characteristics

System Bus Read/Write Characteristics 1 (For the 8080 Series MPU)



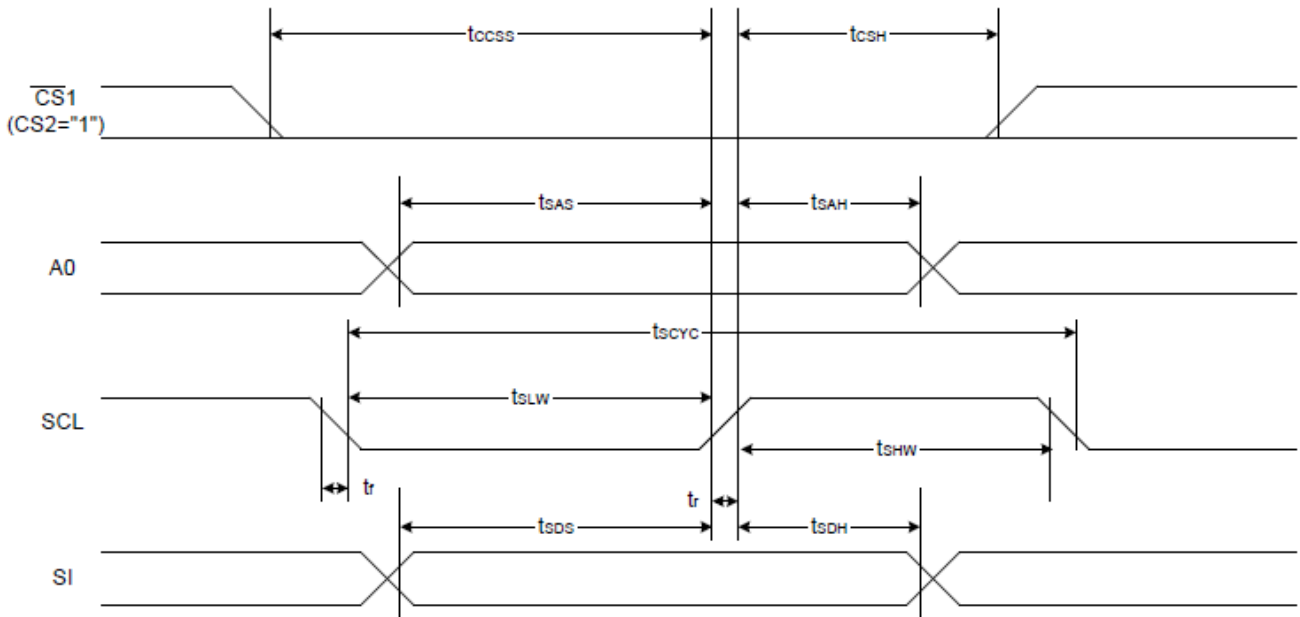
Item	Signal	Symbol	Condition	Rating		Units
				Min.	Max.	
Address hold time	A0	tAH8		0	—	Ns
Address setup time		tAW8		0	—	
System cycle time		tCYC8		240	—	
Enable L pulse width (WRITE)	WR	tCCLW		80	—	
Enable H pulse width (WRITE)		tCCHW		80	—	
Enable L pulse width (READ)	RD	tCCLR		140	—	
Enable H pulse width (READ)		tCCHR		80	—	
WRITE Data setup time	D0 to D7	tDS8		40	—	
WRITE Address hold time		tDH8		0	—	
READ access time		tACC8	CL = 100 pF	—	70	
READ Output disable time		tOH8	CL = 100 pF	5	50	

System Bus Read/Write Characteristics 2 (For the 6800 Series MPU)



Item	Signal	Symbol	Condition	Rating		Units
				Min.	Max.	
Address hold time	A0	t _{AH6}		0	—	ns
Address setup time		t _{AW6}		0	—	
System cycle time		t _{CYC6}		240	—	
Enable L pulse width (WRITE)	WR	t _{EWLW}		80	—	
Enable H pulse width (WRITE)		t _{EWHW}		80	—	
Enable L pulse width (READ)	RD	t _{EWLR}		80	—	
Enable H pulse width (READ)		t _{EWHR}		140	—	
WRITE Data setup time	D0 to D7	t _{DS6}		40	—	
WRITE Address hold time		t _{DH6}		0	—	
READ access time		t _{ACC6}	C _L = 100 pF	—	70	
READ Output disable time		t _{OH6}	C _L = 100 pF	5	50	

The 4-line SPI Interface



Item	Signal	Symbol	Condition	Rating		Units
				Min.	Max.	
4-line SPI Clock Period	SCL	T_{scyc}		50	—	ns
SCL "H" pulse width		T_{shw}		25	—	
SCL "L" pulse width		T_{SLW}		25	—	
Address setup time	A0	T_{sAS}		20	—	
Address hold time		T_{sAH}		10	—	
Data setup time	SI	T_{sDS}		20	—	
Data hold time		T_{sDH}		10	—	
CS-SCL time	CS	T_{css}		20	—	
CS-SCL time		T_{csh}		40	—	

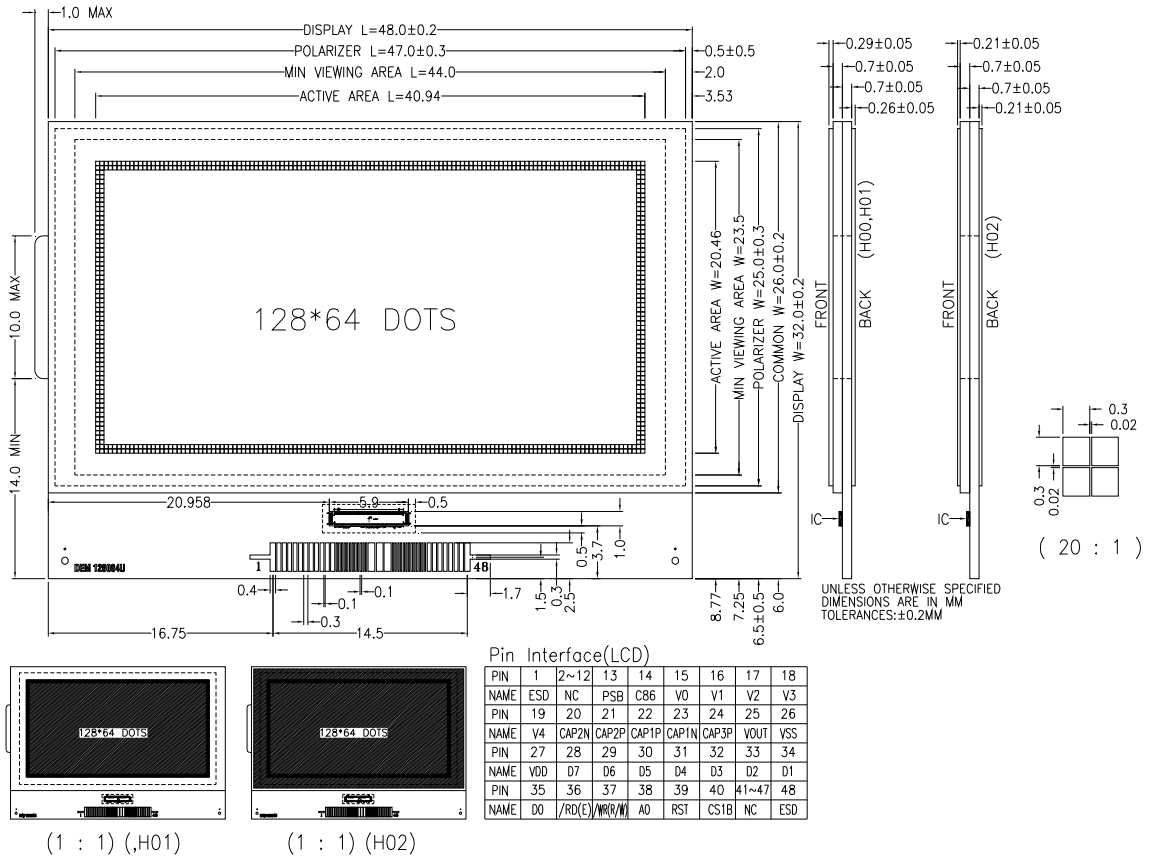
9. INSTRUCTION DESCRIPTION

Instruction Set

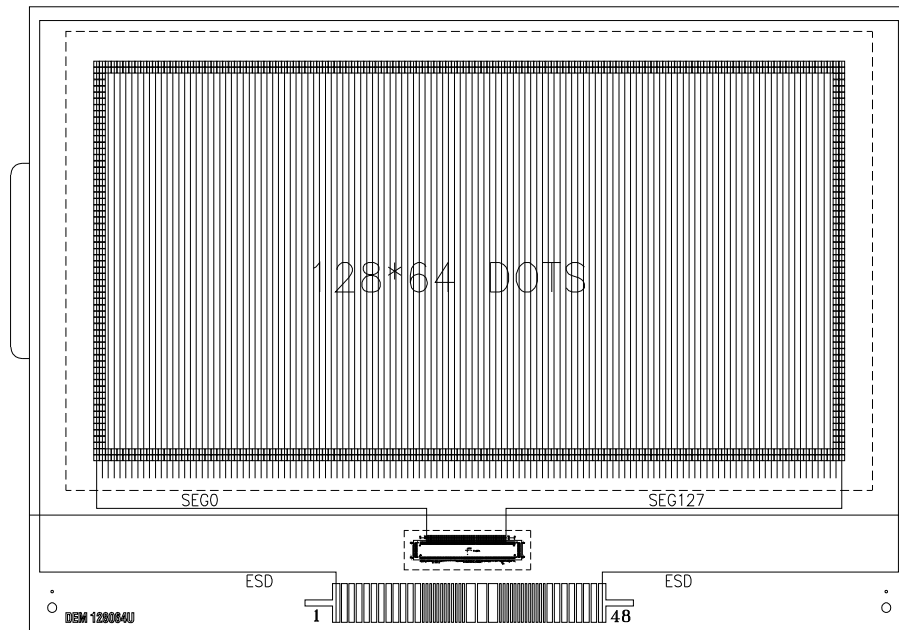
Command	Command Code										Function	
	A0	/RD	/WR	D7	D6	D5	D4	D3	D2	D1		D0
(1) Display ON/OFF	0	1	0	1	0	1	0	1	1	1	0	LCD display ON/OFF 0: OFF, 1: ON
(2) Display start line set	0	1	0	0	1	Display start address					1	Sets the display RAM display start line address
(3) Page address set	0	1	0	1	0	1	1	Page address				Sets the display RAM page address
(4) Column address set upper bit	0	1	0	0	0	0	1	Most significant column address				Sets the most significant 4 bits of the display RAM column address. Sets the least significant 4 bits of the display RAM column address.
Column address set lower bit				0	0	0	0	Least significant column address				
(5) Status read	0	0	1	Status				0	0	0	0	Reads the status data
(6) Display data write	1	1	0	Write data							0	Writes to the display RAM
(7) Display data read	1	0	1	Read data							0	Reads from the display RAM
(8) ADC select	0	1	0	1	0	1	0	0	0	0	0	Sets the display RAM address SEG output correspondence 0: normal, 1: reverse
(9) Display normal/reverse	0	1	0	1	0	1	0	0	1	1	0	Sets the LCD display normal/ reverse 0: normal, 1: reverse
(10) Display all points ON/OFF	0	1	0	1	0	1	0	0	1	0	0	Display all points 0: normal display 1: all points ON
(11) LCD bias set	0	1	0	1	0	1	0	0	0	1	0	Sets the LCD drive voltage bias ratio 0: 1/9 bias, 1: 1/7 bias (ST7565R)
(12) Read-modify-write	0	1	0	1	1	1	0	0	0	0	0	Column address increment At write: +1 At read: 0
(13) End	0	1	0	1	1	1	0	1	1	1	0	Clear read/modify/write
(14) Reset	0	1	0	1	1	1	0	0	0	1	0	Internal reset
(15) Common output mode select	0	1	0	1	1	0	0	0	*	*	*	Select COM output scan direction 0: normal direction 1: reverse direction
(16) Power control set	0	1	0	0	0	1	0	1	Operating mode		0	Select internal power supply operating mode
(17) V ₀ voltage regulator internal resistor ratio set	0	1	0	0	0	1	0	0	Resistor ratio		0	Select internal resistor ratio(Rb/Ra) mode
(18) Electronic volume mode set	0	1	0	1	0	0	0	0	0	0	1	Set the V ₀ output voltage electronic volume register
Electronic volume register set				0	0	Electronic volume value						
(19) Static indicator ON/OFF	0	1	0	1	0	1	0	1	1	0	0	0: OFF, 1: ON Set the flashing mode
Static indicator register set				0	0	0	0	0	0	0	0	
(20) Booster ratio set	0	1	0	1	1	1	1	1	0	0	0	select booster ratio 00: 2x,3x,4x 01: 5x 11: 6x
(21) Power save	0	1	0								step-up value	Display OFF and display all points ON compound command
(22) NOP	0	1	0	1	1	1	0	0	0	1	1	Command for non-operation
(23) Test	0	1	0	1	1	1	1	*	*	*	*	Command for IC test. Do not use this command

10 LCD LAYOUT

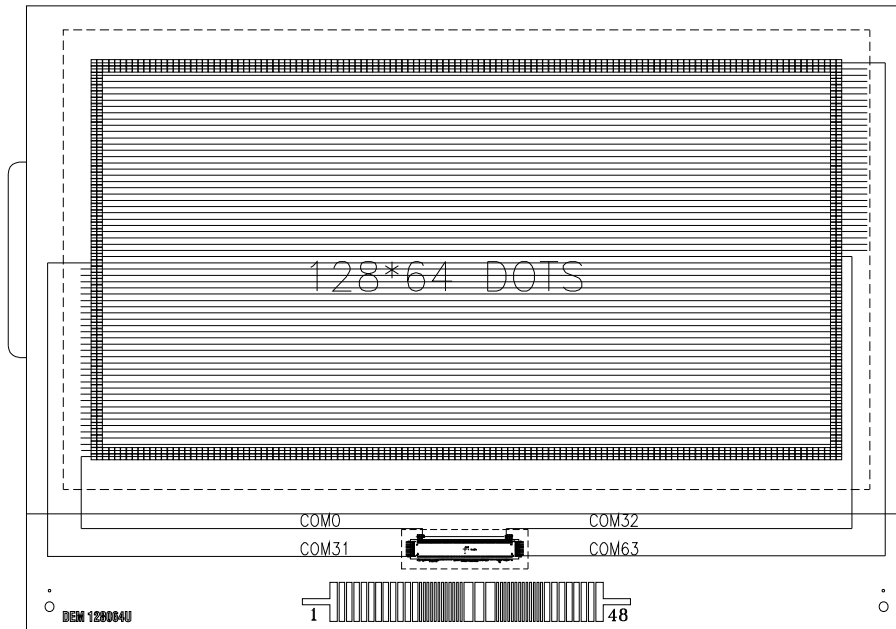
10-1. ARTWORK



10-3. SEG&COM LAYOUT

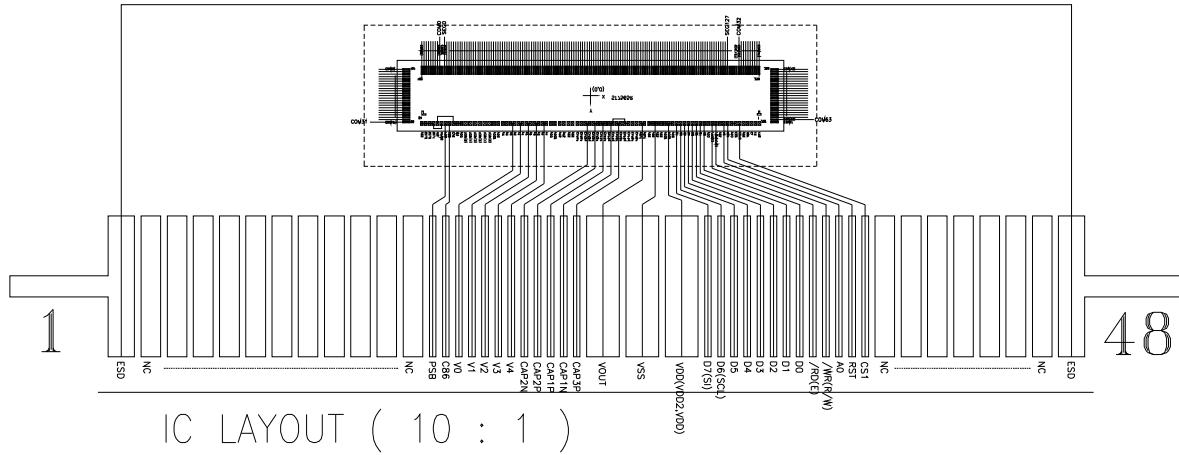


SEG LAYOUT



COM LAYOUT

12. IC LAYOUT



14. MODULE ACCEPT QUALITY LEVEL (AQL)

Inspection Plan: ANSI Z-1.4, Normal Inspection Level II, Single Sampling Plan.

15. RELIABILITY TEST

Operating life time: Longer than 50000 hours

(at room temperature without direct irradiation of sunlight)

Reliability characteristics shall meet following requirements.

TEMPERATURE TESTS	NORMAL GRADE
High Temperature Storage	+80°C x 96hrs
Low Temperature Storage	-30°C x 96hrs
High Temperature Operation	+70°C x 96hrs
Low Temperature Operation	-20°C x 96hrs
High Temperature, High Humidity	+60°C x 90%RH x 96hrs (Without Polarizer)
Thermal Shock	-20°C x 30min 10s ↓ 5Cycles +70°C x 30min
Vibration Test	Frequency x Swing x Time 40Hz x 4mm x 4hrs
Drop Test	Drop height x Times 1.0m x 6times

16. LCD MODULES HANDLING PRECAUTIONS

The display panel is made of glass. Do not subject it to a mechanical shock by dropping it from a high place, etc.

If the display panel is damaged and the liquid crystal substance inside it leaks out, do not get any in your mouth. If the substance come into contact with your skin or clothes promptly wash it off using soap and water.

Do not apply excessive force to the display surface or the adjoining areas since this may cause the color tone to vary.

The polarizer covering the display surface of the LCD module is soft and easily scratched. Handle this polarize carefully.

To prevent destruction of the elements by static electricity, be careful to maintain an optimum work environment.

-Be sure to ground the body when handling the LCD module.

-Tools required for assembly, such as soldering irons, must be properly grounded.

-To reduce the amount of static electricity generated, do not conduct assembly and other work under dry conditions.

-The LCD module is coated with a film to protect the display surface. Exercise care when peeling off this protective film since static electricity may be generated.

Storage precautions

When storing the LCD modules, avoid exposure to direct sunlight or to the light of fluorescent lamps. Keep the modules in bags designed to prevent static electricity charging under low temperature / normal humidity conditions (avoid high temperature / high humidity and low temperatures below 0°C). Whenever possible, the LCD modules should be stored in the same conditions in which they were shipped from our company.

17. OTHERS

Liquid crystals solidify at low temperature (below the storage temperature range) leading to defective orientation of liquid crystal or the generation of air bubbles (black or white). Air bubbles may also be generated if the module is subjected to a strong shock at a low temperature.

If the LCD modules have been operating for a long time showing the same display patterns may remain on the screen as ghost images and a slight contrast irregularity may also appear. Abnormal operating status can be resumed to be normal condition by suspending use for some time. It should be noted that this phenomena does not adversely affect performance reliability.

To minimize the performance degradation of the LCD modules resulting from caused by static electricity, etc. exercise care to avoid holding the following sections when handling the modules:

- Exposed area of the printed circuit board
- Terminal electrode sections