

Display Elektronik GmbH

DATA SHEET

LCD MODULE

DEM 08202 SYH-LY

Product Specification

Version : 3

03.07.2019

GENERAL SPECIFICATION

MODULE NO. :

DEM 08202 SYH-LY

CUSTOMER P/N

VERSION	CHANGE DESCRIPTION	DATE
0	ORIGINAL VERSION	20.07.2005
1.1.0	CHANGE IC (SPLC780D1-001A)	29.11.2007
1.1.1	CHANGE IC (AIP31066L-001)	05.08.2017
2	CORRECT ELECTRO-OPTICAL CHARACTERISTICS	11.08.2017
2.1.0	CHANGE PRODUCTION LINE	10.05.2019
2.1.1	ADD THE CUSTOMER P/N IN THE MODULE DRAWING ON PAGE 3 ADD THE PCB DRAWING AND DESCRIPTION ON PAGE 5	16.05.2019
2.1.2	UPDATE THE MODULE DRAWING ON PAGE 3 CORRECT THE R7=R8=30 OHM ON PAGE 5 UPDATE THE BL DRAWING ON PAGE 6	20.05.2019
3	CHANGE THE BACKLIGHT ELECTRICAL/OPTICAL SPECIFICATION ON PAGE 6	03.07.2019

PREPARED BY: ZJ

DATE: 03.07.2019

APPROVED BY: MHI

DATE: 03.07.2019

CONTENTS

1.FUNCTIONS & FEATURES4

2. MECHANICAL SPECIFICATIONS.....4

3. EXTERNAL DIMENSIONS5

4. BLOCK DIAGRAM.....6

5. PIN ASSIGNMENT.....6

6. PCB DRAWING AND DESCRIPTION7

7. BACKLIGHT ELECTRICAL/OPTICAL SPECIFICATION8

8. MAXIMUM ABSOLUTE POWER RATINGS (TA=-25°C)8

9. ELECTRICAL CHARACTERISTICS.....9

10. CONTROL AND DISPLAY COMMAND11

11. STANDARD CHARACTER PATTERN(.....12

12. QUALITY DESCRIPTION13

13. MODULE ACCEPT QUALITY LEVEL (AQL).....14

14. RELIABILITY TEST.....14

15. LCD MODULES HANDLING PRECAUTIONS15

16. OTHERS.....15

1. FUNCTIONS & FEATURES

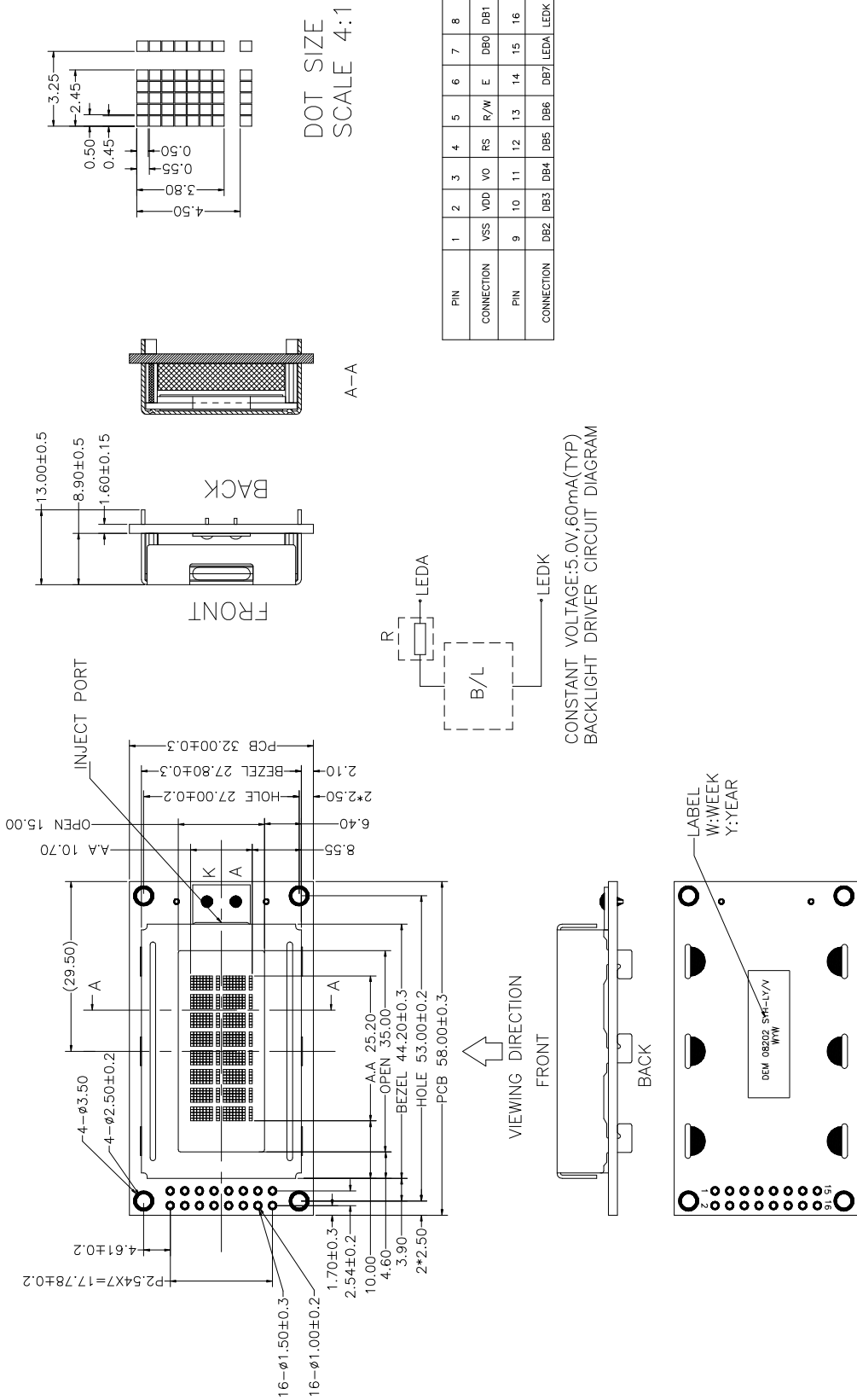
MODULE	LCD TYPE
DEM 08202 SYH-LY	STN Yellow-Green Transflective Positive Mode

- Display Format : 8 x 2 Characters
- Viewing Direction : 6 O'clock
- Driving Scheme : 1/16 Duty Cycle, 1/5 Bias
- Power Supply Voltage(V_{DD}) : 5.0 Volt (typ.)
- LCD Driving Voltage(V_{OP}) : 4.5 Volt (typ.)
- Operation Temperature : -20°C to +70°C
- Storage Temperature : -30°C to +80°C
- Backlight Color : LED, Lightbox, Yellow-Green
- CGROM : CGROM of the ST7066U-0A
- Interface : Easy Interface with a 4-bit or 8-bit MPU

2. MECHANICAL SPECIFICATIONS

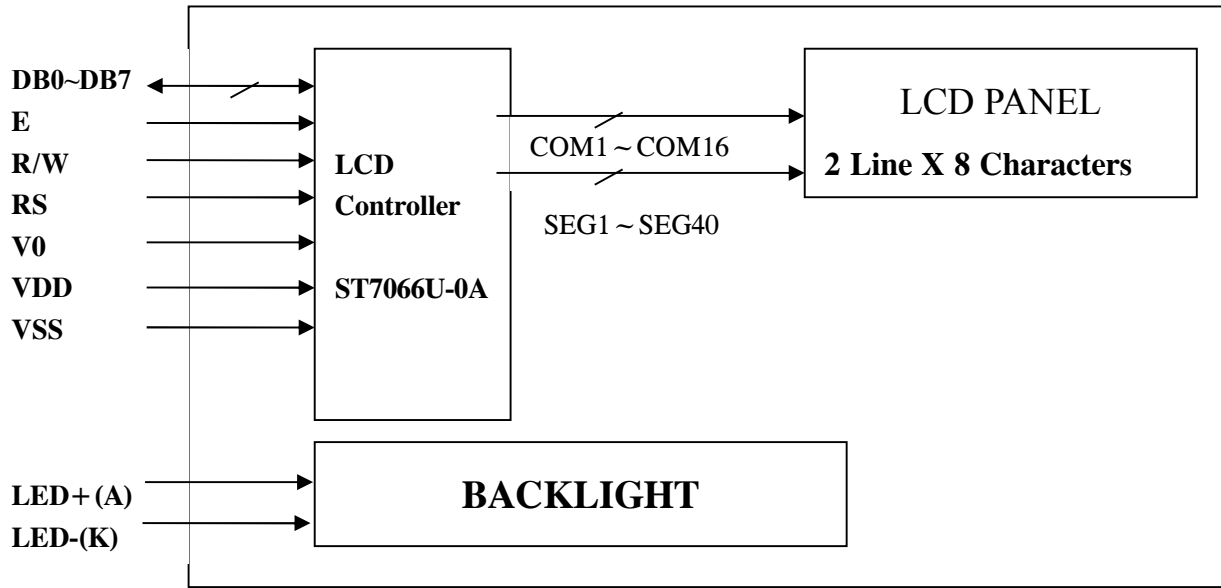
- Module Size : 58.00 x 32.00 x 13.00 mm
- Viewing Area Size : 35.00 x 15.00 mm
- Active Area Size : 25.20(W) x 10.70 (H)mm
- Character Pitch : 3.25 x 4.50mm
- Character Size : 2.45 x 3.80mm
- Dot Pitch : 0.50 x 0.55mm
- Dot Size : 0.45 x 0.50mm

3. EXTERNAL DIMENSIONS



Remarks:
1.Unmarked tolerance is \pm 0.30;
2.All material comply with ROHS;

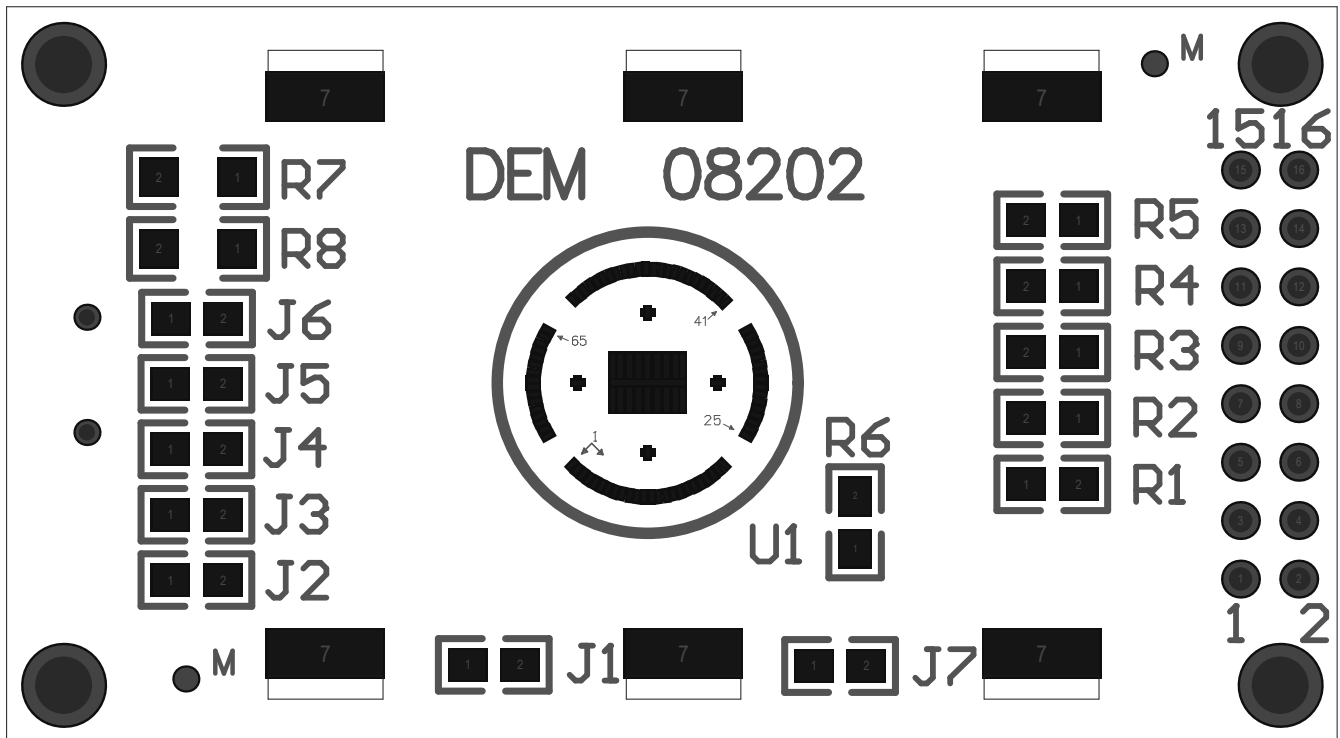
4. BLOCK DIAGRAM



5. PIN ASSIGNMENT

Pin No.	Symbol	Function
1	VSS	Ground
2	VDD	Supply Terminal of Module +5V
3	V0	Power Supply for Liquid Crystal Drive
4	RS	Select Display Data ("1") or Instructions ("0")
5	R/W	Read or Write Select Signal
6	E	Read/Write Enable Signal
7	DB0	Display Data Signal
8	DB1	
9	DB2	
10	DB3	
11	DB4	
12	DB5	
13	DB6	
14	DB7	
15	LED (A)	Power Supply for Backlight (Voltage +5.0V, Current: 60mA (typ.)).
16	LED (K)	Power Supply for Backlight (0V).

6. PCB DRAWING AND DESCRIPTION



Note: The part no. DEM 08202 is printed on the PCB.

6.1 DESCRIPTION:

6-1-1. The polarity of the pin 15 and the pin 16:

LED Polarity(1)	
15 Pin	16Pin
Anode	Cathode
J3=J5=open J2=J4=closed	

LED Polarity(2)	
15 Pin	16 Pin
Cathode	Anode
J3=J5= closed J2=J4= open	

Note: In application module, J3=J5= open and J2=J4=Closed

6-1-2. The metal-bezel is set be on ground when the J1 is closed

Note: In application module, J1= closed

6-1-3. The LED resistor on board are used when J6 is open.

Note: In application module, J6=open

6-1-4. The R7 and the R8 are the LED resistor.

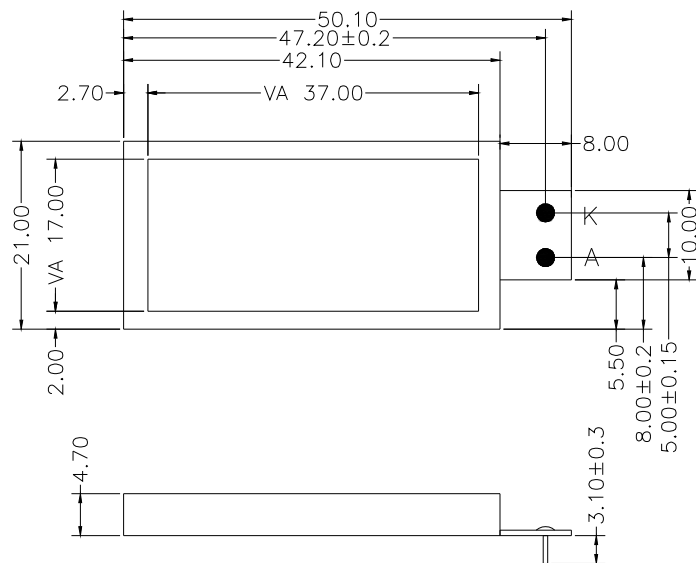
Note: In application module, R7=30 Ohm, R8=30 Ohm

6-1-5. The mounting holes are set on ground when J7 is closed.

Note: on application module, J7=closed

7. BACKLIGHT ELECTRICAL/OPTICAL SPECIFICATION

Item	Symbol	MIN.	TYP.	MAX.	Unit	Condition
Forward Voltage	Vf	3.85	4.05	4.25	V	T=25°C If= 60 mA
Reverse Current	IR	-	600	--	uA	
Wave length (Without LCD)	λ_p	569	572	575	nm	
Luminance(Without LCD)	Lv	125	230	/	cd/m ²	
Uniformity	Avg	75			%	
Color	YELLOW-GREEN					



Remarks:
 1.Unmarked tolerance is ±0.3
 2.All materials comply with RoHs
 3. □...critical dimension.

8. MAXIMUM ABSOLUTE POWER RATINGS (Ta=-25°C)

Item	Symbol	Standard value	Unit
Power Supply Voltage (1)	V _{DD}	-0.3~+7.0	V
Power Supply Voltage (2)	V _{LCD}	V _{DD} -10~V _{DD} +0.3	V
Input Voltage	V _{IN}	-0.3~V _{DD} +0.3	V
Operating Temperature	Topr	-20~+70	°C
Storage Temperature	Tstg	-30~+80	°C

*Voltage greater than above may damage to the Circuit.

$$V_{DD} > V_1 > V_2 > V_3 > V_4 > V_5$$

9. ELECTRICAL CHARACTERISTICS

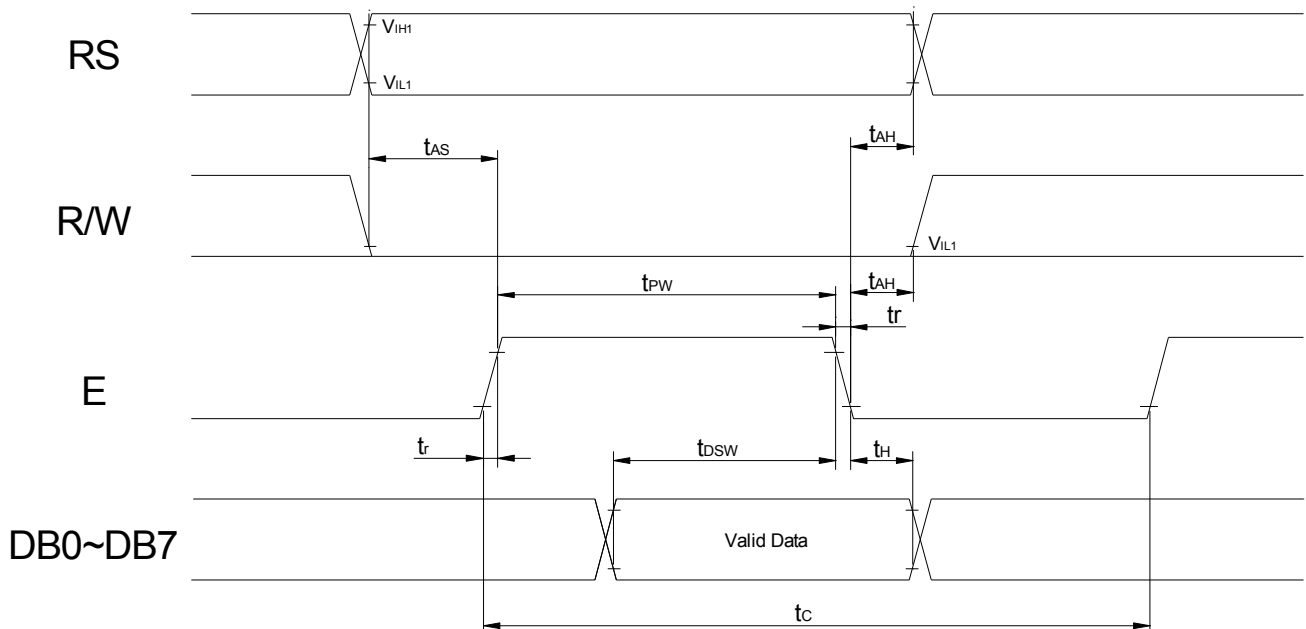
9-1 DC Characteristics(VDD=4.5V~5.5V)

Item	Symbol	Standard Value			Test Condition	Unit
		MIN	TYP	MAX		
Operating Voltage	V _{DD}	4.7	5	5.3	-----	V
Supply Current	I _{DD}	----	TBD	----	VDD=5V, fosc=270kHz	mA
LCD Driving Voltage	VLCD	4.2	4.5	4.8	VDD-V0	V

9-2 AC Characteristics (VDD=4.5V~5.5V)

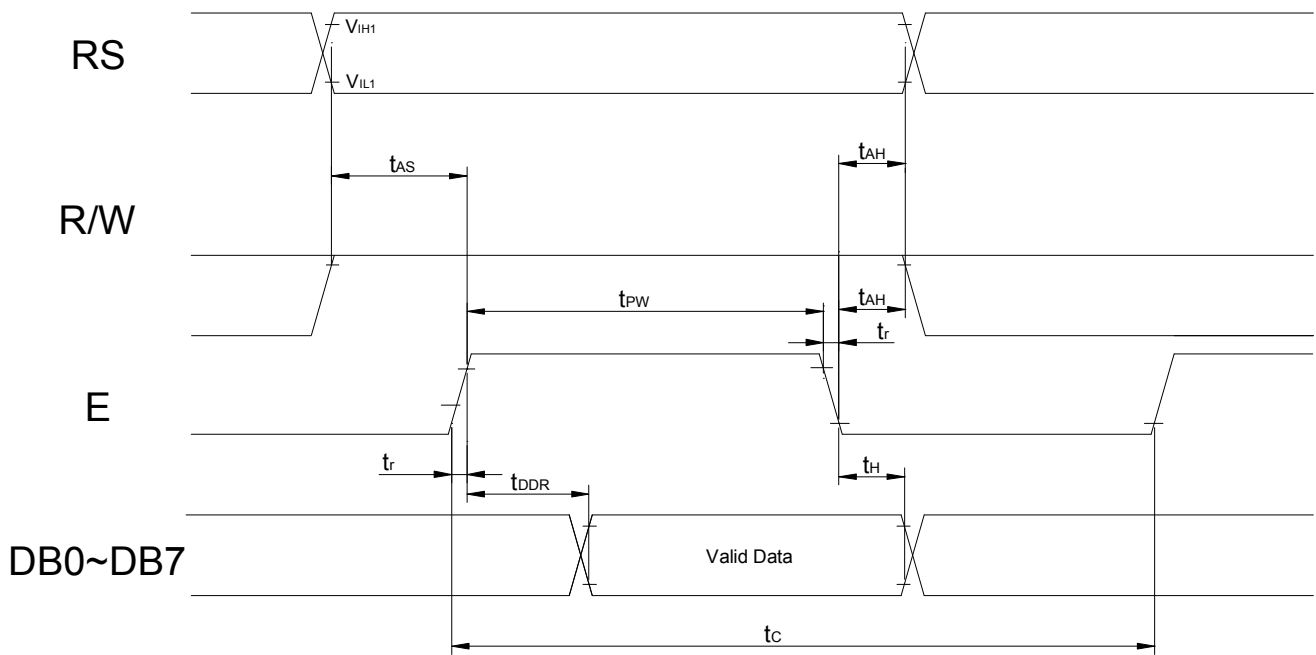
9-2-1 Write Mode

Characteristic	Symbol	Min	Type	Max	Unit	Test PIN
E Cycle Time	t _C	1200	---	---	ns	E
E Rise Time	t _R	---	---	25	ns	E
E Fall Time	t _F	---	---	25	ns	E
E Pulse width (High,Low)	t _W	140	---	---	ns	E
R/W and RS Set-up Time	t _{SU1}	0	---	---	ns	R/W,RS
R/W and RS Hold Time	t _{H1}	10	---	---	ns	R/W,RS
Data Set-up Time	t _{SU2}	40	---	---	ns	DB0~DB7
Data Hold Time	t _{H2}	10	---	---	ns	DB0~DB7



9-2-2 Read Mode

Characteristic	Symbol	Min	Type	Max	Unit	Test PIN
E Cycle Time	t_c	1200	---	---	ns	E
E Rise Time	t_R	---	---	25	ns	E
E Fall Time	t_F	---	---	25	ns	E
E Pulse width (High, Low)	t_w	140	---	---	ns	E
Address Setup Time	t_{SU}	0	---	---	ns	R/W,RS
Address Hold Time	t_H	10	---	---	ns	R/W,RS
Data Setup Time	t_D	---	---	120	ns	DB0~DB7
Data Hold Time	t_{DH2}	10	---	---	ns	DB0~DB7



10. CONTROL AND DISPLAY COMMAND

Command	RS	R/W	DB7	DB6	DB5	DB4	DB3	DB2	DB1	DB0	Execution time (fosc=270KHz)	Remark
Clear Display	0	0	0	0	0	0	0	0	0	1	1.52ms	Write "20H" to DDRAM. And set DDRAM address to "00H" from AC
Return home	0	0	0	0	0	0	0	0	1	x	1.52ms	Set DDRAM address to "00H" from AC and return cursor to its original position if shifted. The contents of DDRAM are not changed.
Entry mode Set	0	0	0	0	0	0	0	1	I/D	S	37us	Sets cursor move direction and specifies display shift. These operations are performed during data write and read.
Display on/off control	0	0	0	0	0	0	1	D	C	B	37us	D=1: entire display on C=1: cursor on B=1: cursor position on
Cursor or Display Shift	0	0	0	0	0	1	S/C	R/L	x	x	37us	Set cursor moving and display shift control bit, and the direction, without changing DDRAM data.
function Set	0	0	0	0	1	DL	N	F	x	x	37us	DL: interface data is 8/4 bits N: number of line is 2/1 F: font size is 5x11/5x8
Set CGRAM address	0	0	0	1	AC5	AC4	AC3	AC2	AC1	AC0	37us	Set CGRAM address in address counter
Set DDRAM address	0	0	1	AC6	AC5	AC4	AC3	AC2	AC1	AC0	37us	Set DDRAM address in address counter
Read busy flag & address	0	1	BF	AC6	AC5	AC4	AC3	AC2	AC1	AC0	0us	Whether during internal operation or not can be known by reading BF. The contents of address counter can also be read.
Write data to RAM	1	0	D7	D6	D5	D4	D3	D2	D1	D0	37us	Write data into internal RAM (DDRAM/CGRAM)
Read data from RAM	1	1	D7	D6	D5	D4	D3	D2	D1	D0	37us	Read data from internal RAM (DDRAM / CGRAM)

Note:

Be sure the ST7066U is not in the busy state (BF=00) before sending an instruction from the MPU to the ST7066U. If an instruction is sent without checking the busy flag, the time between the first instruction and next instruction will take much longer than the instruction time itself. Refer to instruction table for the list of each instruction execution time.

11. STANDARD CHARACTER PATTERN (ST7066U-0A)

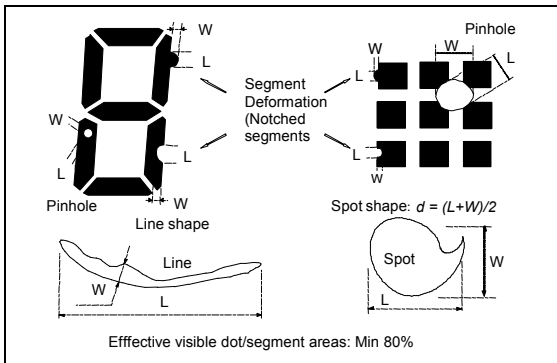
Upper(4bit)		0000	0001	0010	0011	0100	0101	0110	0111	1000	1001	10010	1011	1100	1101	1110	1111
Lower(4bit)	CG RAM																
	(1)																
0000	(1)																
0001	(2)																
0010	(3)																
0011	(4)																
0100	(5)																
0101	(6)																
0110	(7)																
0111	(8)																
1000	(1)																
1001	(2)																
1010	(3)																
1011	(4)																
1100	(5)																
1101	(6)																
1110	(7)																
1111	(8)																

12. QUALITY DESCRIPTION

DEFECT SPECIFICATION:

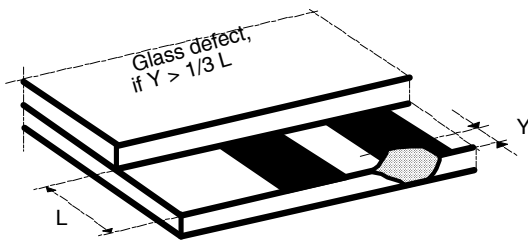
Specific type-related items are covered in this sheet.

- a: Table for Cosmetic defects
 (Note: nc = not counted).
 Sizes and number of defects
 (Max. Qty)



Examples/Shapes

- b: Glass defects
 b1: Glass defects at contact ledge



- b2: Glass chipping in other areas shall not be in conflict with the product's function.

Defect Type	Max. defect size [μm] d or L W	Max. Quantity.
Black or White Spots	$d \leq 100$	nc
	$100 < d \leq 200$	5
Black or White Lines	-- $W \leq 10$	nc
	$L \leq 5000$ $W \leq 30$	3
	$L \leq 2000$ $W \leq 50$	2
Pinhole	$d \leq 100$	nc
	$100 < d \leq 200$	1/segment
(Total defects)		(5)
Segment Deformation	$W \leq 100$	nc
Bubble (e.g. under pola)	$d \leq 150$	nc
	$200 < d \leq 400$	3
	$400 < d \leq 600$	1

13. MODULE ACCEPT QUALITY LEVEL (AQL)

Inspection Plan: ANSI Z-1.4, Normal Inspection Level II, Single Sampling Plan

14. RELIABILITY TEST

Operating life time: Longer than 50000 hours (at room temperature without direct irradiation of sunlight)

Reliability characteristics shall meet following requirements.

TEMPERATURE TESTS	NORMAL GRADE
High Temperature Storage	+80°C x 96hrs
Low Temperature Storage	-30°C x 96hrs
High Temperature Operation	+70°C x 96hrs
Low Temperature Operation	-20°C x 96hrs
High Temperature, High Humidity	+60°C ,95%RH x 96hrs
Thermal Shock	<div style="border: 1px solid black; padding: 5px; display: inline-block;"> -20°C x30min. 10s ↓ 5Cycles +70°C x 30min. </div>
Vibration Test	Frequency x Swing x Time 40Hz x 4mm x 4hrs
Drop Test	Drop height x Times 1.0m x 6times

15. LCD MODULES HANDLING PRECAUTIONS

- Please remove the protection foil of polarizer before using.
- The display panel is made of glass. Do not subject it to a mechanical shock by dropping it from a high place, etc.
- If the display panel is damaged and the liquid crystal substance inside it leaks out, do not get any in your mouth. If the substance come into contact with your skin or clothes promptly wash it off using soap and water.
- Do not apply excessive force to the display surface or the adjoining areas since this may cause the color tone to vary.
- The polarizer covering the display surface of the LCD module is soft and easily scratched. Handle this polarize carefully.
- To prevent destruction of the elements by static electricity, be careful to maintain an optimum work environment.
 - Be sure to ground the body when handling the LCD module.
 - Tools required for assembly, such as soldering irons, must be properly grounded.
 - To reduce the amount of static electricity generated, do not conduct assembly and other work under dry conditions.
 - The LCD module is coated with a film to protect the display surface. Exercise care when peeling off this protective film since static electricity may be generated.
- Storage precautions
When storing the LCD modules, avoid exposure to direct sunlight or to the light of fluorescent lamps. Keep the modules in bags designed to prevent static electricity charging under low temperature / normal humidity conditions (avoid high temperature / high humidity and low temperatures below 0°C). Whenever possible, the LCD modules should be stored in the same conditions in which they were shipped from our company.

16. OTHERS

- Liquid crystals solidify at low temperature (below the storage temperature range) leading to defective orientation of liquid crystal or the generation of air bubbles (black or white). Air bubbles may also be generated if the module is subjected to a strong shock at a low temperature.
- If the LCD modules have been operating for a long time showing the same display patterns may remain on the screen as ghost images and a slight contrast irregularity may also appear. Abnormal operating status can be resumed to be normal condition by suspending use for some time. It should be noted that this phenomena does not adversely affect performance reliability.
- To minimize the performance degradation of the LCD modules resulting from caused by static electricity, etc. exercise care to avoid holding the following sections when handling the modules:
 - Exposed area of the printed circuit board
 - Terminal electrode sections